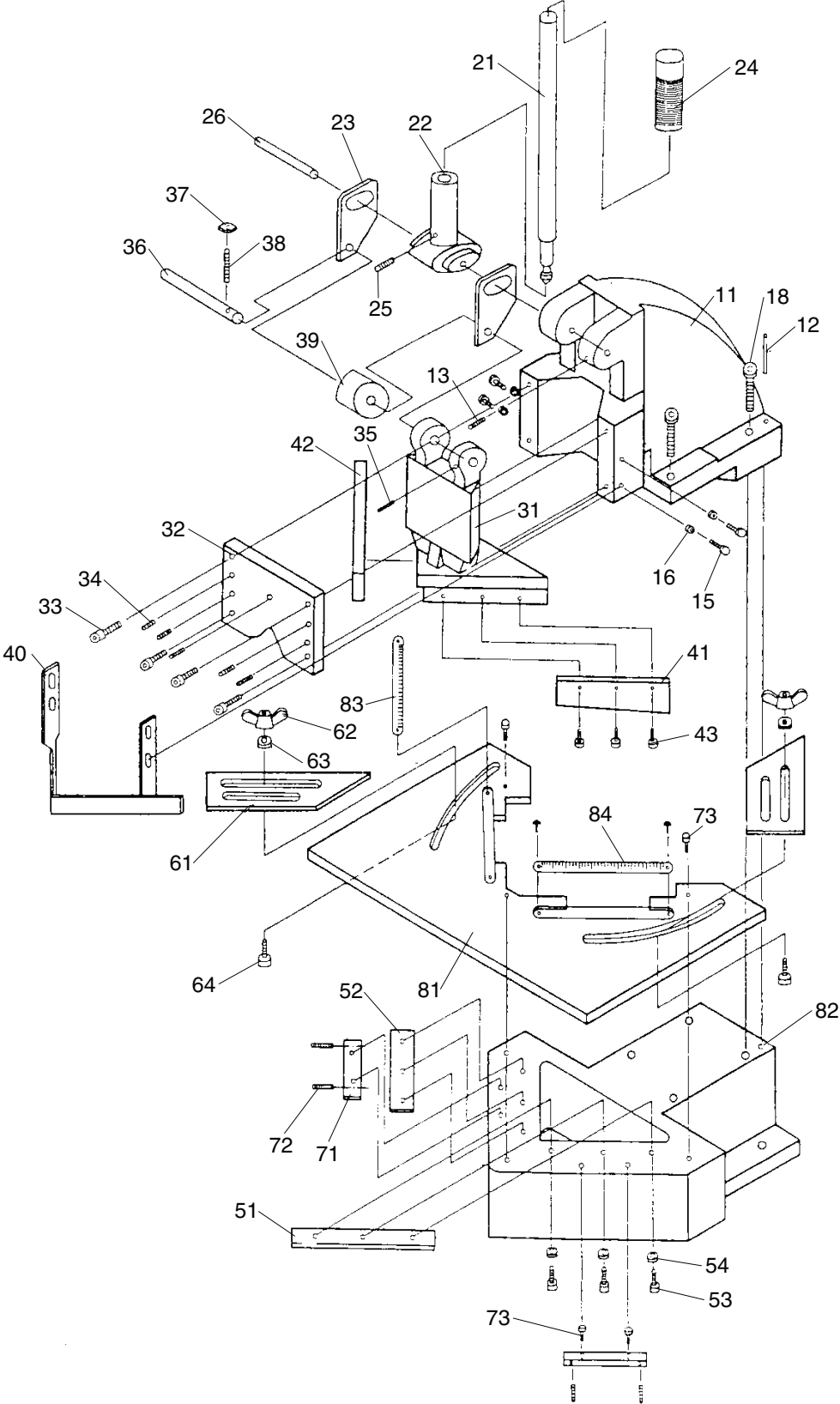


# SECTION 7: PARTS

## Parts Breakdown

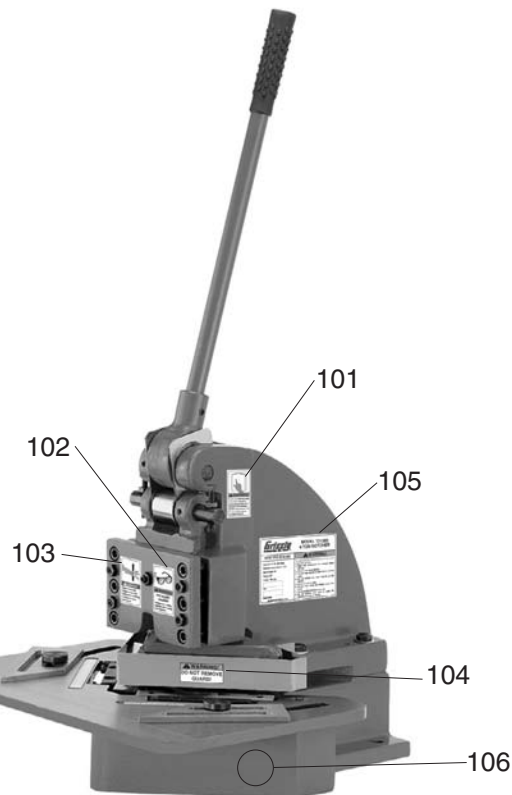


# Parts List

REF	PART #	DESCRIPTION
11	PT21383011	MACHINE BODY
12	PRP34M	ROLL PIN 6 X 55
13	PCAP02M	CAP SCREW M6-1 X 20
15	PCAP26M	CAP SCREW M6-1 X 12
16	PW03M	FLAT WASHER 6MM
18	PB125M	HEX BOLT M12-1.75 X 65
21	PT21383021	ACTUATOR LEVER
22	PT21383022	ACTUATOR CAM
23	PT21383023	LINK PLATE
24	PT21383024	LEVER GRIP
25	PSS16M	SET SCREW M8-1.25 X 10
26	PT21383026	ACTUATOR CAM SHAFT
31	PT21383031	NOTCHING RAM
32	PT21383032	FRONT COVER
33	PCAP31M	CAP SCREW M8-1.25 X 25
34	PSS09M	SET SCREW M8-1.25 X 20
35	PSS91M	SET SCREW M6-1 X 14
36	PT21383036	CAM ROLLER PIN
37	PN03M	HEX NUT M8-1.25
38	PSS44M	SET SCREW M8-1.25 X 40

REF	PART #	DESCRIPTION
39	PT21383039	SHAFT BUSHING
40	PT21383040	FENCE GUARD
41	PT21383041	RIGHT UPPER BLADE
42	PT21383042	LEFT UPPER BLADE
43	PCAP64M	CAP SCREW M10-1.5 X 25
51	PT21383051	RIGHT LOWER BLADE
52	PT21383052	LEFT LOWER BLADE
53	PCAP31M	CAP SCREW M8-1.25 X 25
54	PW01M	FLAT WASHER 8MM
61	PT21383061	WORK STOP
62	PWN04M	WING NUT M10-1.5
63	PW04M	FLAT WASHER 10MM
64	PCAP47M	CAP SCREW M10-1.5 X 40
71	PT21383071	BLADE POSITIONING BLOCK
72	PSS25M	SET SCREW M6-1 X 20
73	PCAP14M	CAP SCREW M8-1.25 X 20
81	PT21383081	WORK TABLE
82	PT21383082	BASE
83	PT21383083	LEFT SCALE
84	PT21383084	RIGHT SCALE

# Labels Breakdown & List



REF	PART #	DESCRIPTION
101	PLABEL-12C	READ MANUAL LABEL
102	PLABEL-11B	SAFETY GLASSES LABEL
103	PT21383103	FINGER SHEARING LABEL

REF	PART #	DESCRIPTION
104	PT21383104	NO GUARD REMOVAL LABEL
105	PT21383105	MACHINE ID LABEL
106	PPAINT-1	GREEN TOUCHUP PAINT

