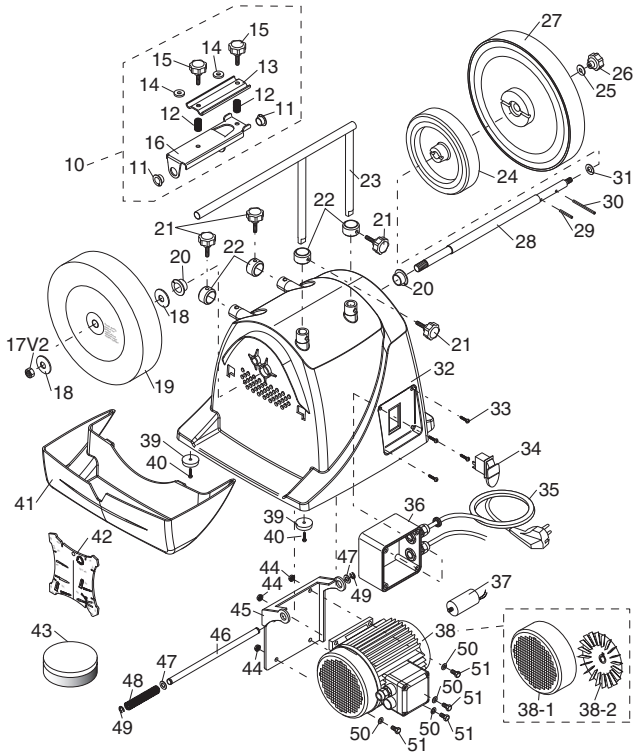


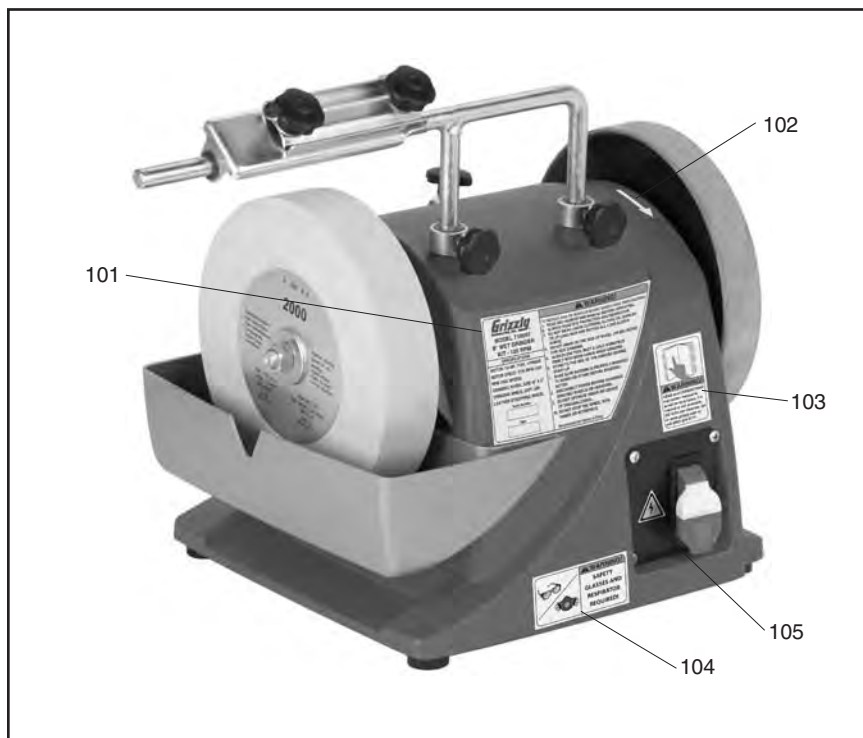
# SECTION 9: PARTS



REF	PART #	DESCRIPTION
10	PT10010039	GRINDING JIG
11	PT10010039-1	BUSHING
12	PT10010039-2	COMPRESSION SPRING
13	PT10010039-3	CLAMP PLATE
14	PW03M	FLAT WASHER 6MM
15	PT10010039-5	KNOB M6-1 X 16
16	PT10010039-6	BASE PLATE
17V2	PN09M	HEX NUT M12-1.75
18	PW06M	FLAT WASHER 12MM
19	PT10097019	GRINDING WHEEL
20	PT10097020	ARBOR BUSHING
21	PT10010039-5	KNOB M6-1 X 16
22	PT10097022	LOCK COLLAR
23	PT10010003	TOOL REST
24	PT10097024	DRIVE WHEEL
25	PW01M	FLAT WASHER 8MM
26	PT10097026	KNOB M8-1.25
27	PT10010012	STROPPING WHEEL
28	PT10097028	MOTOR SHAFT
29	PRP56M	ROLL PIN 4 X 25
30	PRP23M	ROLL PIN 4 X 44
31	PW06M	FLAT WASHER 12MM

REF	PART #	DESCRIPTION
32	PT10097032	HOUSING
33	PHTEK18	TAP SCREW #10 X 5/8
34	G8988	ON/OFF SWITCH
35	PT10097035	POWER CORD
36	PT10097036	SWITCH HOUSING
37	PC010	S CAPACITOR 10M 250V 1-1/4 x 1-3/4
38	PT10097038	MOTOR 1/8 HP 110V
38-1	PT10097038-1	MOTOR FAN COVER
38-2	PT10097038-2	MOTOR FAN
39	PT10097039	RUBBER FOOT
40	PHTEK36	TAP SCREW #6 X 3/8
41	PT10097041	WATER RESERVOIR
42	PT10097042	ANGLE GUIDE
43	PT10010002	HONING PASTE
44	PN01M	HEX NUT M6-1
45	PT10097045	MOTOR PLATE
46	PT10097046	MOTOR SHAFT
47	PW04M	FLAT WASHER 10MM
48	PT10097048	COMPRESSION SPRING
49	PEC03M	E-CLIP 10MM
50	PW03M	FLAT WASHER 6MM
51	PB83M	HEX BOLT M6-1 X 16

## Warning Labels Breakdown & Parts List



REF PART #	DESCRIPTION
101	PT10097100 MACHINE ID LABEL
102	PT10010101 DIRECTION LABEL
103	PLABEL-12C READ MANUAL 1.5W X 2.5H
104	PT10097103 RESPIRATOR/GLASSES WARNING
105	PLABEL-14B ELECTRICITY WARNING 0.5"

### **⚠️ WARNING**

Safety labels help reduce the risk of serious injury caused by machine hazards. If any label comes off or becomes unreadable, the owner of this machine **MUST** replace it in the original location before resuming operations. For replacements, contact (800) 523-4777 or [www.grizzly.com](http://www.grizzly.com).