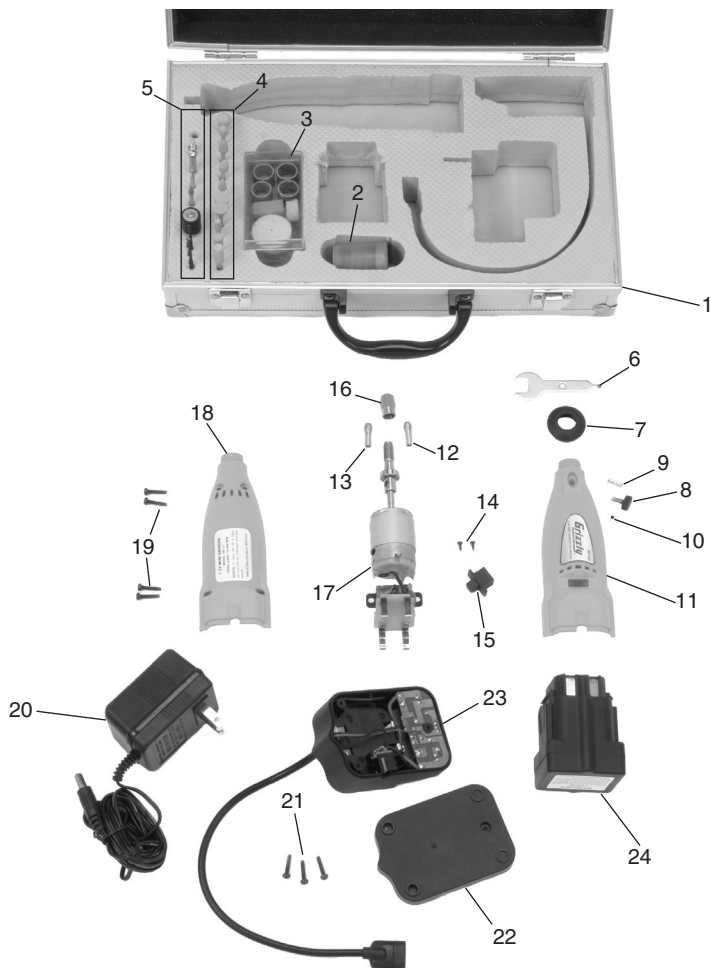


SECTION 5: PARTS LIST



REF	PART #	DESCRIPTION
1	PH8124001	CARRYING CASE
2	PH8124002	SANDING DISC SET
3	PH8124003	ACCESSORY KIT
4	PH8124004	MOUNTED STONE SET
5	PH8124005	ASSORTED BIT SET
6	PH8124006	COLLET NUT WRENCH
7	PH8124007	COLLET SHIELD
8	PH8124008	COLLET LOCK
9	PH8124009	SPRING
10	PH8124010	RETAINING RING
11	PH8124011	HOUSING FRONT HALF
12	PH8124012	COLLET 3/32"

REF	PART #	DESCRIPTION
13	PH8124013	COLLET 1/8"
14	PH8124014	TAP SCREW 2 X 5
15	PH8124015	SWITCH COVER
16	PH8124016	COLLET NUT
17	PH8124017	GRINDER MOTOR/SPINDLE ASSY
18	PH8124018	HOUSING BACK HALF
19	PH8124019	TAP SCREW 3 X 12
20	PH8124020	AC/DC ADAPTER 120VAC/9VDC
21	PH8124019	TAP SCREW 3 X 12
22	PH8124022	BATTERY CHARGER BASE
23	PH8124023	BATTERY CHARGER/LED ASSY
24	PH8124024	7.2V NI-CAD BATTERY