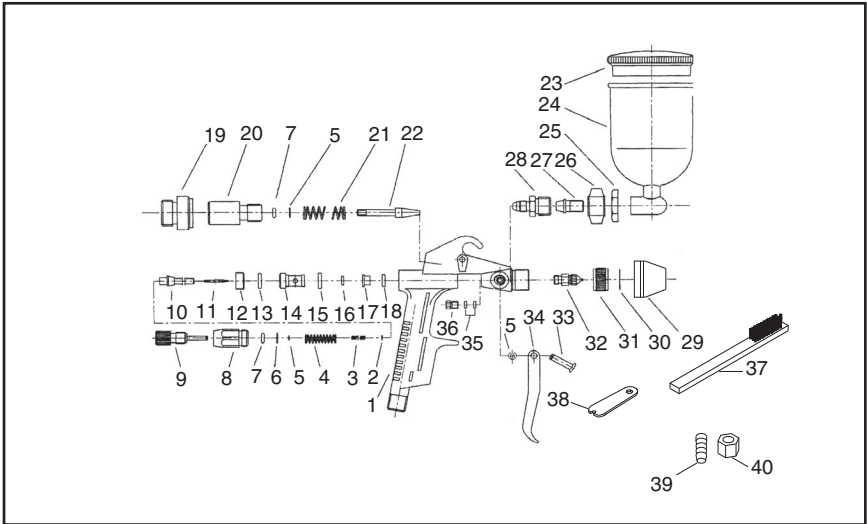


Parts Breakdown H8116



REF	PART #	DESCRIPTION
1	PH8116001	GUN BODY
2	PEC01M	E-CLIP 3MM
3	PH8116003	PAINT SPRING
4	PH8116004	COMPRESSION SPRING
5	PEC14M	E-CLIP 2MM
6	PH8116006	GASKET
7	PH8116007	O-RING 1.5 X 2.5
8	PH8116008	AIR FLOW CONTROL SEAT
9	PH8116009	AIR FLOW CONTROL BOLT
10	PH8116010	SPRING SLEEVE
11	PH8116011	NEEDLE
12	PH8116012	NOZZLE BOLT
13	PH8116013	O-RING 7 X 2
14	PH8116014	VALVE
15	PH8116015	VALVE GASKET
16	PH8116016	O-RING 3.5 X 1.5
17	PH8116017	LINER RING
18	PH8116018	FOAM GASKET
19	PH8116019	WIDTH ADJUSTING SEAT
20	PH8116020	WIDTH ADJUSTING BOLT

REF	PART #	DESCRIPTION
21	PH8116021	COMPRESSION SPRING
22	PH8116022	WIDTH NEEDLE
23	PH8116023	LID
24	PH8116024	CUP
25	PH8116025	SLIM NUT
26	PH8116026	HELIX NUT
27	PH8116027	PAINT INLET MOUTH
28	PH8116028	PAINT INLET PLUG
29	PH8116029	ATOMIZING CAP
30	PH8116030	SLIM GASKET
31	PH8116031	ROUND NUT
32	PH8116032	FLUID TIP
33	PH8116033	TRIGGER PIN
34	PH8116034	TRIGGER
35	PH8116035	GASKET
36	PH8116036	GUIDE BOLT
37	PH8116037	CLEANING BRUSH
38	PH8116038	SERVICE WRENCH
39	PH8116039	BARBED HOSE FITTING
40	PH8116040	LOCK NUT