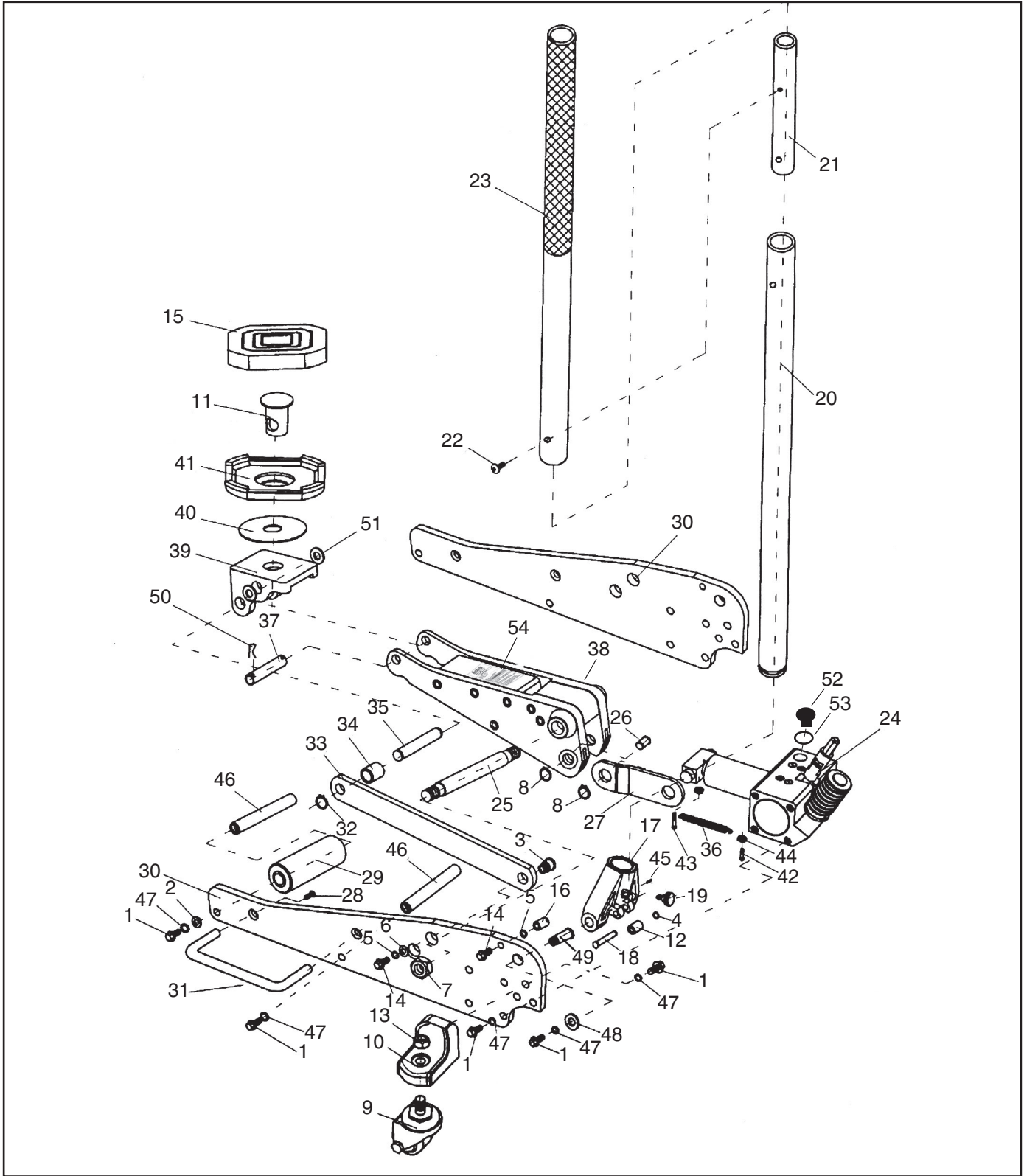


H8097 Parts Breakdown



⚠ WARNING

The machine label warns about hazards and ways to prevent injury. The owner of the jack **MUST** maintain the original location and readability of the label. If the label is removed or becomes unreadable, contact Grizzly at (800) 523-4777 or www.grizzly.com to order a new label.

H8097 Parts List

REF	PART #	DESCRIPTION
1	PH8097001	FLANGE BOLT M10-1.5 X 25
2	PW04M	FLAT WASHER 10MM
3	PH8097003	LINK ROD AXIS
4	PR39M	EXT RETAINING RING 8MM
5	PH8097005	SPECIAL WASHER 8MM
6	PW01M	FLAT WASHER 8MM
7	PH8097007	LOCK NUT M20-1.5
8	PR08M	EXT RETAINING RING 19MM
9	PH8097009	REAR WHEEL SET
10	PH8097010	REAR WHEEL SADDLE
11	PH8097011	HOLDER AXIS
12	PH8097012	DOUBLE PISTON PRESS WHEEL
13	PLN09M	LOCK NUT M12-1.75
14	PH8097014	FLANGE BOLT M8-1.25 X 25
15	PH8097015	RUBBER SADDLE PAD
16	PH8097016	SCREW BUSHING
17	PH8097017	HANDLE BASE
18	PH8097018	PRESS WHEEL SHAFT
19	PH8097019	HANDLE BASE SPECIAL SCREW
20	PH8097020	LOWER HANDLE
21	PH8097021	JOINT CONNECTOR
22	PSBS18M	BUTTON HD CAP SCR M6-1 X 18
23	PH8097023	UPPER HANDLE
24	PH8097024	PUMP ASSEMBLY
25	PH8097025	RAISE ARM AXIS
26	PH8097026	PULL ROD AXIS
27	PH8097027	PULL ROD

REF	PART #	DESCRIPTION
28	PB07M	HEX BOLT M8-1.25 X 25
29	PH8097029	FRONT ROLLER
30	PH8097030	FRAME
31	PH8097031	HANDLE BAR
32	PR06M	EXT RETAINING RING 16MM
33	PH8097033	LINK ROD
34	PH8097034	LINK ROD SLEEVE
35	PH8097035	LONG SADDLE AXIS
36	PH8097036	SPRING
37	PH8097037	SHORT SADDLE AXIS
38	PH8097038	LIFT ARM
39	PH8097039	SADDLE BASE
40	PH8097040	NYLON WASHER
41	PH8097041	SADDLE
42	PH8097042	EYE BOLT M6-1 X 18
43	PH8097043	EYE BOLT M6 -1 X 40
44	PN01M	HEX NUT M6-1
45	PH8097045	SPECIAL NUT 3 X 14MM
46	PH8097046	AXIS
47	PH8097047	SPECIAL WASHER 10MM
48	PW04M	FLAT WASHER 10MM
49	PH8097049	SOCKET SHAFT
50	PH8097050	HAIR PIN COTTER PIN
51	PW08M	FLAT WASHER 16MM
52	PH8097052	OIL FILL PLUG
53	PH8097053	FILL PLUG WASHER
54	PH8097054	MACHINE LABEL