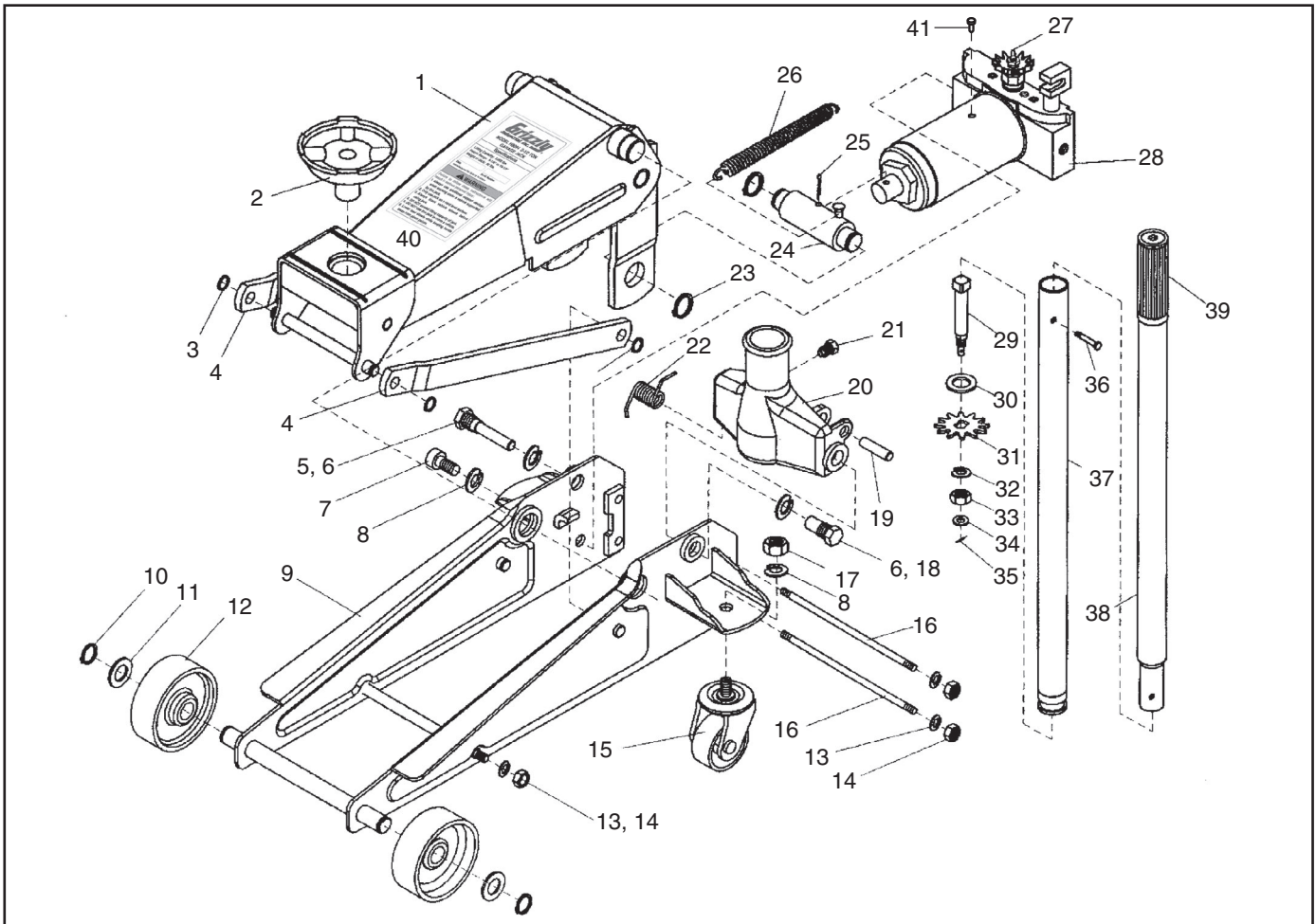


H8094 Parts Breakdown and List



REF	PART #	DESCRIPTION
1	PH8094001	LIFTING ARM ASSEMBLY
2	PH8094002	SADDLE
3	PR03M	EXT RETAINING RING 12MM
4	PH8094004	LINK ROD
5	PH8094005	RIGHT CONNECTING BOLT
6	PLW12M	LOCK WASHER 18MM
7	PH8094007	BUTTON HD CAP SCR M12-1.75 X 25
8	PLW05M	LOCK WASHER 12MM
9	PH8094009	FRAME
10	PR07M	EXT RETAINING RING 18MM
11	PH8094011	FENDER WASHER 18MM
12	PH8094012	FRONT WHEEL
13	PLW04M	LOCK WASHER 8MM
14	PN03M	HEX NUT M8-1.25
15	PH8094015	REAR CASTER ASSEMBLY
16	PH8094016	SUPPORT ROD
17	PN09M	HEX NUT M12-1.75
18	PH8094018	LEFT CONNECTING BOLT
19	PH8094019	PUMP CORE PIN
20	PH8094020	HANDLE SOCKET
21	PB49M	HEX BOLT M12-1.75 X 20

REF	PART #	DESCRIPTION
22	PH8094022	TORSION SPRING
23	PR11M	EXT RETAINING RING 25MM
24	PH8094024	BRACE ROD
25	PH8094025	COTTER PIN 4 X 50MM
26	PH8094026	EXTENSION SPRING
27	PH8094027	CONCAVE GEAR
28	PH8094028	PUMP ASSEMBLY
29	PH8094029	GEAR AXLE
30	PW08M	FLAT WASHER 16MM
31	PH8094031	FLAT GEAR
32	PLW06M	LOCK WASHER 10MM
33	PH8094033	HEX NUT 10-1.5
34	PW01M	FLAT WASHER 8MM
35	PH8094035	COTTER PIN 2 X 12MM
36	PB52M	HEX BOLT M6-1 X 35
37	PH8094037	LOWER HANDLE
38	PH8094038	UPPER HANDLE
39	PH8094039	HANDLE SLEEVE
40	PH8094040	MACHINE ID LABEL
41	PH8094041	FILL PLUG

⚠ WARNING

The machine ID label warns about hazards and ways to prevent injury. The owner of the jack **MUST** maintain the original location and readability of the label. If the label is removed or becomes unreadable, contact Grizzly at (800) 523-4777 or www.grizzly.com to order a new label.