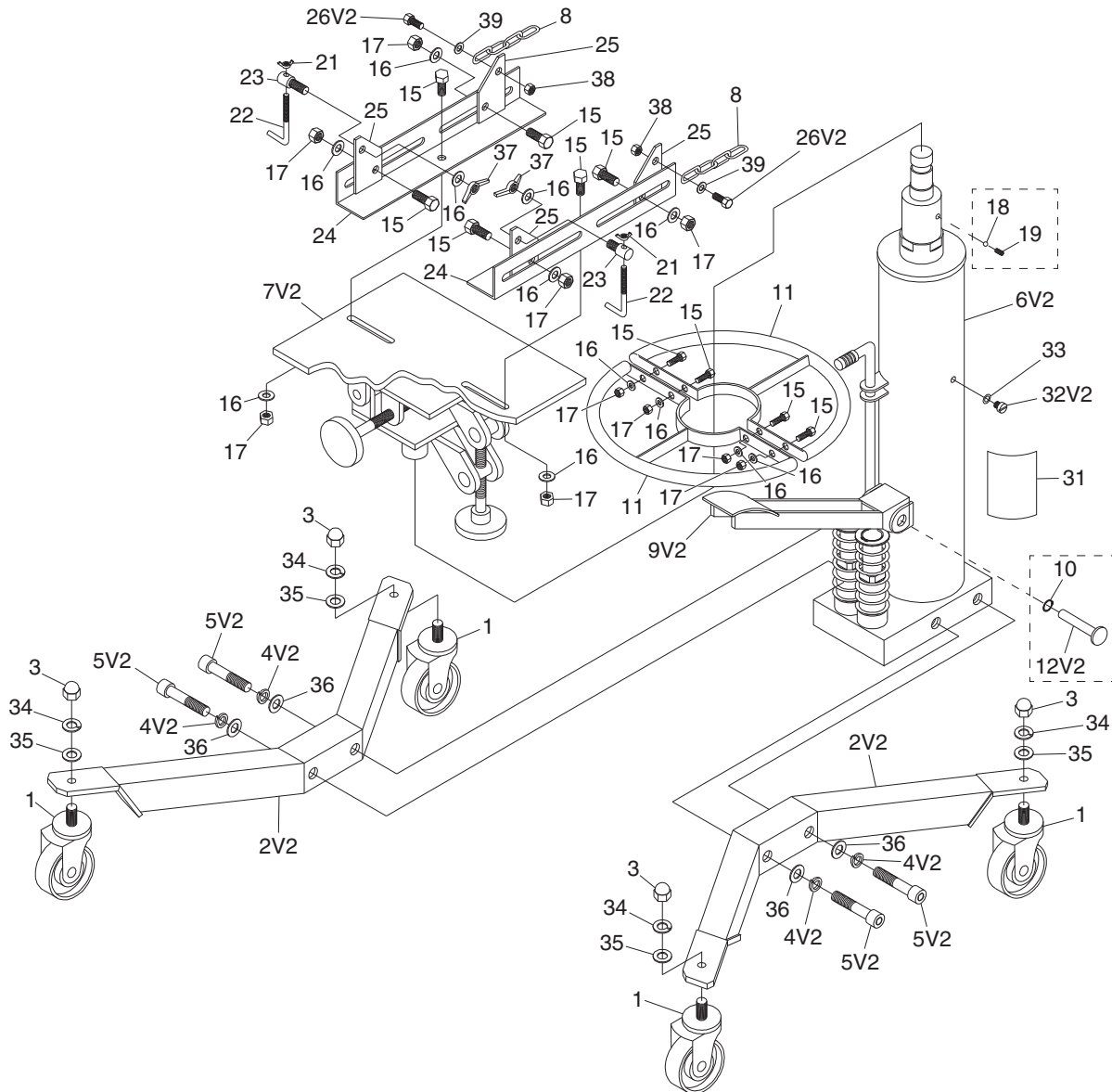


H8088 Parts Breakdown and Parts List



REF	PART #	DESCRIPTION
1	PH8088001	CASTER WHEEL M12-1.75 X 25 STUD
2V2	PH8088002V2	LEG V2.01.11
3	PH8088003	ACORN NUT M12-1.75
4V2	PH8088004V2	LOCK WASHER 16MM
5V2	PH8088005V2	CAP SCREW M16-2 X 75
6V2	PH8088006V2	PUMP ASSEMBLY V2.01.11
7V2	PH8088007V2	PLATFORM ASSEMBLY V2.01.11
8	PH8088008	CHAIN 9MM ID, 28 LINK
9V2	PH8088009V2	FOOT PEDAL V2.01.11
10	PH8088010	EXT RETAINING RING 16MM
11	PH8088011	HALF-CIRCLE HANDLE
12V2	PH8088012V2	FOOT PEDAL PIN 16 X 60MM V2.01.11
15	PH8088015	HEX BOLT M10-1.5 X 25
16	PH8088016	FLAT WASHER 10MM
17	PH8088017	HEX NUT M10-1.5
18	PH8088018	STEEL BALL 5MM

REF	PART #	DESCRIPTION
19	PH8088019	SET SCREW M6-1 X 10
21	PH8088021	WING NUT M8-1.25
22	PH8088022	ANCHOR BOLT M8-1.25 X 108
23	PH8088023	THREADED ROD END M10-1.5 X 14, 16 X 31
24	PH8088024	ANGLE IRON BRACKET
25	PH8088025	CHAIN MOUNT PLATE
26V2	PH8088026V2	HEX BOLT M8-1.25 X 25
31	PH8088031	MACHINE ID LABEL
32V2	PH8088032V2	AIR VENT FILL BOLT M10-1 X 8 V2.01.11
33	PH8088033	O-RING 7.7 X 1.9
34	PH8088034	LOCK WASHER 12MM
35	PH8088035	FLAT WASHER 12MM
36	PH8088036	FLAT WASHER 16MM
37	PH8088037	WING NUT M10-1.5
38	PH8088038	HEX NUT M8-1.25
39	PH8088039	FLAT WASHER 8MM

Please Note: We do our best to stock replacement parts whenever possible, but we cannot guarantee that all parts shown here are available for purchase. Call (800) 523-4777 or visit our online parts store at www.grizzly.com to check for availability.

