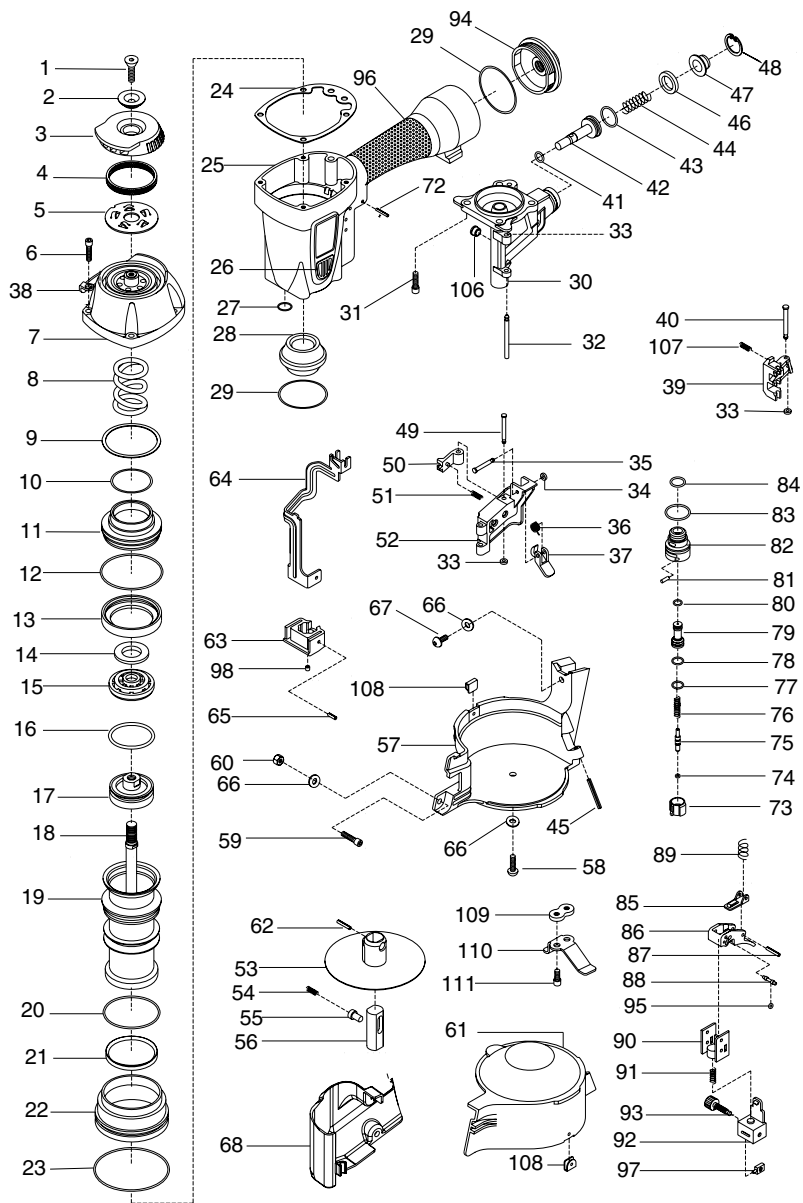


H7951 PARTS BREAKDOWN



*Not Shown: #69 Pallet Tip, #70 Siding Tip, #71 Decking Tip, #99 Nailer Case, #101 Included Pneumatic Oil, #102 Hex Wrench 4mm, #103 Hex Wrench 5mm, #104 Piston Repair Kit, #105 Machine Label.

H7951 PARTS LIST

PAGE 1 OF 2

REF	PART #	DESCRIPTION
1	PFH55M	FLAT HD CAP SCR M6-1 X 20
2	PH7949002	FRONT BRACKET
3	PH7949003	EXHAUST COVER
4	PH7949004	EXHAUST FILTER
5	PH7949005	EXHAUST FILTER PLATE
6	PSB38M	CAP SCREW M5-.8 X 25
7	PH7949007	CAP
8	PH7949008	SPRING
9	PH7949009	WASHER
10	PH7949010	O-RING
11	PH7949011	PISTON HEAD VALVE
12	PH7949012	O-RING
13	PH7949013	SEAL
14	PH7949014	PLAIN WASHER
15	PH7949015	PISTON STOPPER
16	PH7949016	O-RING
17	PH7949017	PISTON
18	PH7951018	DRIVER
19	PH7951019	CYLINDER
20	PH7949020	O-RING
21	PH7949021	CYLINDER RING
22	PH7949022	COLLAR
23	PH7949023	O-RING
24	PH7949024	GASKET
25	PH7949025	BODY
26	PH7949026	PAD
27	PH7949027	O-RING
28	PH7949028	BOTTOM BUMPER
29	PH7949029	O-RING
30	PH7951030	NOSE
31	PSB02M	CAP SCREW M6-1 X 20
32	PH7951032	STEPPED PIN
33	PH7949033	RETAIN RUBBER
34	PH7949034	RETAIN RUBBER
35	PH7951035	STEPPED PIN
36	PH7951036	SPRING
37	PH7951037	DOOR LOCK
38	PH7949038	PROTECTOR
39	PH7951039	FEED PAWL

REF	PART #	DESCRIPTION
40	PH7951040	STEPPED PIN
41	PH7949041	O-RING
42	PH7951042	FEED PISTON
43	PH7949043	O-RING
44	PH7949044	SPRING
45	PRP22M	ROLL PIN 4 X 32
46	PH7949046	FEED PISTON STOP
47	PH7949047	SPRING COLLAR
48	PH7949048	O-RING
49	PH7951049	STEPPED PIN
50	PH7951050	RATCHET
51	PH7949051	SPRING
52	PH7951052	DOOR
53	PH7951053	NAIL SUPPORT
54	PH7949054	SPRING
55	PH7949055	SET SHAFT
56	PH7951056	SLIDE ROD
57	PH7951057	MAGAZINE
58	PSBS09M	BUTTON HD CAP SCR M5-.8 X 12
59	PSB53M	CAP SCREW M5-.8 X 18
60	PLN02M	LOCK NUT M5-.8
61	PH7951061	MAGAZINE COVER
62	PRP42M	ROLL PIN 3 X 20
63	PH7951063	ADJUSTING BLOCK
64	PH7951064	SAFETY LEVER
65	PH7951065	ROLL PIN 3 X 8
66	PW03M	FLAT WASHER 6MM
67	PSBS06M	BUTTON HD CAP SCR M5-.8 X 12
68	PH7951068	NOSE COVER
69	PH7951069	PALLET TIP
70	PH7951070	SIDING TIP
71	PH7951071	DECKING TIP
72	PRP97M	ROLL PIN 3 X 30
73	PH7949073	TRIGGER VALVE CAP
74	PH7949074	O-RING
75	PH7949075	PLUNGER
76	PH7949076	SPRING
77	PH7949077	O-RING
78	PH7949078	O-RING

H7951 PARTS LIST

PAGE 2 OF 2

REF	PART #	DESCRIPTION
79	PH7949079	PILOT VALVE
80	PH7949080	O-RING
81	PH7949081	BALL PIN
82	PH7949082	TRIGGER VALVE HOUSING
83	PH7949083	O-RING
84	PH7949084	O-RING
85	PH7949085	TRIGGER PLATE
86	PH7949086	TRIGGER
87	PRP98M	ROLL PIN 3 X 16
88	PH7949088	SLIDE SHAFT
89	PH7949089	SPRING
90	PH7949090	TRIP GUIDE
91	PH7949091	SPRING
92	PH7949092	CONTACT TRIP BLOCK
93	PH7949093	ADJUSTING BOLT

REF	PART #	DESCRIPTION
94	PH7949094	COVER
95	PH7949095	O-RING
96	PH7949096	RUBBER GRIP
97	PH7949097	ADJUSTING NUT
98	PH7951098	CARBIDE CHIP
99	PH7951099	NAILER CASE
101	PH7949100	INCLUDED PNEUMATIC OIL
102	PAW04M	HEX WRENCH 4MM
103	PAW05M	HEX WRENCH 5MM
104	PH7951104	PISTON REPAIR KIT
105	PH7951105	GRIZZLY LABEL
106	PH9751106	MAGNET
107	PH9751107	SPRING
108	PH9751108	PROTECT PLATE