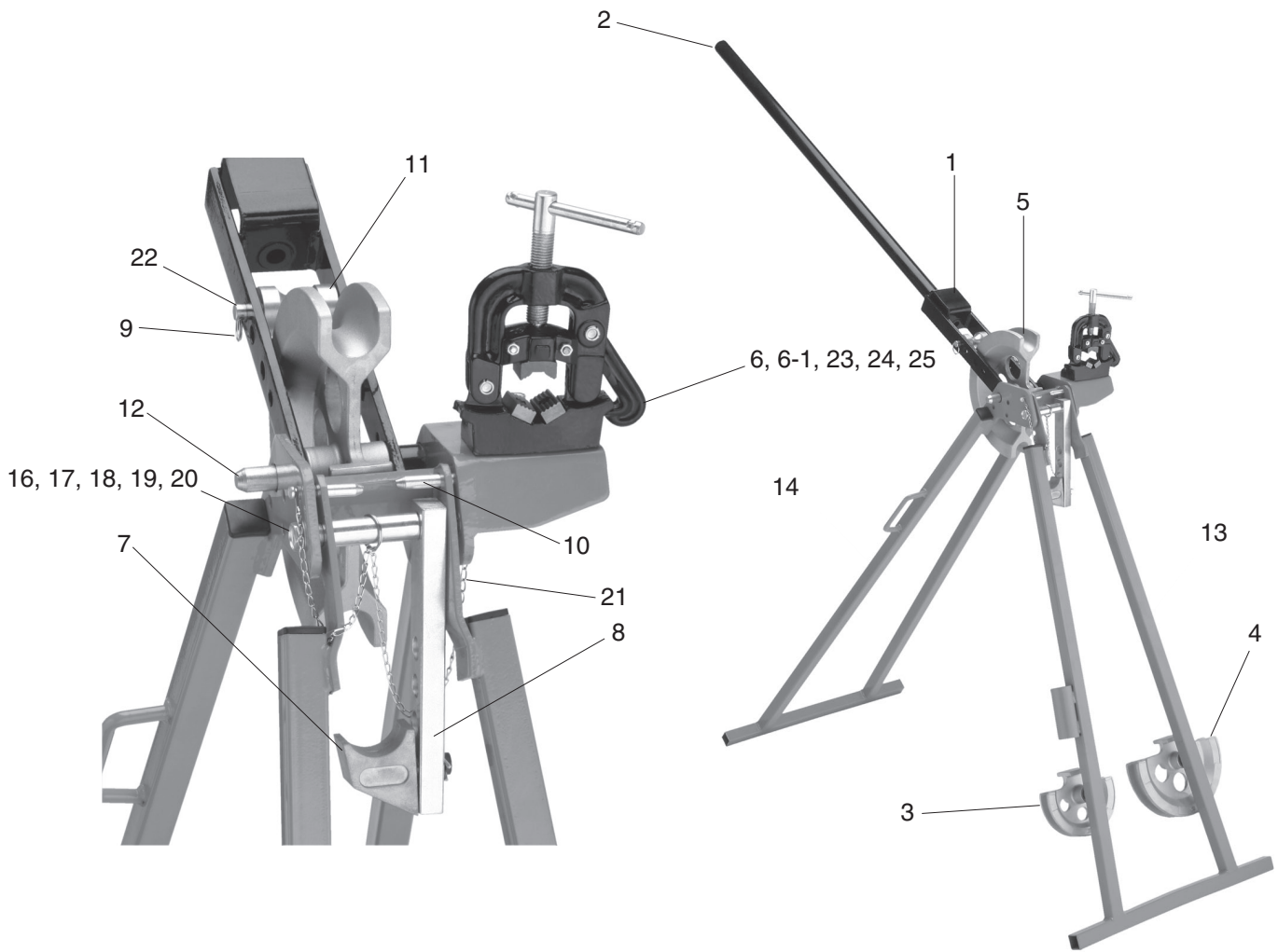


H7932 Parts Breakdown and List



REF	PART #	DESCRIPTION
1	PH7932001	BENDING LEVER
2	PH7932002	HANDLE EXTENSION TUBE
3	PH7932003	BENDING DIE 1/2"
4	PH7932004	BENDING DIE 3/4"
5	PH7932005	BENDING DIE 1"
6	PH7932006	COMPLETE PIPE VISE
6-1	PH7932006-1	LOWER VISE JAW
7	PH7932007	STOP BLOCK
8	PH7932008	STOP BLOCK BAR
9	PH7932009	COTTER PIN
10	PH7932010	PIVOT PIN
11	PH7932011	GROOVED ROLLER
12	PH7932012	CENTER PIN

REF	PART #	DESCRIPTION
13	PH7932013	SUPPORT
14	PH7932014	MAIN BODY
16	PH7932016	SPECIAL BOLT
17	PW06M	FLAT WASHER 12MM
18	PH7932018	INSIDE SPACER SLEEVE
19	PH7932019	OUTSIDE SPACER SLEEVE
20	PLN09M	LOCK NUT M12-1.75
21	PH7932021	CHAIN W/RING
22	PH7932022	GROOVED ROLLER PIN
23	PB07M	HEX BOLT M8-1.25 X 25
24	PW01M	FLAT WASHER 8MM
25	PN03M	HEX NUT M8-1.25