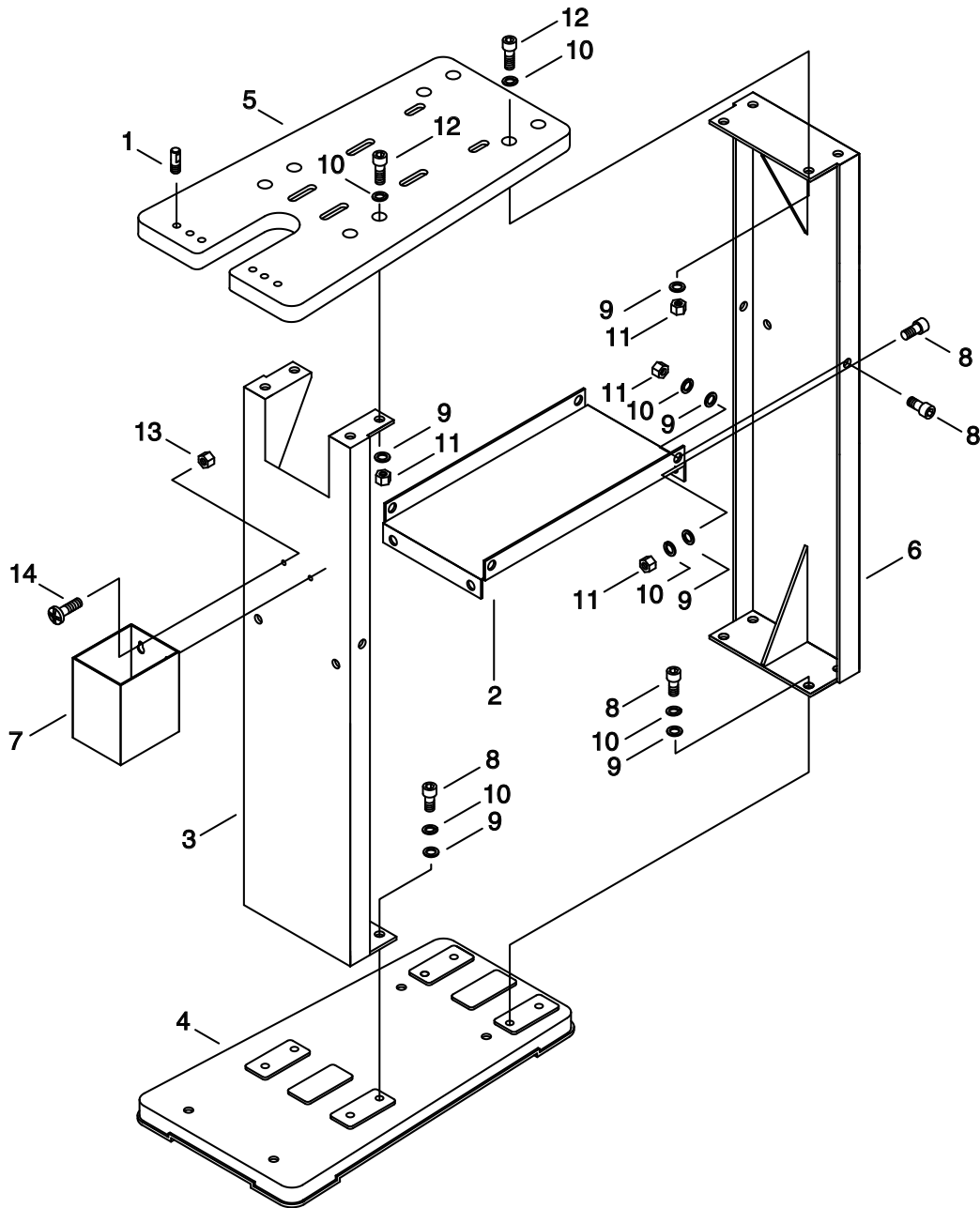


H7832 Parts Breakdown and List



REF	PART #	DESCRIPTION
1	PH7832001	MOUNTING PIN M10-1.5 X 40
2	PH7832002	TRAY
3	PH7832003	FRONT PANEL
4	PH7832004	BASE
5	PH7832005	TOP PANEL
6	PH7832006	REAR PANEL
7	PH7832007	CUP

REF	PART #	DESCRIPTION
8	PSB36M	CAP SCREW M12-1.75 X 25
9	PW06M	FLAT WASHER 12MM
10	PLW05M	LOCK WASHER 12MM
11	PN09M	HEX NUT M12-1.75
12	PSB111M	CAP SCREW M12-1.75 x 35
13	PN01M	HEX NUT M6-1
14	PS26M	PHLP HD SCR M6-1 X 20

COPYRIGHT © DECEMBER, 2005 BY GRIZZLY INDUSTRIAL, INC.
**WARNING: NO PORTION OF THIS MANUAL MAY BE REPRODUCED IN ANY SHAPE
OR FORM WITHOUT THE WRITTEN APPROVAL OF GRIZZLY INDUSTRIAL, INC.**
#JK7840 PRINTED IN CHINA