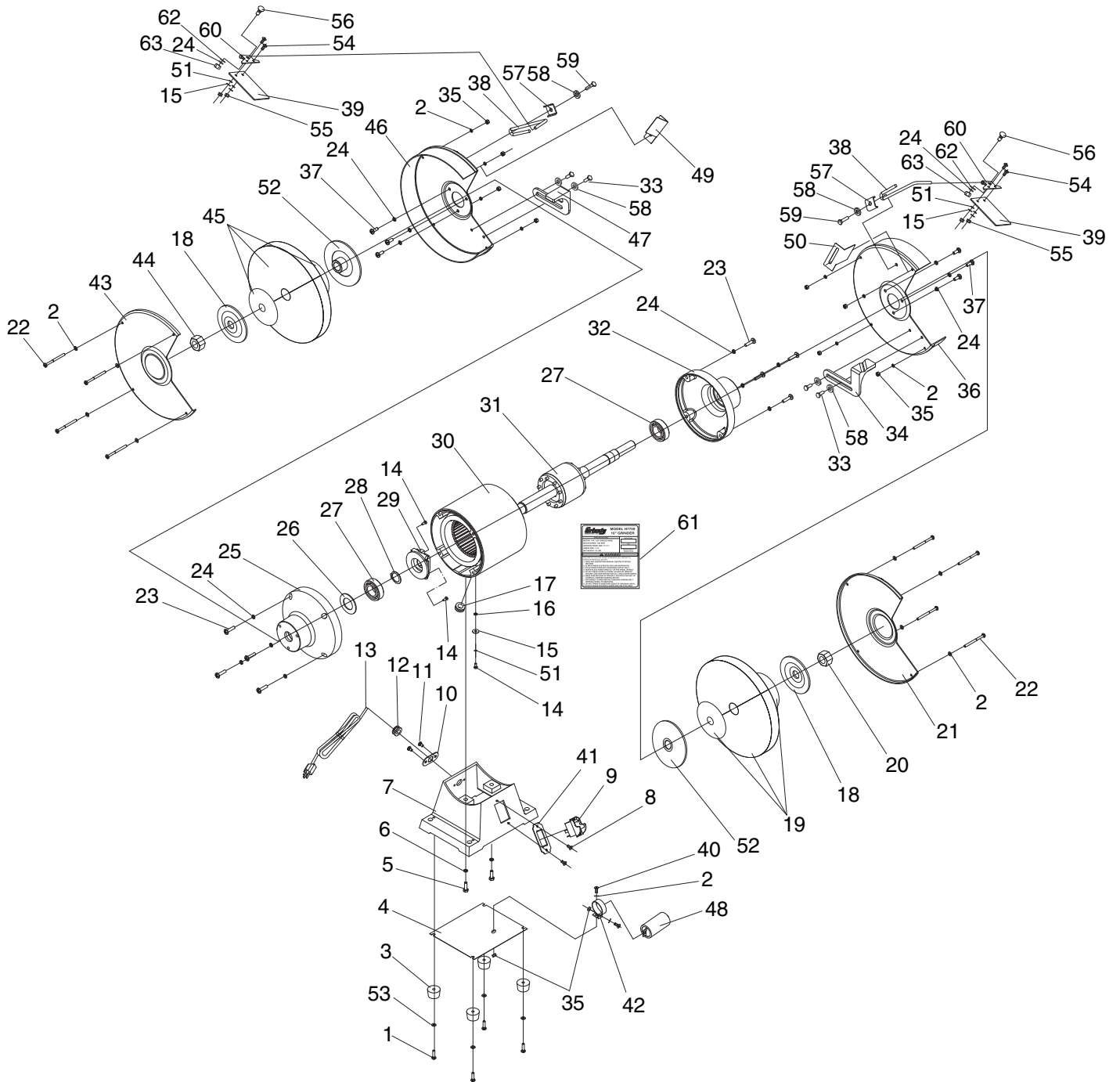


H7759 Parts Breakdown



H7759 Parts List

REF	PART #	DESCRIPTION
1	PS06M	PHLP HD SCR M5-.8 X 20
2	PW02M	FLAT WASHER 5MM
3	PH7759003	RUBBER FOOT
4	PH7759004	BASE PLATE
5	PB07M	HEX BOLT M8-1.25 X 25
6	PLW04M	LOCK WASHER 8MM
7	PH7759007	BASE
8	PS05M	PHLP HD SCR M5-.8 X 8
9	PH7759009	SELF-LOCK SWITCH
10	PH7759010	CORD CLIP FIXED PLATE
11	PS05M	PHLP HD SCR M5-.8 X 8
12	PH7759012	WIRE BUSHING
13	PH7759013	POWER CORD
14	PS38M	PHLP HD SCR M4-.7 X 10
15	PW05M	FLAT WASHER 4MM
16	PTLW01M	EXT TOOTH WASHER 4MM
17	PH7759017	CORD CLIP
18	PH7759018	OUTER WHEEL FLANGE
19	PH7759019	WHEEL TYPE-1 60 GRIT 10" X 1" X 1-1/4"
20	PN28M	HEX NUT M20-2.5
21	PH7759021	RIGHT WHEEL GUARD COVER
22	PS105M	PHLP HD SCR M5-.8 X 60
23	PS47M	PHLP HD SCR M6-1 X 25
24	PLW03M	LOCK WASHER 6MM
25	PH7759025	LEFT END CAP
26	PH7759026	WAVE LOCK WASHER 52MM
27	P6205	BEARING 6205
28	PH7759028	LOCK WASHER
29	PH7759029	CENTRIFUGAL SWITCH
30	PH7759030	STATOR
31	PH7759031	ROTOR
32	PH7759032	RIGHT END CAP

REF	PART #	DESCRIPTION
33	PB17M	HEX BOLT M8-1.25 X 10
34	PH7759034	RIGHT WORK REST
35	PN06M	HEX NUT M5-.8
36	PH7759036	RIGHT SAFE GUARD
37	PS11M	PHLP HD SCR M6-1 X 16
38	PH7759038	EYESHIELD MOUNTING ROD
39	PH7759039	EYESHIELD
40	PS09M	PHLP HD SCR M5-.8 X 10
41	PH7759041	SWITCH PLATE
42	PH7759042	CAPACITOR HOLDER
43	PH7759043	LEFT SAFE COVER
44	PN36M	HEX NUT M20-2.5 LH
45	PH7759045	WHEEL TYPE-1 36 GRIT 10" X 1" X 1-1/4"
46	PH7759046	LEFT WHEEL GUARD
47	PH7759047	LEFT WORK REST
48	PH7759048	CAPACITOR 150M 125V 1.375"D X 3.125"L
49	PH7759049	RIGHT SPARK DEFECTOR
50	PH7759050	LEFT SPARK DEFECTOR
51	PLW02M	LOCK WASHER 4MM
52	PH7759052	INNER WHEEL FLANGE
53	PH7759053	FENDER WASHER 5MM
54	PS07M	PHLP HD SCR M4-.7 X 8
55	PN04M	HEX NUT M4-.7
56	PH7759056	DOME BOLT
57	PH7759057	PRESSURE PLATE
58	PH7759058	BIG FLAT WASHER 8MM
59	PS106M	PHLP HD SCR M8-1.25 X 14
60	PH7759060	EYESHIELD PRESSURE PLATE
61	PH7759061	MACHINE ID LABEL
62	PW03M	FLAT WASHER 6MM
63	PN01M	HEX NUT M6-1

WARNING

Safety labels warn about machine hazards and ways to prevent injury. The owner of this machine **MUST** maintain the original location and readability of the labels on the machine. If any label is removed or becomes unreadable, **REPLACE** that label before using the machine again. Contact Grizzly at (800) 523-4777 or www.grizzly.com to order new labels.

