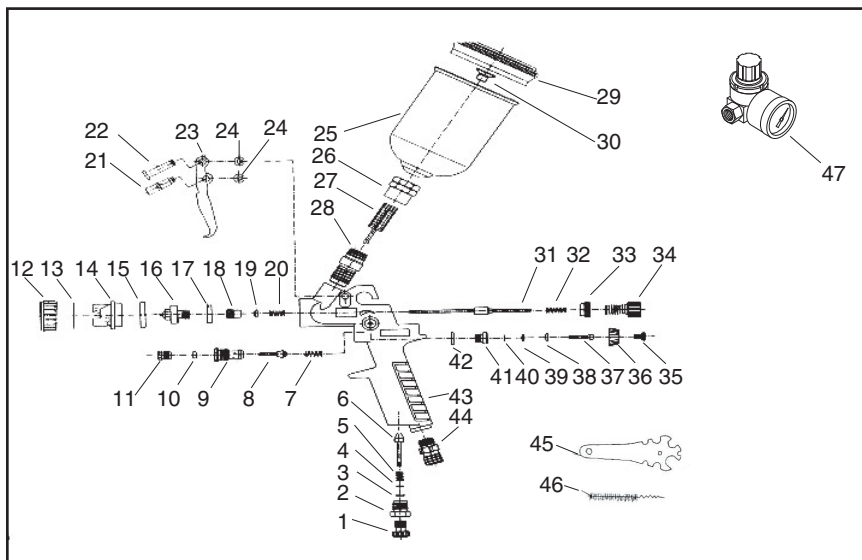


# Parts Breakdown



REF PART #	DESCRIPTION	REF PART #	DESCRIPTION		
1	PH7670001	AIR ADJUSTABLE SCREW	25	PH7670025	CONTAINER
2	PH7670002	AIR ADJUSTABLE KNOB	26	PH7670026	JOINT NUT
3	PH7670003	O-RING	27	PH7670027	FILTER
4	PH7670004	DOMED SEAL WASHER	28	PH7670028	FLUID INLET JOINT
5	PH7670005	AIR ADJUSTABLE SPRING	29	PH7670029	CONTAINER COVER
6	PH7670006	AIR INLET VALVE	30	PH7670030	SMALL JOINT NUT
7	PH7670007	SWITCH SPRING	31	PH7670031	FLUID NEEDLE
8	PH7670008	AIR INLET VALVE ASS'Y	32	PH7670032	FLUID NEEDLE SPRING
9	PH7670009	SWITCH KNOB	33	PH7670033	JOINT CAP
10	PH7670010	SWITCH WASHER	34	PH7670034	FLUID ADJUSTABLE KNOB
11	PH7670011	LOCK SCREW	35	PH7670035	PHILLIPS SCREW
12	PH7670012	NUT	36	PH7670036	PATTERN ADJ JOINT CAP
13	PH7670013	AIR CAP WASHER	37	PH7670037	PATTERN ADJ SCREW
14	PH7670014	ATOMIZATION	38	PH7670038	O-RING
15	PH7670015	NUT HOUSING	39	PH7670039	O-RING
16	PH7670016	FLUID NOZZLE	40	PH7670040	E-CLIP
17	PH7670017	FLUID NOZZLE WASHER	41	PH7670041	PATTERN ADJ KNOB
18	PH7670018	DIRECTION SCREW	42	PH7670042	O-RING
19	PH7670019	ADJ NEEDLE WASHER	43	PH7670043	GUN BODY
20	PH7670020	COMPRESSED SPRING	44	PH7670044	AIR INLET JOINT
21	PH7670021	TRIGGER PIN I	45	PH7670045	SERVICE WRENCH
22	PH7670022	TRIGGER PIN II	46	PH7670046	CLEANING BRUSH
23	PH7670023	TRIGGER	47	PH7670047	AIR REGULATOR
24	PH7670024	SNAP RETAINER			