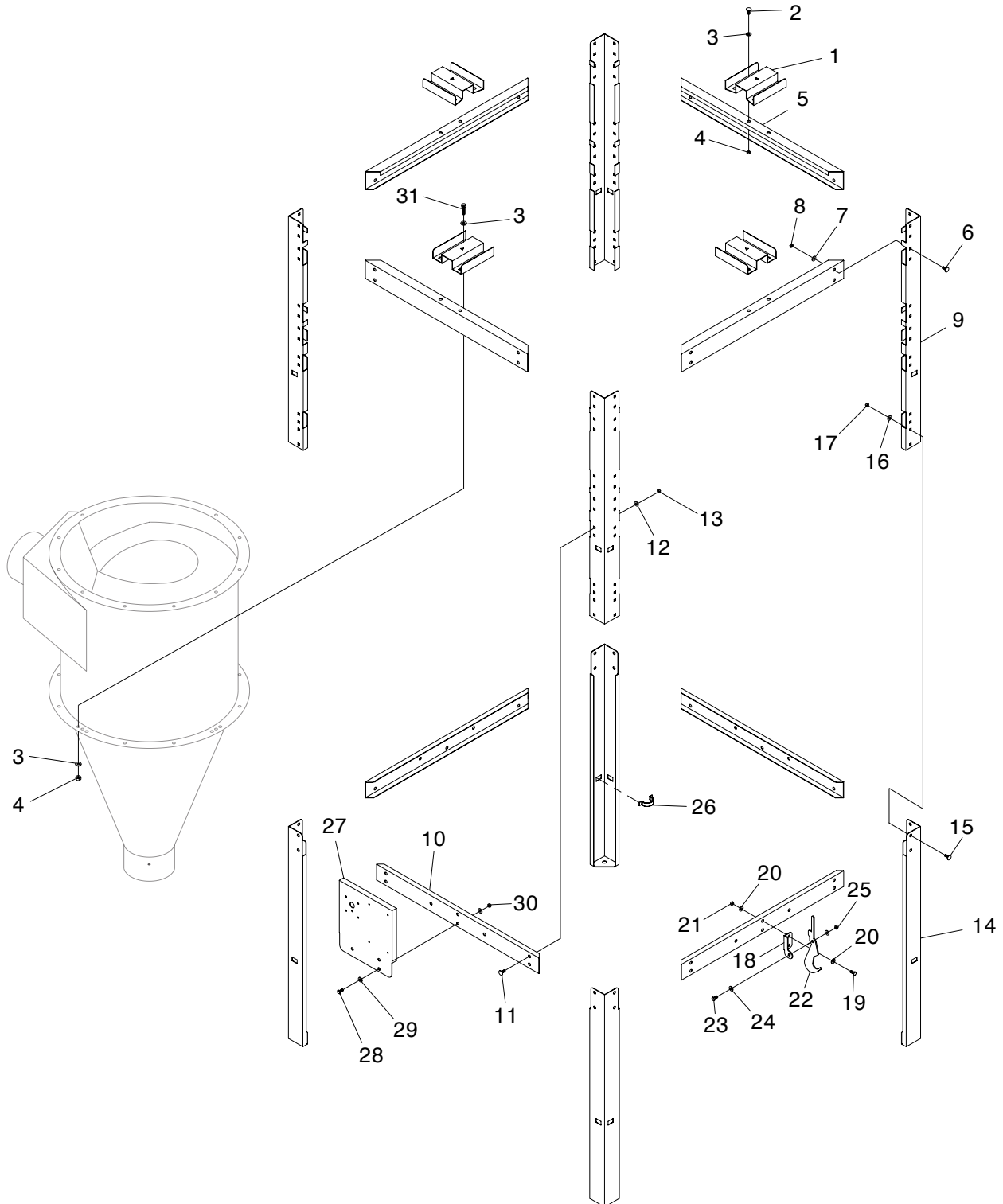


# SECTION 2: PARTS

We do our best to stock replacement parts when possible, but we cannot guarantee that all parts shown are available for purchase. Call (800) 523-4777 or visit [www.grizzly.com/parts](http://www.grizzly.com/parts) to check for availability.

## Main



# Main Parts List

REF	PART #	DESCRIPTION
1	PH7509Z001	MOUNTING BRACKET
2	PH7509Z002	CARRIAGE BOLT 5/16-18 X 3/4
3	PH7509Z003	FLAT WASHER 5/16
4	PH7509Z004	HEX NUT 5/16-18
5	PH7509Z005	UPPER STAND BRACE
6	PH7509Z006	CARRIAGE BOLT 5/16-18 X 3/4
7	PH7509Z007	FLAT WASHER 5/16
8	PH7509Z008	HEX NUT 5/16-18
9	PH7509Z009	UPPER STAND LEG
10	PH7509Z010	LOWER BRACKET BRACE
11	PH7509Z011	CARRIAGE BOLT 5/16-18 X 3/4
12	PH7509Z012	FLAT WASHER 5/16
13	PH7509Z013	HEX NUT 5/16-18
14	PH7509Z014	LOWER STAND LEG
15	PH7509Z015	CARRIAGE BOLT 5/16-18 X 3/4
16	PH7509Z016	FLAT WASHER 5/16

REF	PART #	DESCRIPTION
17	PH7509Z017	HEX NUT 5/16-18
18	PH7509Z018	HANDLE HOOK BASE
19	PH7509Z019	HEX BOLT 3/8-16 X 1
20	PH7509Z020	FLAT WASHER 3/8
21	PH7509Z021	LOCK NUT 3/8-16
22	PH7509Z022	HANDLE HOOK
23	PH7509Z023	HEX BOLT 3/8-16 X 1
24	PH7509Z024	FLAT WASHER 3/8
25	PH7509Z025	LOCK NUT 3/8-16
26	PH7509Z026	VACUUM HOSE CLIP 2-1/2"
27	PH7509Z027	SWITCH BOX BASE PANEL
28	PH7509Z028	HEX BOLT 3/8-16 X 3/4
29	PH7509Z029	FLAT WASHER 3/8
30	PH7509Z030	HEX NUT 3/8-16
31	PH7509Z031	HEX BOLT 5/16-18 X 1

