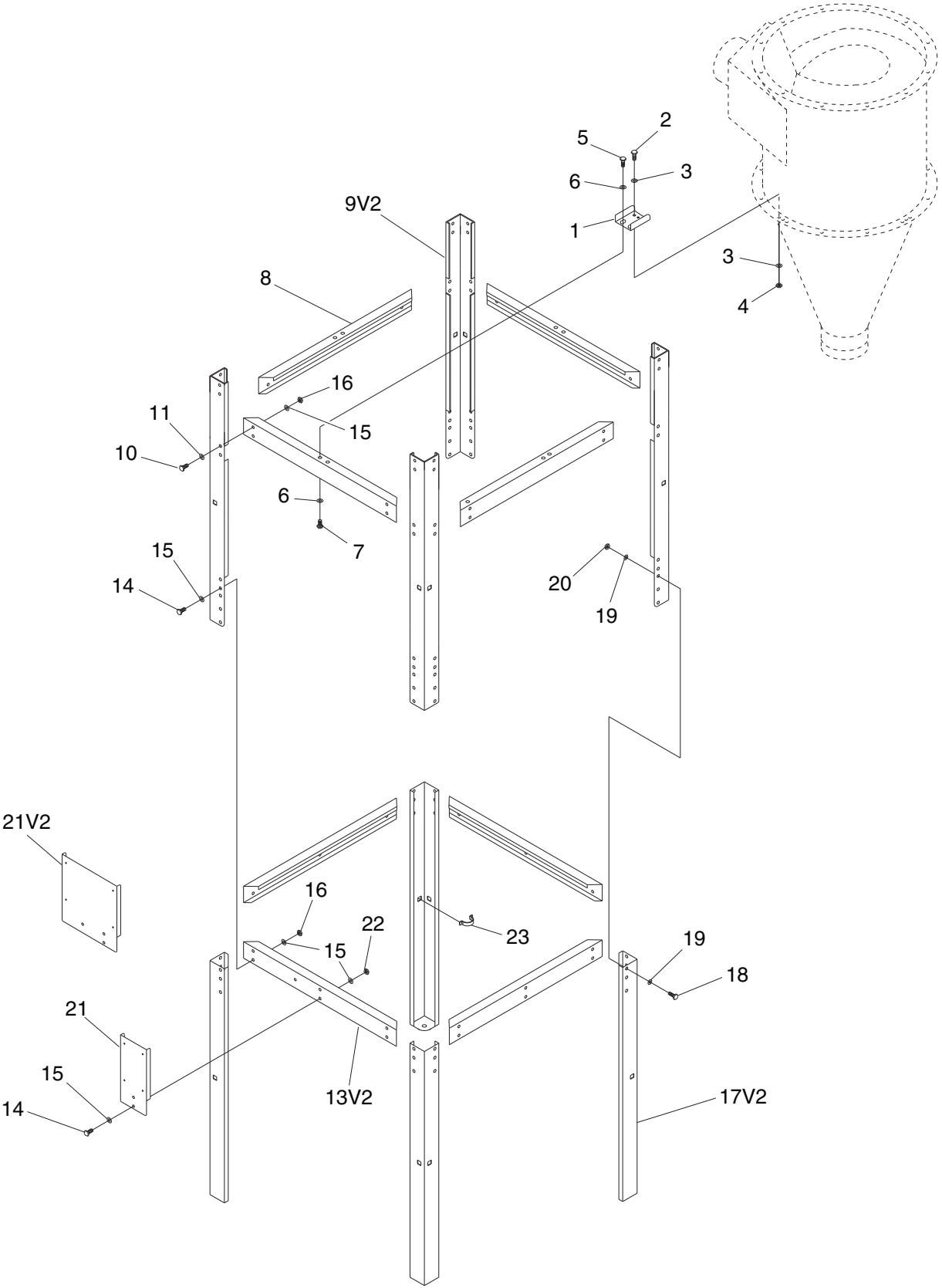


# H7499/H7508/H7509 Parts Breakdown



# H7499/H7508/H7509 Parts List

REF	PART #	DESCRIPTION
1	PH7499001	MOUNTING BRACKET (H7499)
1	PH7508001	MOUNTING BRACKET (H7508)
1	PH7509001	MOUNTING BRACKET (H7509)
2	PB03	HEX BOLT 5/16-18 X 1
3	PW07	FLAT WASHER 5/16
4	PLN03	LOCK NUT 5/16-18
5	PB21	HEX BOLT 3/8-16 X 3/4
6	PW02	FLAT WASHER 3/8
7	PLN01	LOCK NUT 3/8-16
8	PH7499008	UPPER STAND BRACE
9V2	PH7499009V2	UPPER STAND LEG V2.07.10
10	PB21	HEX BOLT 3/8-16 X 3/4
11	PW02	FLAT WASHER 3/8

REF	PART #	DESCRIPTION
13V2	PH7499013V2	LOWER STAND BRACE V2.03.12
14	PB21	HEX BOLT 3/8-16 X 3/4
15	PW02	FLAT WASHER 3/8
16	PLN01	LOCK NUT 3/8-16
17V2	PH7499017V2	LOWER STAND LEG V2.07.10
18	PB21	HEX BOLT 3/8-16 X 3/4
19	PW02	FLAT WASHER 3/8
20	PLN01	LOCK NUT 3/8-16
21	PH7508021	STAND SWITCH BRACKET (H7508)
21V2	PH7499021V2	STAND SWITCH BRACKET V2.03.12 (H7499/H7509)
22	PN08	HEX NUT 3/8-16
23	PH7499023	VACUUM HOSE CLIP 2-1/2"

