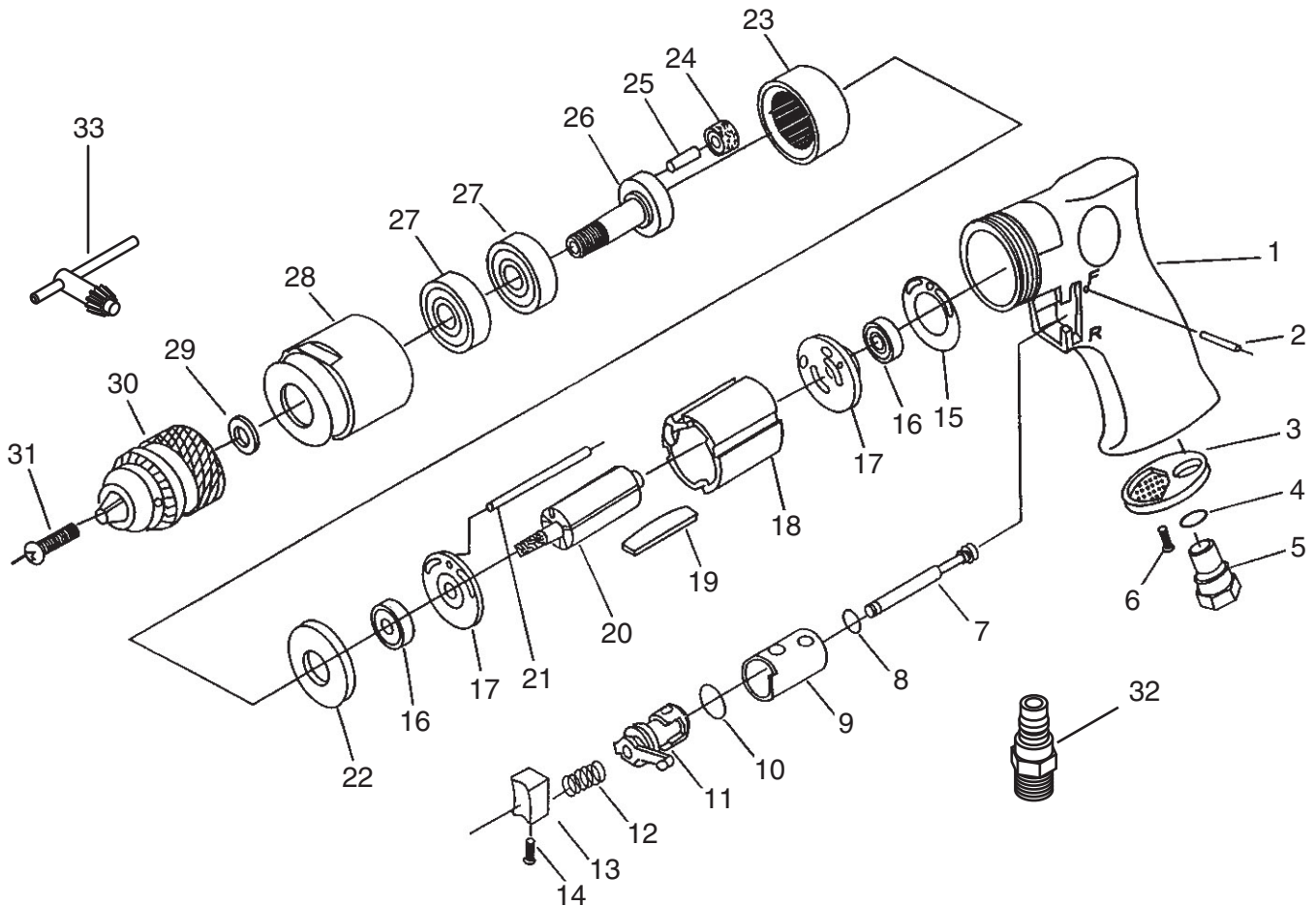


H6362 Parts Breakdown and List



Ref #	Part #	Description
1	PH6362001	HOUSING
2	PH6362002	SPRING PIN
3	PH6362003	EXHAUST DEFLECTOR
4	PH6362004	O-RING
5	PH6362005	AIR FITTING CONNECTOR
6	PH6362006	SPECIAL SCREW
7	PH6362007	VALVE STEM
8	PH6362008	O-RING
9	PH6362009	REVERSE BUSHING
10	PH6362010	O-RING
11	PH6362011	REVERSE LEVER
12	PH6362012	SPRING
13	PH6362013	TRIGGER
14	PSS81M	SET SCREW M3-.5 X 5
15	PH6362015	MOTOR GASKET
16	PH6362016	BEARING
17	PH6362017	END PLATE

Ref #	Part #	Description
18	PH6362018	CYLINDER
19	PH6362019	ROTOR BLADE
20	PH6362020	ROTOR
21	PH6362021	PIN
22	PH6362022	SPACER
23	PH6362023	INTERNAL GEAR
24	PH6362024	PLANET GEAR
25	PH6362025	PIN
26	PH6362026	WORK SPINDLE
27	PH6362027	BEARING
28	PH6362028	CLAMP NUT
29	PH6362029	GASKET
30	PH6362030	DRILL CHUCK
31	PH6362031	CHUCK SCREW
32	PH6362032	1/4" NPT MALE AIR FITTING
33	PH6362033	CHUCK KEY