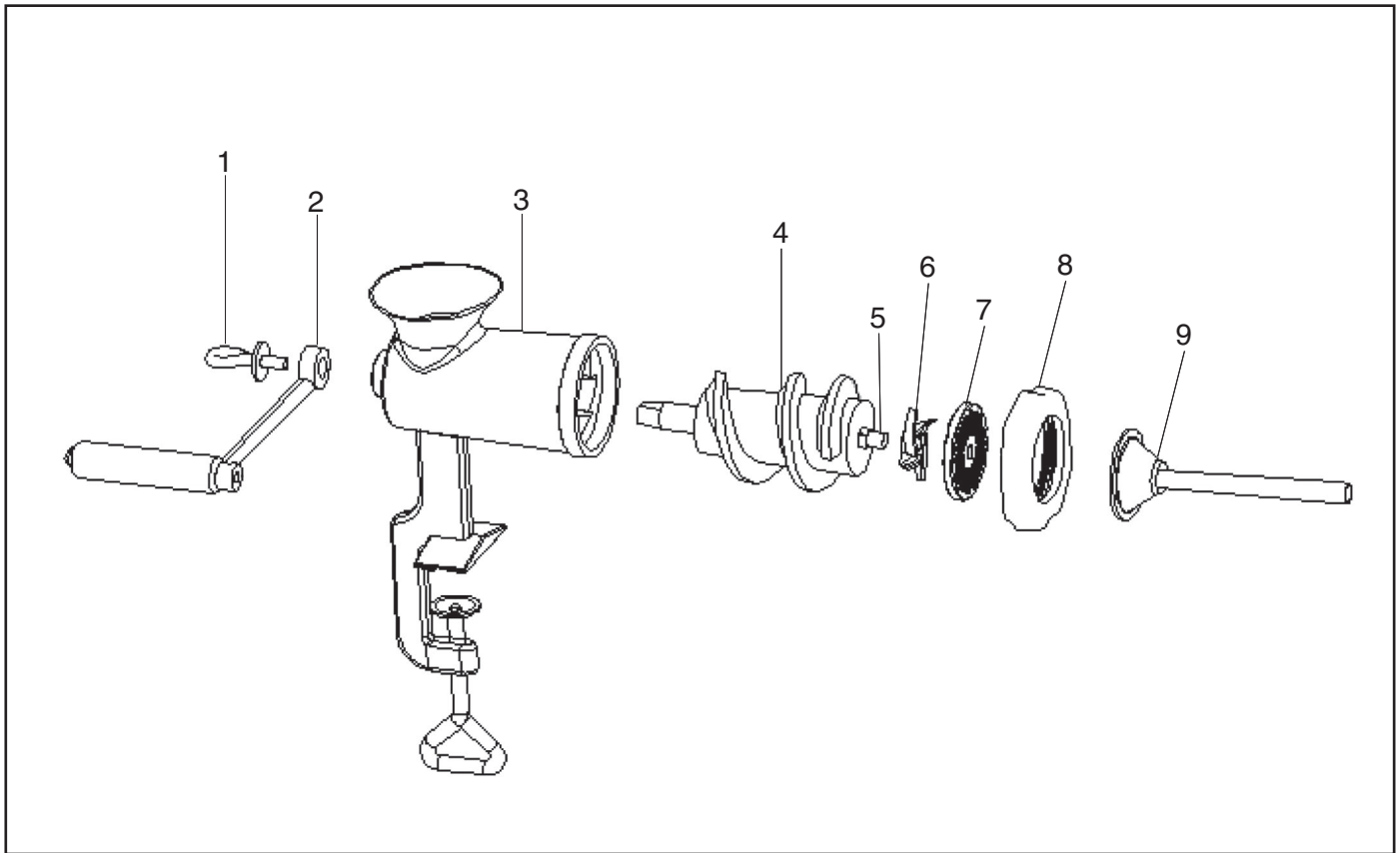


# H6249 & H6250 Parts Breakdown



## Model H6249 Parts List

| REF | PART #    | DESCRIPTION    |
|-----|-----------|----------------|
| 1   | PH6249001 | HANDLE SCREW   |
| 2   | PH6249002 | HANDLE         |
| 3   | PH6249003 | GRINDER BODY   |
| 4   | PH6249004 | AUGER          |
| 5   | PH6249005 | SQUARE SHAFT   |
| 6   | PH6249006 | CUTTING KNIFE  |
| 7   | PH6249007 | GRINDING PLATE |
| 8   | PH6249008 | LOCK NUT       |
| 9   | PH6249009 | MEAT STUFFER   |

## Model H6250 Parts List

| REF | PART #    | DESCRIPTION    |
|-----|-----------|----------------|
| 1   | PH6250001 | HANDLE SCREW   |
| 2   | PH6250002 | HANDLE         |
| 3   | PH6250003 | GRINDER BODY   |
| 4   | PH6250004 | AUGER          |
| 5   | PH6250005 | SQUARE SHAFT   |
| 6   | PH6250006 | CUTTING KNIFE  |
| 7   | PH6250007 | GRINDING PLATE |
| 8   | PH6250008 | LOCK NUT       |
| 9   | PH6250009 | MEAT STUFFER   |

COPYRIGHT © SEPTEMBER, 2004 BY GRIZZLY INDUSTRIAL, INC.

**WARNING: NO PORTION OF THIS MANUAL MAY BE REPRODUCED IN ANY SHAPE OR FORM WITHOUT THE WRITTEN APPROVAL OF GRIZZLY INDUSTRIAL, INC.**

#CA6636 PRINTED IN CHINA