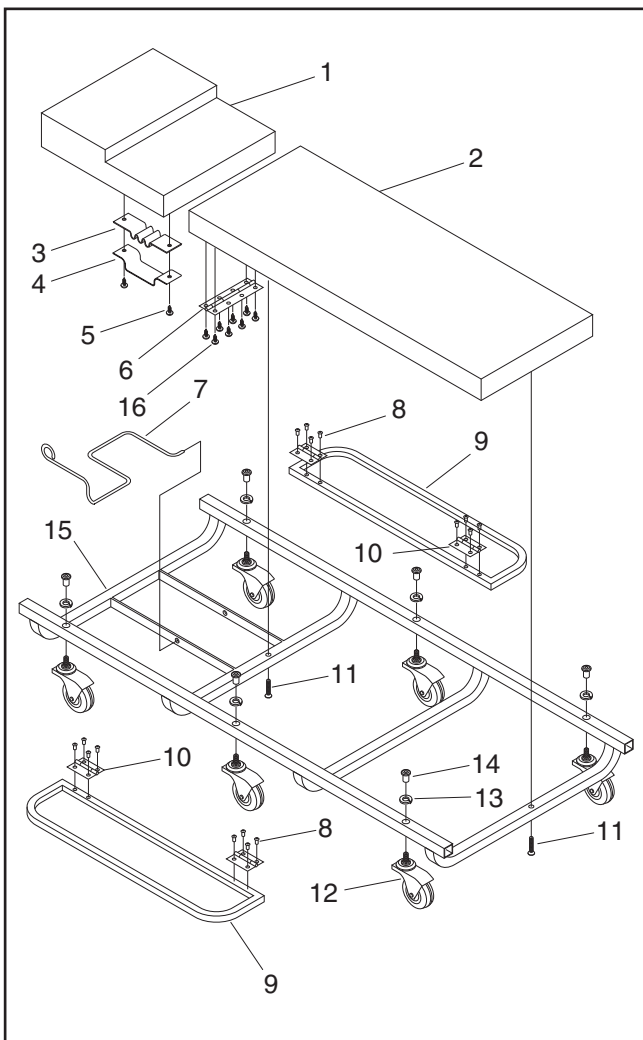




40" Creeper with Headrest and Trays MODEL H6234



40" Creeper with Headrest and trays



!WARNING

Failure to follow these instructions will result in serious personal injury:

1. Never work under a vehicle when the engine is running.
2. Set the parking brake on the vehicle.
3. Make sure the vehicle is properly supported on jack stands. **DO NOT** work under a vehicle that is only supported by a jack, cinder blocks or stacked blocks.
4. **DO NOT** work under a vehicle that has had all of the wheels and tires removed, or has all four wheels off of the ground.
5. Make sure the wheels that are on the ground are chocked.
6. Wear eye protection such as safety glasses or a face shield.

| REF | PART # | DESCRIPTION |
|-----|--------|-------------|
|-----|--------|-------------|

| | | |
|----|-----------|-----------------------|
| 1 | PH6234001 | HEADREST |
| 2 | PH6234002 | BACKREST |
| 3 | PH6234003 | HEADREST SUPPORT |
| 4 | PH6234004 | SUPPORT BRACKET |
| 5 | PHTEK20M | TAP SCREW M5 X 14 |
| 6 | PH6234006 | HEADREST HINGE |
| 7 | PH6234007 | HEADREST ANGLE LEVER |
| 8 | PH6234008 | RIVET |
| 9 | PH6234009 | TOOL TRAY |
| 10 | PH6234010 | TRAY HINGE |
| 11 | PFH03M | FLAT HD SCR M6-1 X 40 |
| 12 | PH6234012 | SWIVEL CASTER |
| 13 | PLW06M | LOCK WASHER 10MM |
| 14 | PH6234014 | BUTTON HD SLEEVE NUT |
| 15 | PH6234015 | FRAME |
| 16 | PHTEK19M | TAP SCREW M5 X 16 |