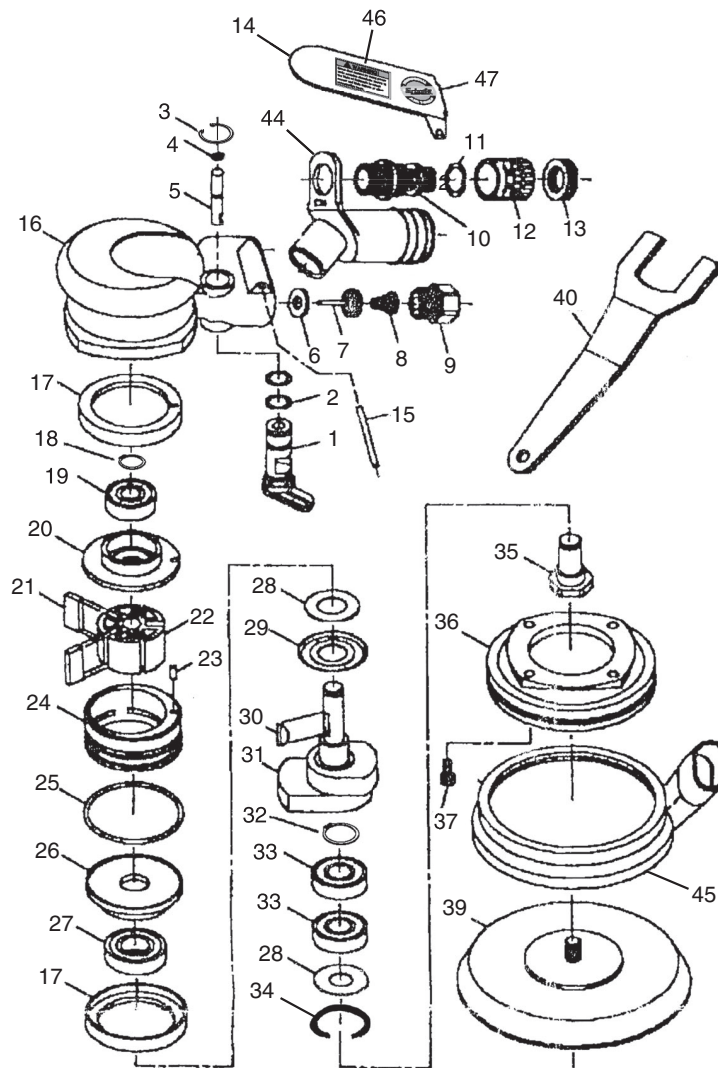


H6192 Parts Breakdown and List



REF	PART #	DESCRIPTION
1	PH6192001	REGULATOR
2	PH6192002	O-RING
3	PR49M	INT RETAINING RING 12MM
4	PH6192004	O-RING
5	PH6192005	VALVE STEM
6	PH6192006	WASHER
7	PH6192007	NEEDLE VALVE
8	PH6192008	VALVE SPRING
9	PH6192009	INLET BUSHING
10	PH6192010	MUFFLER BODY
11	PH6192011	O-RING
12	PH6192012	EXHAUST SLEEVE
13	PH6192013	EXHAUST SLEEVE NUT
14	PH6192014	THROTTLE LEVER
15	PRP53M	ROLL PIN 3 X 40
16	PH6192016	HOUSING
17	PH6192017	GASKET
18	PR16M	EXT RETAINING RING 9MM
19	P6000	BALL BEARING 6000ZZ
20	PH6192020	REAR PLATE
21	PH6192021	ROTOR BLADE
22	PH6192022	ROTOR

REF	PART #	DESCRIPTION
23	PRP61M	ROLL PIN 3 X 12
24	PH6192024	CYLINDER
25	PH6192025	O-RING 47 X 2.5
26	PH6192026	FRONT PLATE
27	P6000	BALL BEARING 6000ZZ
28	PH6192028	SPECIAL WASHER
29	PH6192029	SPECIAL WASHER
30	PH6192030	WOODRUFF KEY
31	PH6192031	MOTOR SHAFT BALANCER
32	PR48M	EXT RETAINING RING 11MM
33	P6001	BALL BEARING 6001ZZ
34	PH6192034	SPECIAL EXT RETAINING RING
35	PH6192035	SHAFT
36	PH6192036	HOUSING COVER
37	PSB50M	CAP SCREW M5-.8 X 10
39	PH6192039	5" SANDING PAD
40	PH6192040	SPINDLE WRENCH
44	PH6192044	VACUUM PORT 1-1/4 " OD
45	PH6192045	SHROUD
46	PH6192046	DUST WARNING LABEL
47	PH6192047	GRIZZLY AIR TOOLS LABEL