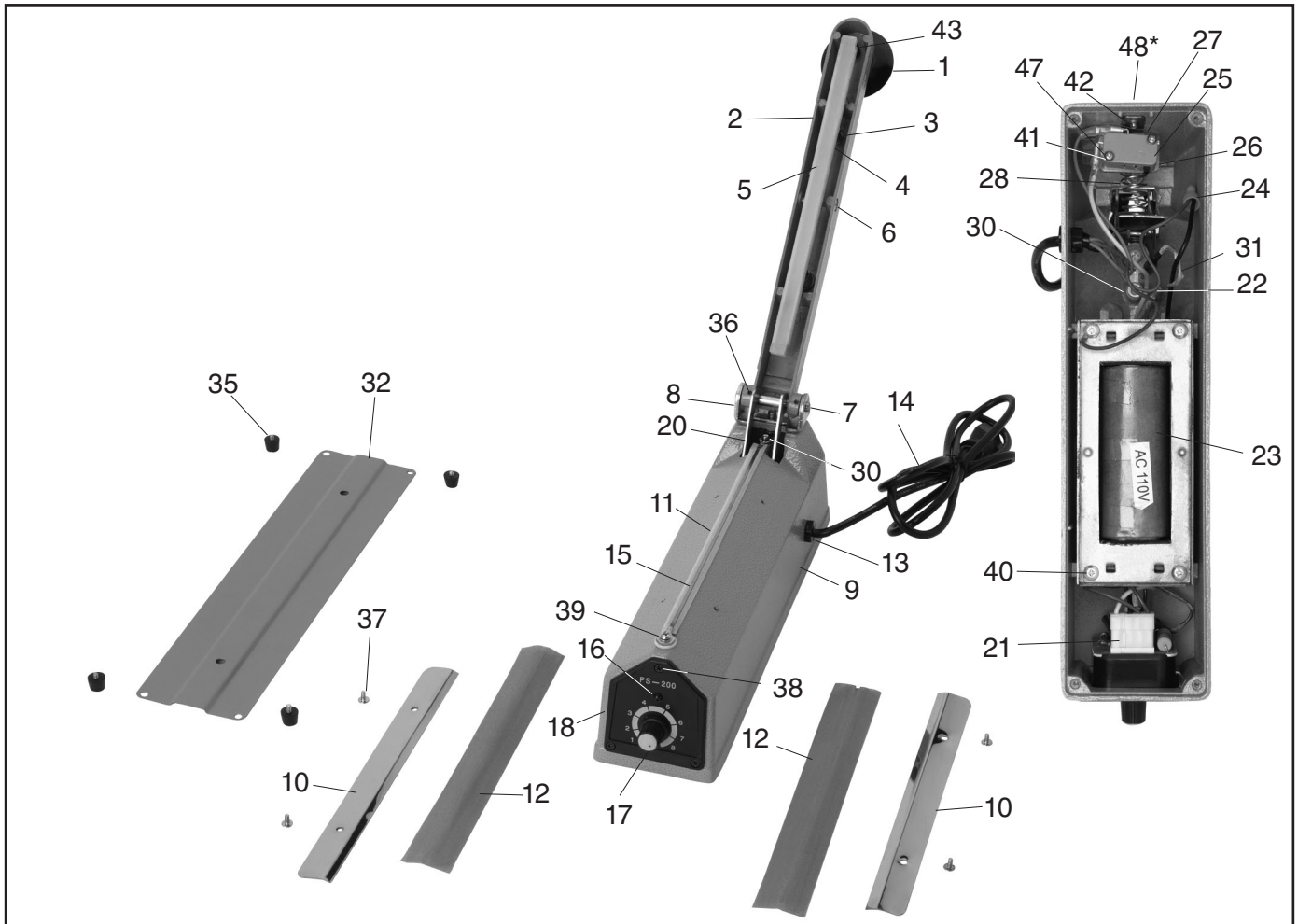


H6152 Parts Breakdown & List



REF	PART #	DESCRIPTION
1	PH6152001	HANDLE KNOB
2	PH6152002	PLATEN ARM
3	PH6152003	PLATEN SPRING
4	PH6152004	PLATEN
5	PH6152005	SILICON RUBBER STRIP
6	PH6152006	SPECIAL PHLP HD SCR M5-.8 X 25
7	PH6152007	HINGE
8	PH6152008	HINGE BRACKET
9	PH6152009	SEALER BASE
10	PH6152010	METAL PLATE
11	PH6152011	LOWER TEFLON ELEMENT
12	PH6152012	UPPER TEFLON CLOTH
13	PH6152013	STRAIN RELIEF
14	PH6152014	POWER CORD
15	PH6152015	HEATING ELEMENT
16	PH6152016	PILOT LAMP
17	PH6152017	TIMER KNOB
18	PH6152018	CONTROL PANEL ASSEMBLY
20	PH6152020	SWITCH LEVER
21	PH6152021	WIRE CONNECTOR
22	PH6152022	INTERNAL WIRING

REF	PART #	DESCRIPTION
23	PH6152023	HEATER TRANSFORMER
24	PH6152024	WIRE CONNECTOR
25	PH6152025	MICROSWITCH
26	PH6152026	SWITCH BRACKET
27	PH6152027	SWITCH INSULATION
28	PH6152028	SWITCH LEVER SPRING
30	PH6152030	HEATER TERMINAL ASSEMBLY
31	PH6152031	GROUNDING WIRE
32	PH6152032	COVER PLATE
35	PH6152035	RUBBER FOOT AND SCREW
36	PSS81M	SET SCREW M3-.5 X 5
37	PS12M	PHLP HD SCR M3-.5 X 6
38	PFH57M	FLAT HD SCR M3-.5 X 8
39	PS17M	PHLP HD SCR M4-.7 X 6
40	PS18M	PHLP HD SCR M4-.7 X 25
41	PS59M	PHLP HD SCR M3-.5 X 14
42	PS07M	PHLP HD SCR M4-.7 X 8
43	PSB04M	CAP SCREW M6-1 X 10
47	PLW09M	LOCK WASHER 3MM
48	PTLW01M	EXT TOOTH WASHER 4MM

* Part not shown in breakdown

