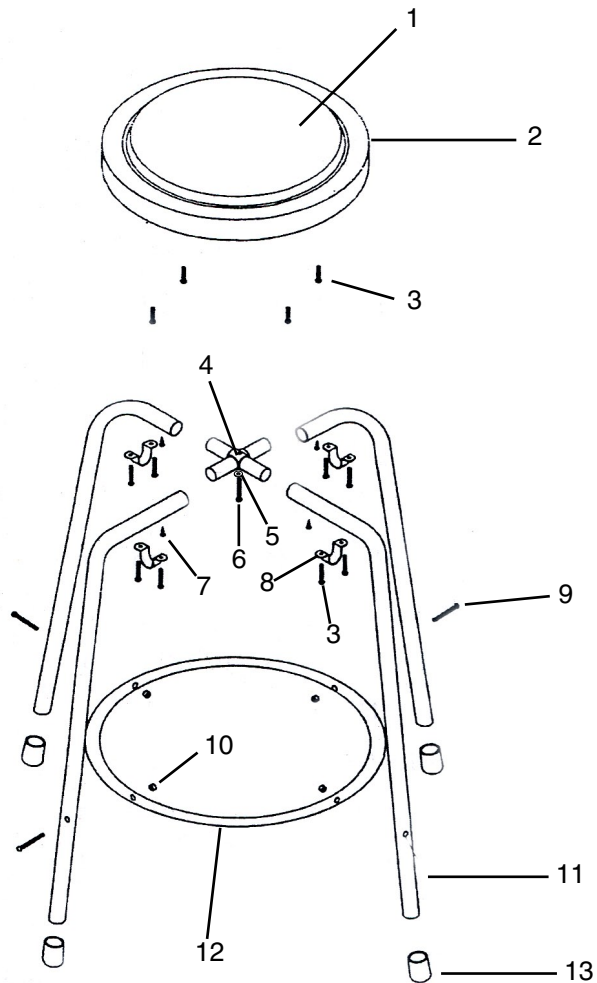


H6099 Parts Breakdown and List



REF	PART#	DESCRIPTION
1	PH6099001	STOOL PAD
2	PH6099002	STOOL TOP
3	PS21M	PHLP HD SCR M4-.7 X 15
4	PH6099004	PLASTIC CROSS JOINT
5	PW05M	FLAT WASHER 4MM
6	PS25M	PHLP HD SCR M4-.7 X 35
7	PHTEK5M	TAP SCREW M4 X 12
8	PH6099008	LEG HOLDER
9	PS87M	PHLP HD SCR M5-.8 X 45
10	PLN02M	LOCK NUT M5-.8
11	PH6099011	STOOL LEG
12	PH6099012	ROUND BRACE
13	PH6099013	RUBBER FLOOR GUARD