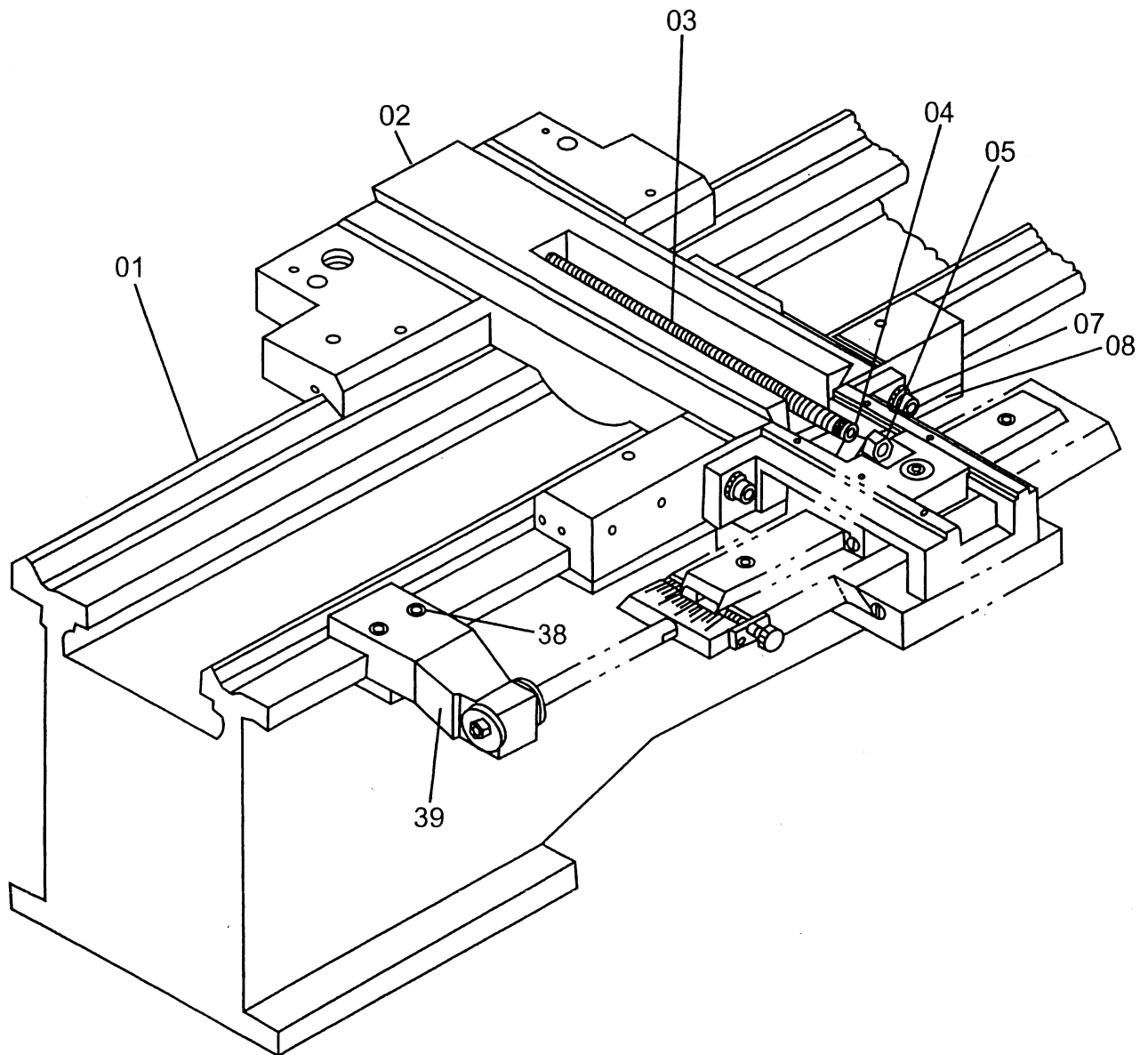
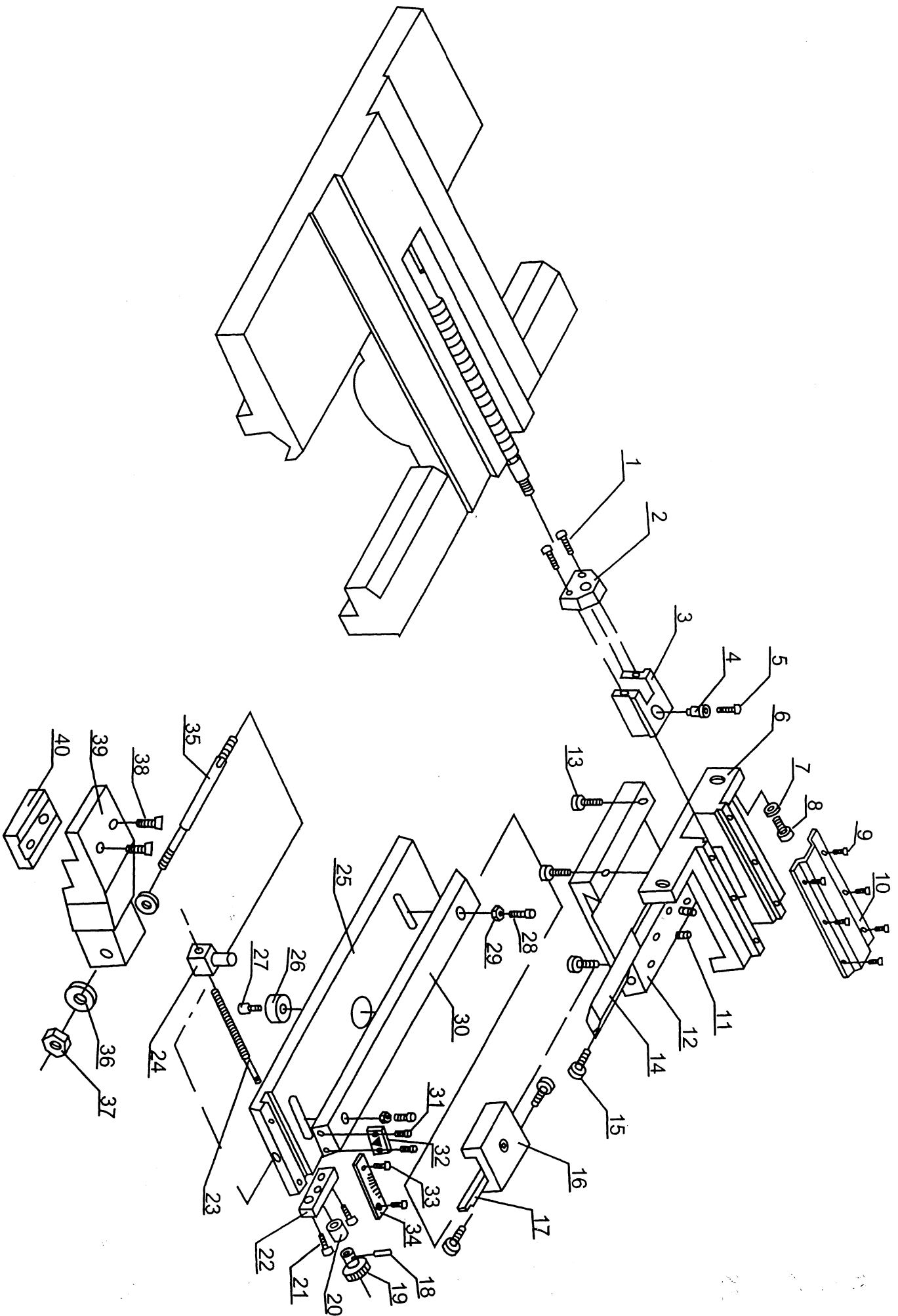


Taper Attachment Installation Drawing



Index No.	Part No.	Description	Size	Qty
01.....	GH1440W-01-01.....	Bed.....		1
02.....	GH1440W-07-01.....	Saddle.....		1
03.....	GH1440W-07-16.....	Leadscrew.....		1
04.....	GB301-8101.....	Thrust Bearing.....		1
05.....	GB6172-M10.....	Hex Nut.....	M10.....	1
07.....	GB97.2.....	Washer.....	M10.....	2
08.....	GB70.....	Hex Socket Screw.....	M10 x 35.....	2
38.....	GB70.....	Hex Socket Screw.....		2
39.....		Bracket.....		1



Parts List For GH1440 Taper Turning Attachment

Index No.	Part No	Description	Size	Qty
1	GB70	Hex Socket Screw	M6 x 16	2
2		End Block		1
3		Slide Block		1
4		Rod		1
5	GB70	Hex Socket Screw	M6 x 25	1
6		Main Bracket		1
7	GB97.2	Washer	M10	2
8	GB70	Hex Socket Screw	M10 x 35	2
9	GB818	Cross Recessed Pan Head Screw	M5 x 6	6
10		Cover		1
11	GB78		M5 x 6	2
12		Block		1
13	GB70	Hex Socket Screw	M8 x 40	4
14		Slant Iron		1
15		Adjusting Block		4
16		Slide		1
17		Gib		1
18	GB879	Pin	3 x 12	1
19		Handle		1
20		Supporting		1
21	GB70	Hex Socket Screw	M6 x 16	2
22		Block		1
23		Threaded Rool		1
24		Block Nut		1
25		Copying Mode		1
26		Positioning Screw		1
27	GB70	Hex Socket Screw	M8 x 12	1
28	GB70	Hex Socket Screw	M8 x 25	2
29	GB6170	Hexagon Nut	M8	2
30		Copying Plate		1
31	GB818	Cross Recessed Pan Head Screw	M3 x 5	2
32		Plate		1
33	GB818	Cross Recessed Pan Head Screw	M3 x 5	2
34		Sign Plate		1
35		Supporting Rod		1
36		Washer		2
37	GB6170	Hexagon Nut	M10	1
38	GB70	Hex Socket Screw	M8 x 40	2
39		Bracket		1
40		Clamping Plate		1