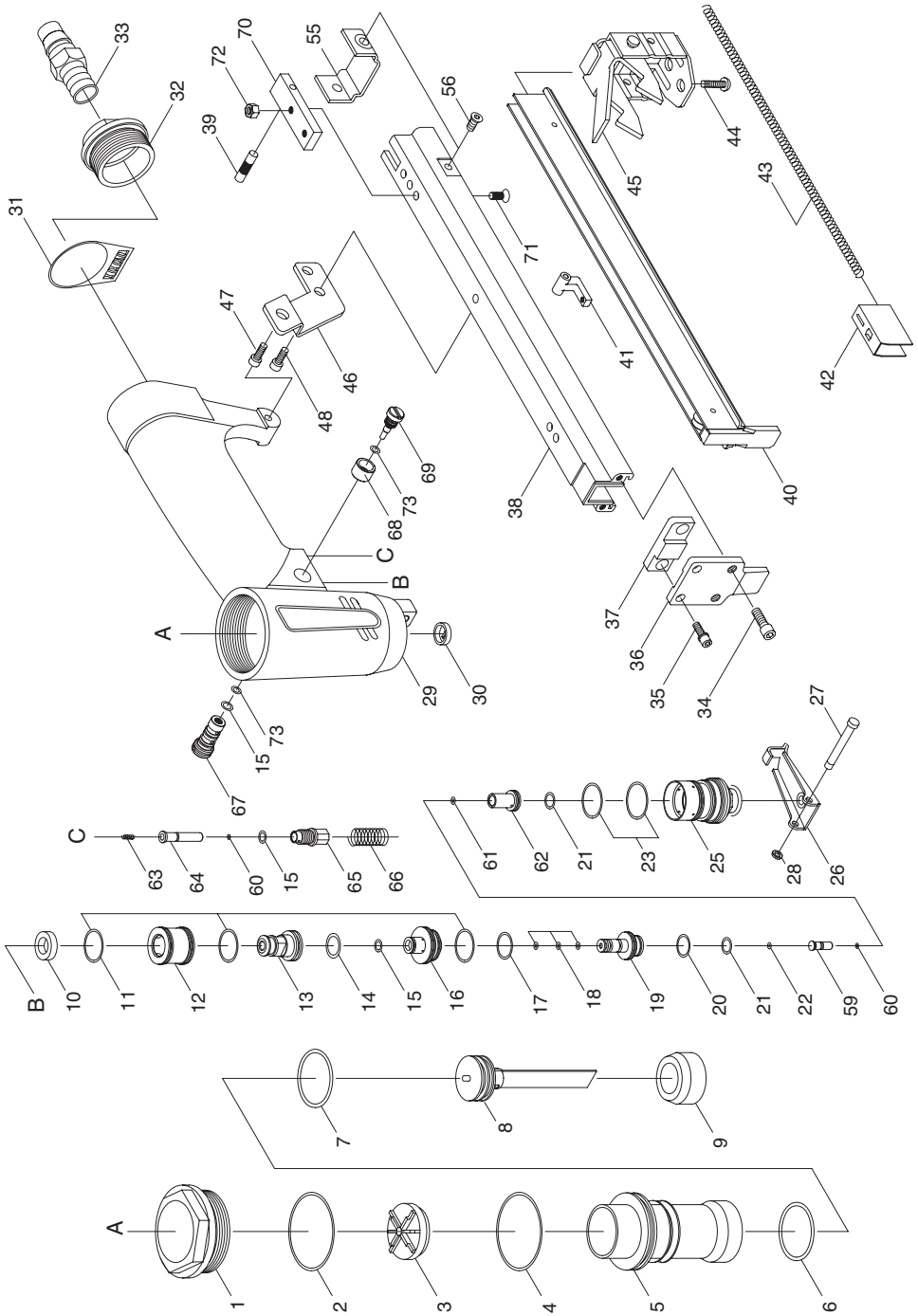


# H5627 PART BREAKDOWN



REF	PART #	DESCRIPTION
01	PH5627001	CAP
02	PH5627002	O-RING
03	PH5627003	CYL. PRESS RING
04	PH5627004	O-RING
05	PH5627005	CYLINDER
06	PH5627006	O-RING
07	PH5627007	O-RING
08	PH5627008	DRIVER ASSEMBLY
09	PH5627009	BUMPER
10	PH5627010	COLLAR
11	PH5627011	O-RING
12	PH5627012	VALVE
13	PH5627013	VALVE PLUNGER
14	PH5627014	O-RING
15	PH5627015	O-RING
16	PH5627016	COLLAR
17	PH5627017	O-RING
18	PH5627018	O-RING
19	PH5627019	VALVE PLUNGER
20	PH5627020	O-RING
21	PH5627021	O-RING
22	PH5627022	O-RING
23	PH5627023	O-RING
25	PH5627025	PLUNGER CAP
26	PH5627026	TRIGGER
27	PH5627027	PIN
28	PH5627028	O-RING
29	PH5627029	BODY
30	PH5627030	DRIVER GUIDE
31	PH5627031	EXHAUST DIFFUSER
32	PH5627032	COVER
33	PH5627033	1/4" NPT CONNECT

REF	PART #	DESCRIPTION
34	PSB23M	CAP SCR M4-.7 X 12
35	PSB53M	CAP SCR M5-.8 X 18
36	PH5627036	NOSE
37	PH5627037	SET PLATE
38	PH5627038	MAGAZINE
39	PH5627039	SHAFT
40	PH5627040	STAPLE GUIDE UNIT
41	PH5627041	SET PLATE
42	PH5627042	PUSHER
43	PH5627043	SPRING
44	PSB114M	BTN HD CAP SCR M4-.7 X 8
45	PH5627045	END CORE ASM.
46	PH5627046	BRACKET
47	PSB24M	CAP SCR M5-.8 X 16
48	PSB23M	CAP SCR M4-.7 X 12
55	PH5627055	SET PLATE
56	PH5627056	FLT HD SCR M4-.7 X 6
59	PH5627059	PLUNGER
60	PH5627060	O-RING
61	PH5627061	O-RING
62	PH5627062	SLEEVE
63	PH5627063	SPRING
64	PH5627064	PLUNGER
65	PH5627065	PLUNGER CAP
66	PH5627066	SPRING
67	PH5627067	REGULATOR ASM.
68	PH5627068	PILOT SLEEVE
69	PH5627069	RAPID FIRE ADJ KNOB
70	PH5627070	SET BLOCK
71	PFH33M	FLT HD SCR M4-.7 X 11
72	PLN01M	LOCK NUT M4-.7
73	PH5627073	O-RING