

Grizzly *Industrial, Inc.*®

ROUTER TABLE MODEL H3114 PARTS LIST

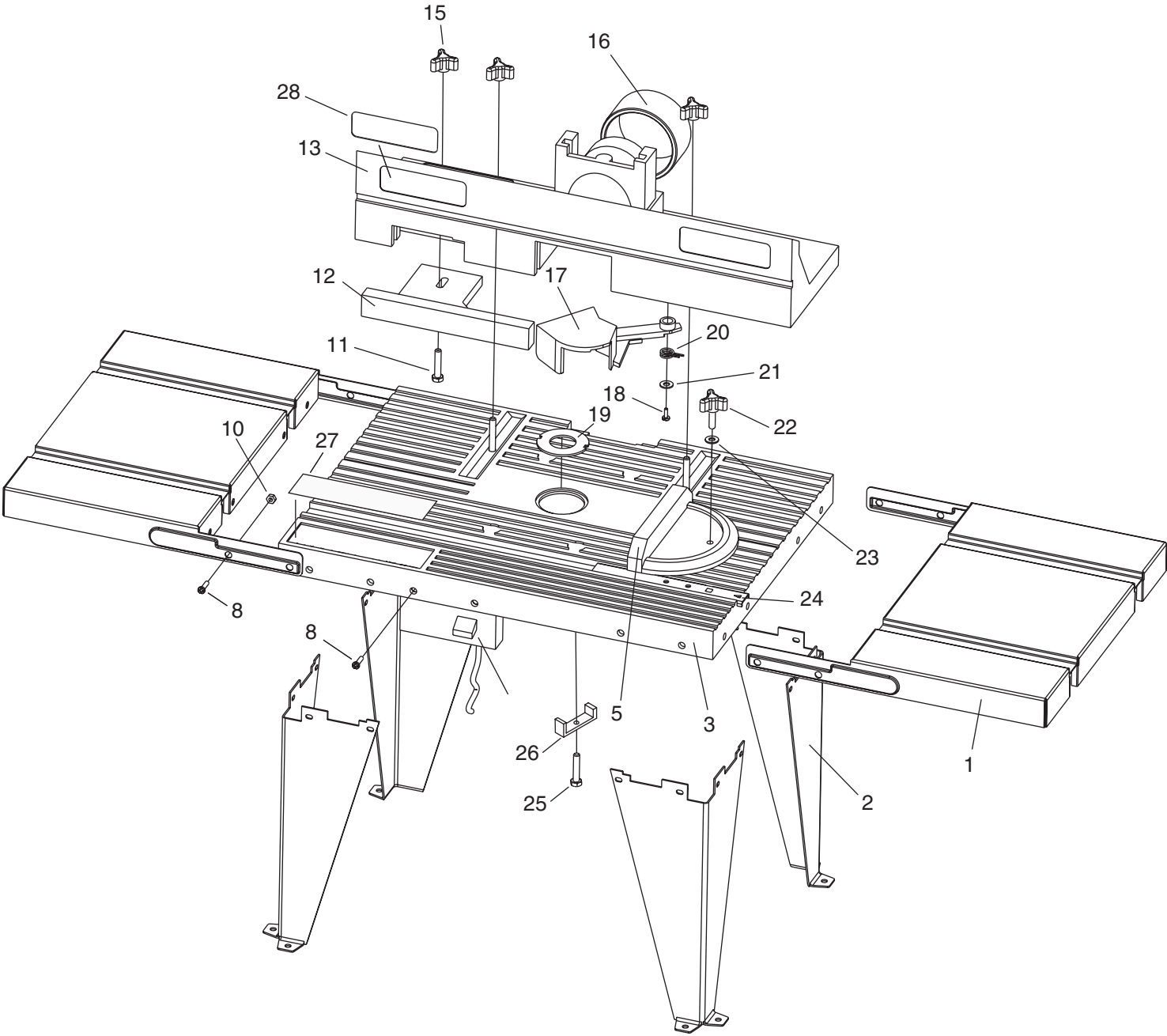


COPYRIGHT © DECEMBER 2002 BY GRIZZLY INDUSTRIAL, INC
**WARNING: NO PORTION OF THIS MANUAL MAY BE REPRODUCED IN ANY SHAPE
OR FORM WITHOUT THE WRITTEN APPROVAL OF GRIZZLY INDUSTRIAL, INC.**
PRINTED IN CHINA

ONLINE PARTS LIST DISCLAIMER

THESE PARTS REPRESENT THE CONFIGURATION OF THE MACHINE AS IT IS CURRENTLY BEING SHIPPED. THE MACHINE CONFIGURATION CAN CHANGE AS PRODUCT IMPROVEMENTS ARE INCORPORATED. IF YOU OWN AN EARLIER VERSION OF THE MACHINE, THIS PARTS LIST MAY NOT EXACTLY DEPICT YOUR MACHINE. CONTACT CUSTOMER SERVICE IF YOU HAVE ANY QUESTIONS ABOUT PART DIFFERENCES. PREVIOUS PARTS LIST VERSIONS ARE NOT AVAILABLE ONLINE.

PARTS BREAKDOWN AND LIST



REF	PART #	DESCRIPTION
1	PH3114001	EXTENSION TABLE
2	PH3114002	LEG
3	PH3114003	MAIN TABLE
5	PH3114005	MITER BODY
6	PH3114006	SWITCH
8	PS40	#10-32 x 3/4" TRUSS HD PHLP SCR
10	PN29	#10-32 HEX NUT (KEPS)
11	PB09M	M8-1.25 x 20 HEX BOLT
12	PH3114012	POCKET JOINTING FENCE
13	PH3114013	MAIN FENCE
15	PH3114015	M8-1.25 THREADED KNOB
16	PH3114016	DUST COLLECTION INSERT

REF	PART #	DESCRIPTION
17	PH3114017	SAFETY GUARD
18	PHTEK5M	M4 X 12 (TYPE B) TAP SCREW
19	PH3114019	TABLE INSERT (5)
20	PH3114020	SPRING
21	PW02M	M5 FLAT WASHER
22	PH3114022	M8-1.25 x 12 KNOB BOLT
23	PW09M	M7 FLAT WASHER
24	PH3114024	MITER BAR
25	PCB05M	M5-0.8 X 45 CARRIAGE BOLT
26	PH3114026	CLAMPS
27	PH3114027	LOGO (LARGE)
28	PH3114028	LOGO (SMALL)