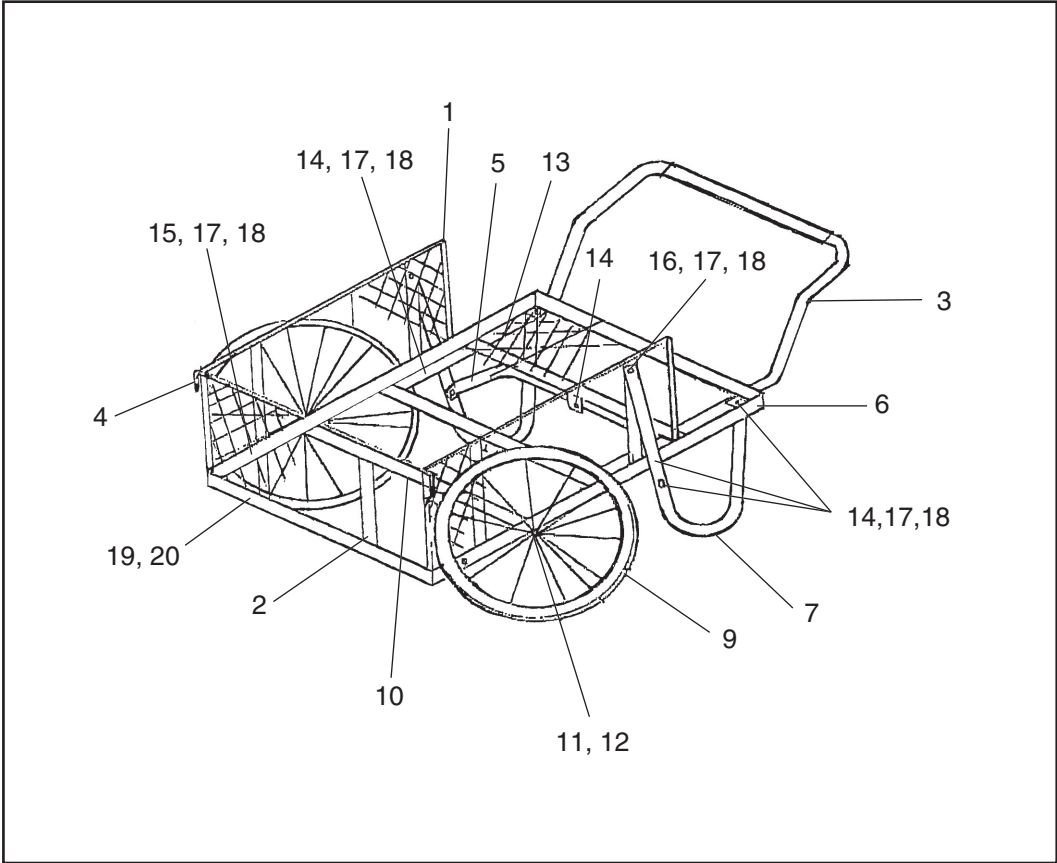


# H3034 Parts Breakdown and List



REF	PART#	DESCRIPTION
1	PH3034001	FENCE
2	PH3034002	TAILGATE
3	PH3034003	HANDLE
4	PH3034004	TAILGATE LATCH
5	PH3034005	SUPPORT BAR
6	PH3034006	BASE
7	PH3034007	LEG
9	PH3034009	WHEEL 26 X 2.125
10	PH3034010	AXLE
11	PW13M	FLAT WASHER 20MM

REF	PART#	DESCRIPTION
12	PH3034012	COTTER PIN 4MM X 42MM
13	PB03M	HEX BOLT M8-1.25 X 16
14	PB15M	HEX BOLT M8-1.25 X 40
15	PB26M	HEX BOLT M8-1.25 X 30
16	PB118M	HEX BOLT M8-1.25 X 45
17	PLN04M	LOCK NUT M8-1.25
18	PW01M	FLAT WASHER 8MM
19	PS90M	PHLP HD SCR M6-1 X 70
20	PLN03M	LOCK NUT M6-1