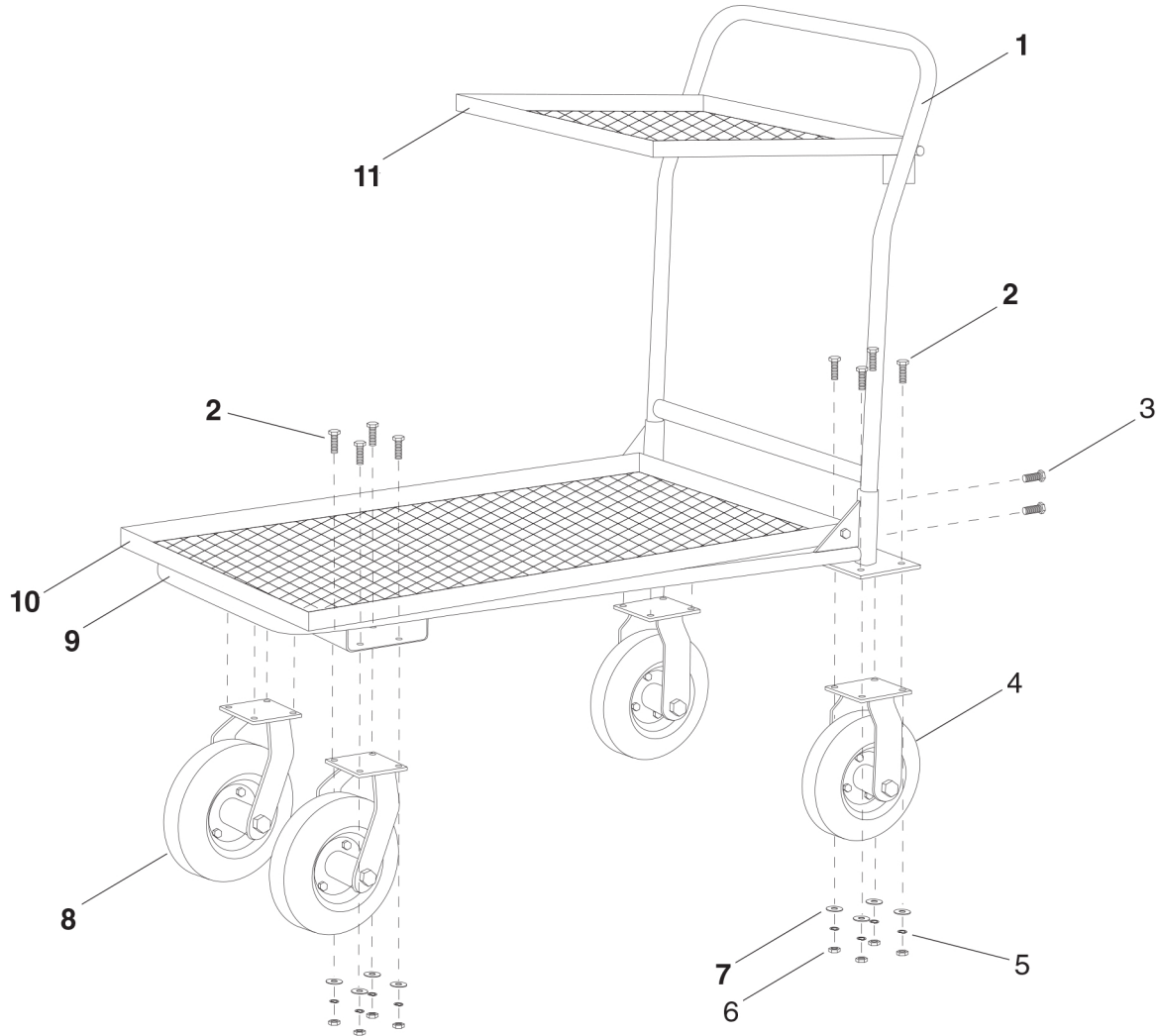


H3031 Parts Breakdown and List



REF	PART#	DESCRIPTION
1	PH3031001	HANDLE
2	PB32M	HEX BOLT M10-1.5 X 25
3	PB74M	HEX BOLT M10-1.5 X 20
4	PH3031004	REAR WHEEL
5	PLW06M	LOCK WASHER 10MM
6	PN02M	HEX NUT M10-1.5

REF	PART#	DESCRIPTION
7	PW04M	FLAT WASHER 10MM
8	PH3031008	FRONT WHEEL
9	PH3031009	FRAME
10	PH3031010	BED
11	PH3031011	TOP SHELF