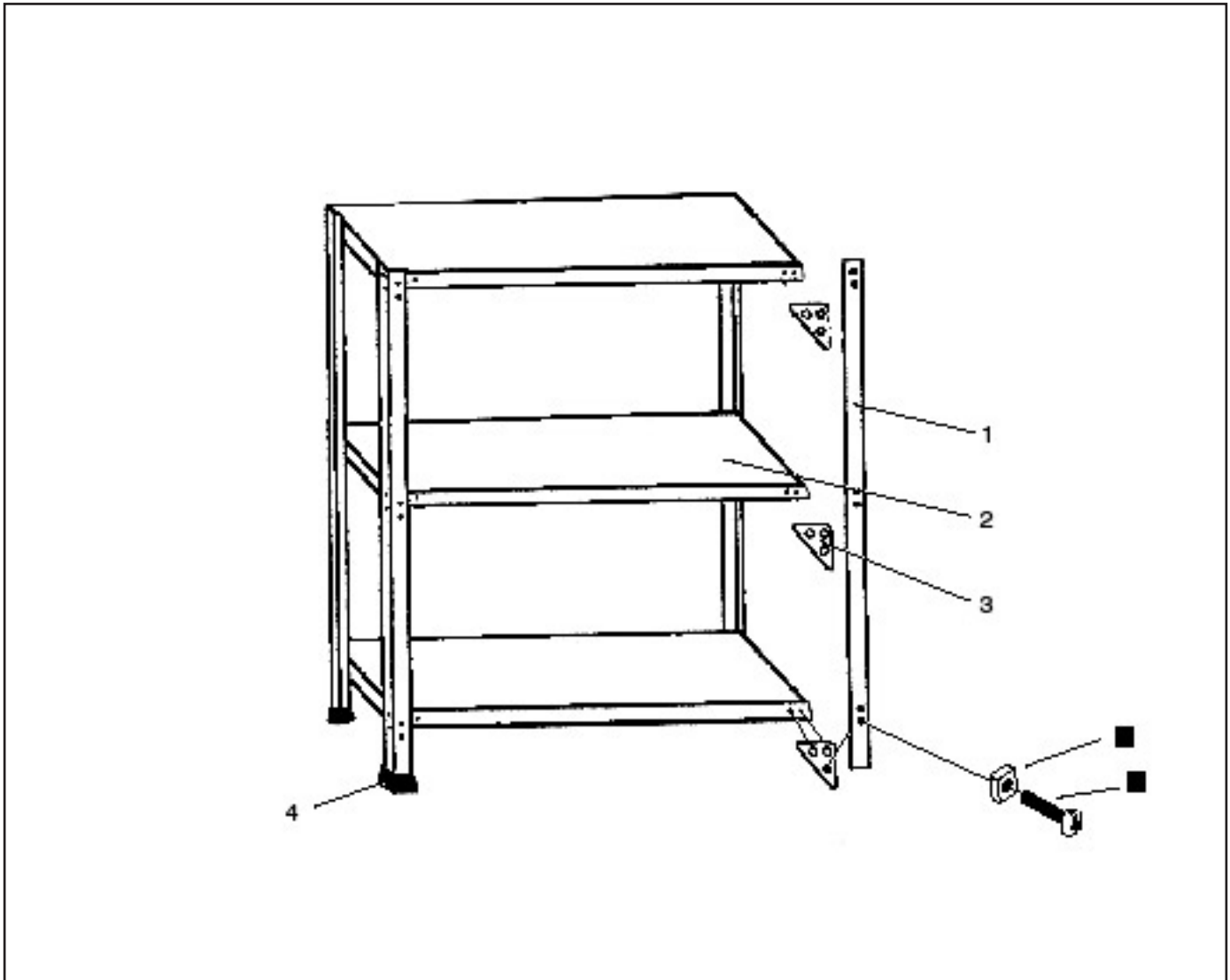


H2872 & H2873 Parts Breakdown and List



Model H2872

REF	PART #	DESCRIPTION
1	PH2872001	LEG
2	PH2872002	SHELF
3	PH2872003	CORNER BRACE
4	PH2872004	PLASTIC FEET
5	PS68M	SLOTTED SCREW M6-1 X 10
6	P8976044	SQUARE NUT M-6

Model H2873

REF	PART #	DESCRIPTION
1	PH2873001	LEG
2	PH2873002	SHELF
3	PH2872003	CORNER BRACE
4	PH2872004	PLASTIC FEET
5	PS68M	SLOTTED SCREW M6-1 X 10
6	P8976044	SQUARE NUT M-6

COPYRIGHT © JULY, 2004 BY GRIZZLY INDUSTRIAL, INC.
**WARNING: NO PORTION OF THIS MANUAL MAY BE REPRODUCED IN ANY SHAPE
 OR FORM WITHOUT THE WRITTEN APPROVAL OF GRIZZLY INDUSTRIAL, INC.**
 #PC6407 PRINTED IN CHINA