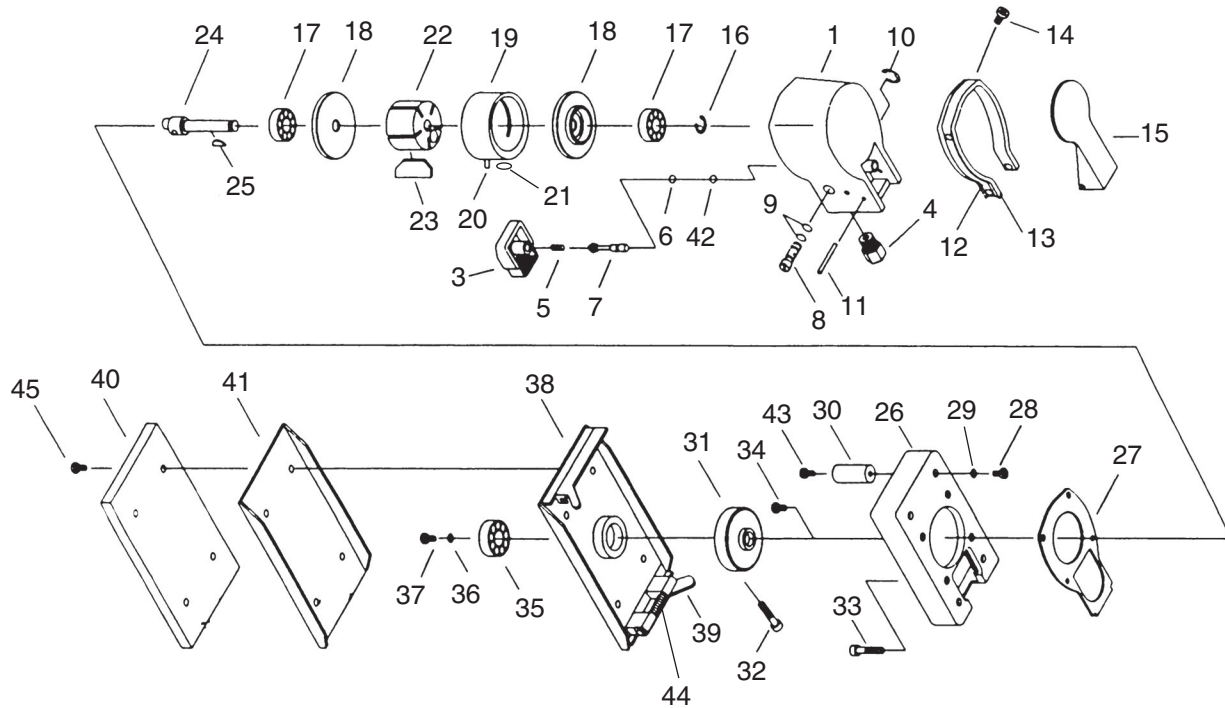


H0594 Parts Breakdown and List



REF	PART #	DESCRIPTION
1	PH0594001	MOTOR HOUSING
3	PH0594003	MUFFLER
4	PH0594004	HOUSING ADAPTOR
5	PH0594005	SPRING
6	PH0594006	O-RING
7	PH0594007	PLUNGER
8	PH0594008	SPEED REGULATOR
9	PH0594009	O-RING
10	PEC08M	E-CLIP 16MM
11	PH0594011	ROLL PIN 2.7 X 36
12	PH0594012	GRIP BAND
13	PH0594013	RUBBER GRIP
14	PS07M	PHLP HD SCR M4-.7 X 8
15	PH0594015	THROTTLE LEVER
16	PH0594016	RETAINING RING
17	P6200	BALL BEARING 6200ZZ
18	PH0594018	END PLATE
19	PH0594019	CYLINDER
20	PH0594020	LOCATING PIN
21	PH0594021	O-RING
22	PH0594022	ROTOR
23	PH0594023	ROTOR BLADE

REF	PART #	DESCRIPTION
24	PH0594024	ROTOR SHAFT
25	PH0594025	ROTOR KEY
26	PH0594026	BASE
27	PH0594027	GASKET
28	PS09M	PHLP HD SCR M5-.8 X 10
29	PLW01M	LOCK WASHER 5MM
30	PH0594030	RUBBER MOUNT
31	PH0594031	BALANCER
32	PH0594032	BALANCER LOCK SCREW
33	PH0594033	CAP SCREW
34	PH0594034	CAP SCREW
35	P6200	BALL BEARING 6200ZZ
36	PH0594036	WASHER
37	PH0594037	SHAFT LOCK SCREW
38	PH0594038	SHOE PLATE
39	PH0594039	PAPER CLAMP ASSY
40	PH0594040	SANDING PAD
41	PH0594041	STAINLESS STEEL PLATE
42	PH0594042	O-RING
43	PS09M	PHLP HD SCR M5-.8 X 10
44	PH0594044	TORSION SPRING
45	PS05M	PHLP HD SCR M5-.8 X 8