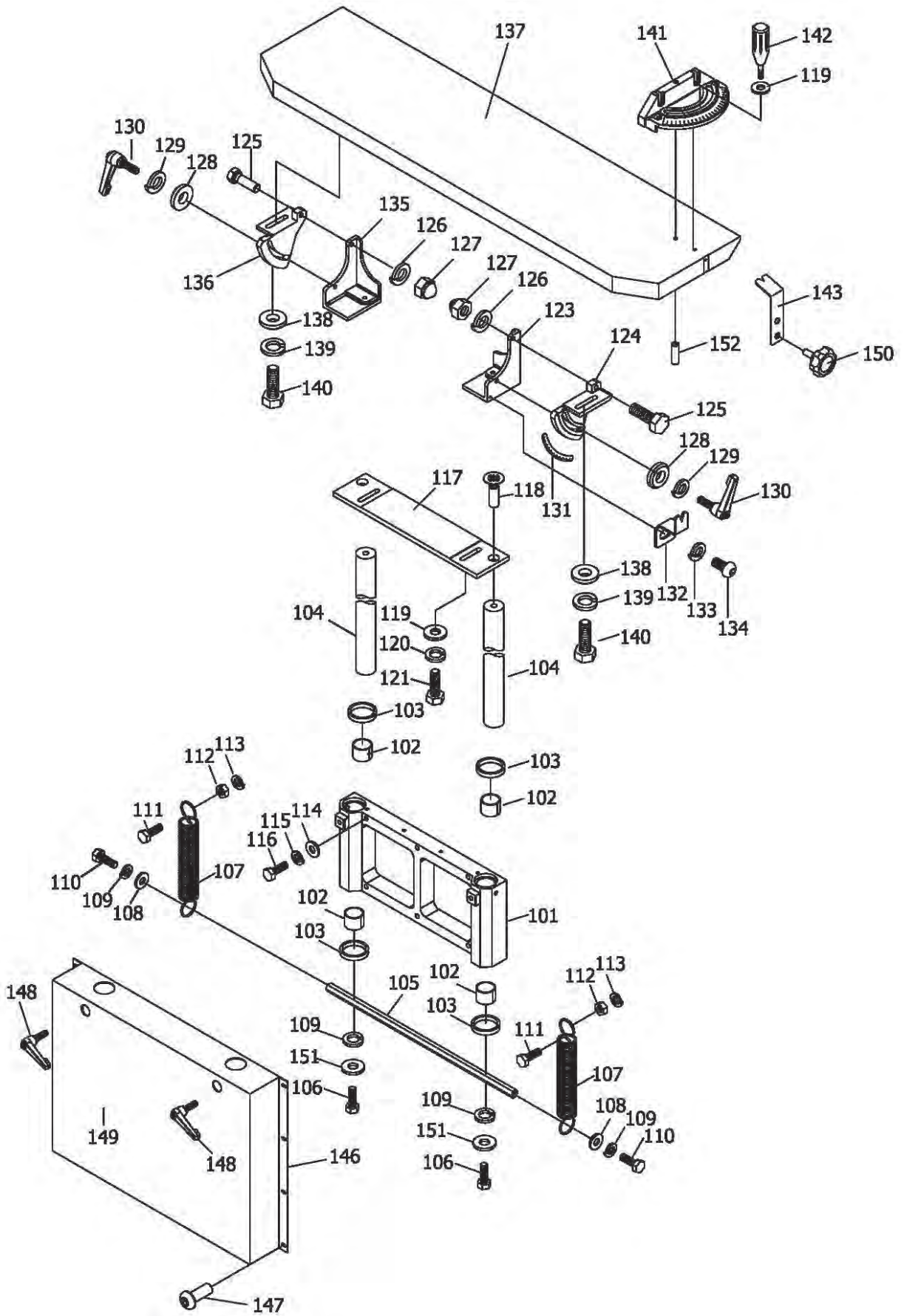


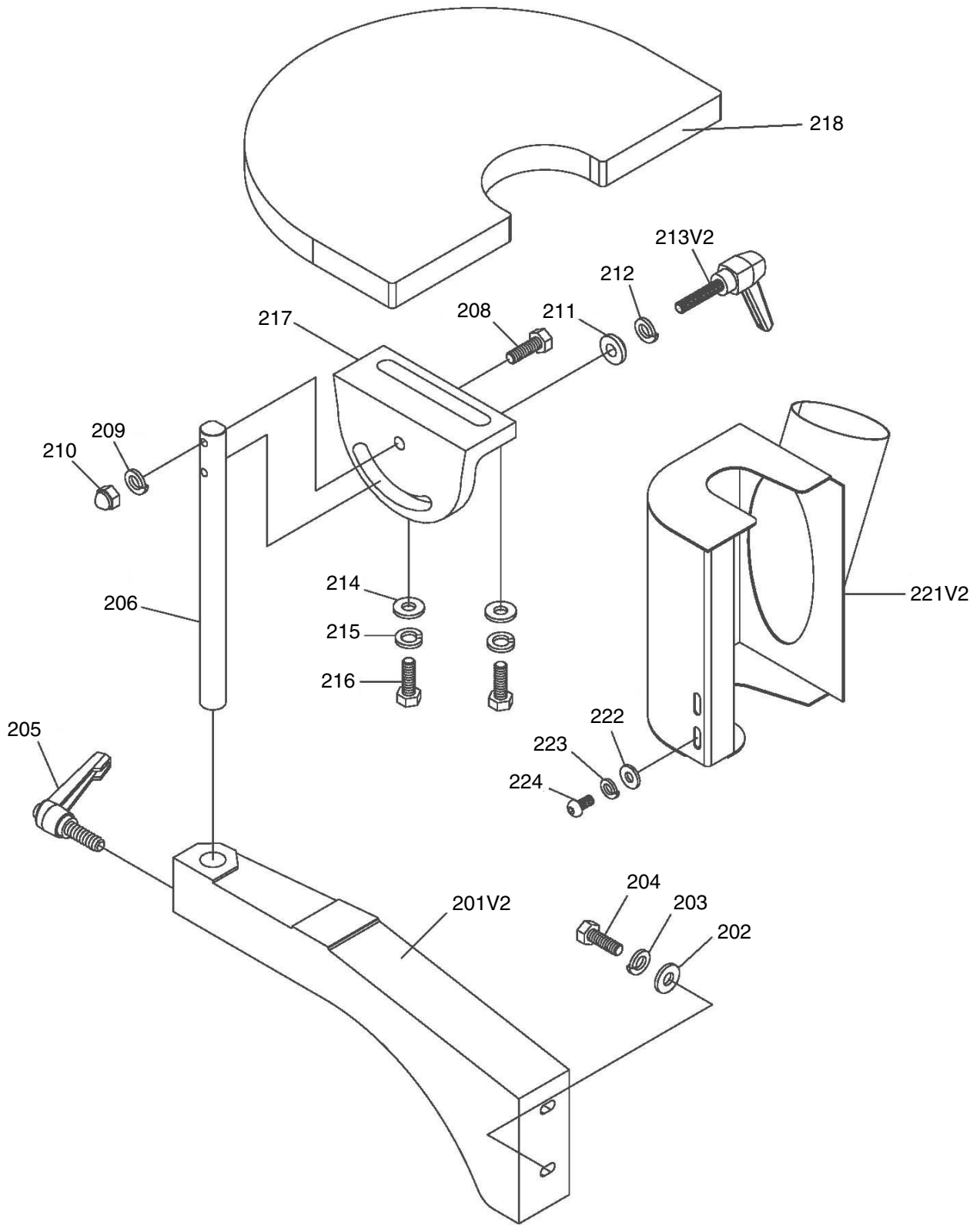
REF	PART #	DESCRIPTION
1	P9984001	MACHINE BASE
2	P9984002	MAGNETIC SWITCH-G9984
2	P9985002	MAGNETIC SWITCH-G9985
3	P9984003	COVER
4	P9984004	PHLP HD SCR M6-1.0 X 12
5	P9984005	BRACKET
6	P9984006	FLAT WASHER ¼"
7	P9984007	LOCK WASHER ¼"
8	P9984008	PHLP HD SCR M6-1.0 X 20
9	P9984009	RUBBER FOOT
13	P9984013	BASE SUPPORT
15	P9984015	FLAT WASHER 10mm
17	P9984017	SUPPORT
18	P9984018	FLAT WASHER 3/8"
19	P9984019	LOCK WASHER 10mm
20	P9984020	HEX BOLT M10-1.5 x 40
21	P9984021	SANDING BELT 9" x 138½"
22	P9984022	PLATTEN 7/16" X 1389/16"
23	P9984023	PLATE
24	P9984024	LOCK WASHER 5mm
25	P9984025	PHLP HD SCR M5-0.8 X 16
27	P9984027	BRACKET
28	P9984028	FLAT WASHER ¼"
29	P9984029	LOCK WASHER ¼"

REF	PART #	DESCRIPTION
30	P9984030	PHLP HD SCR M6-1 X 16
31	P9984031	BRACKET
32	P9984032	DUST HOOD
33	P9984033	GUARD PLATE
34	P9984034	FLAT WASHER ¼"
35	P9984035	LOCK WASHER ¼"
36	P9984036	PHLP HD SCR M6-1 X 16
37	P9984037	GUARD PLATE
38	P9984038	FLAT WASHER ¼"
39	P9984039	PHLP HD SCR M6-1 X 8
40	P9984040	U HANDLE
41	P9984041	PHLP HD SCR M8-1.25 x 16
42	P9984042	HEX NUT M8-1.25
43	P9984043	STAR KNOB M10-1.5 X 15
44	P9984044	EYE BOLT M10-1.5 X 12
45	P9984045	HEX BOLT M10-1.5 X 30
46	P9984046	ELECTRICITY LABEL
47	P9984047	READ MANUAL LABEL
48	P9984048	SAFETY GLASSES LABEL
49	P9984049	UNPLUG MACHINE LABEL
50V2	P9984050V2	KNOB BOLT 7-LOBE, 1/4/20 X 3/4
51	P9984051	CLIPPER
52	P9984052	FLAT HD SCR M3-.5 X 6
53	P9984053	HEX NUT M10-1.5



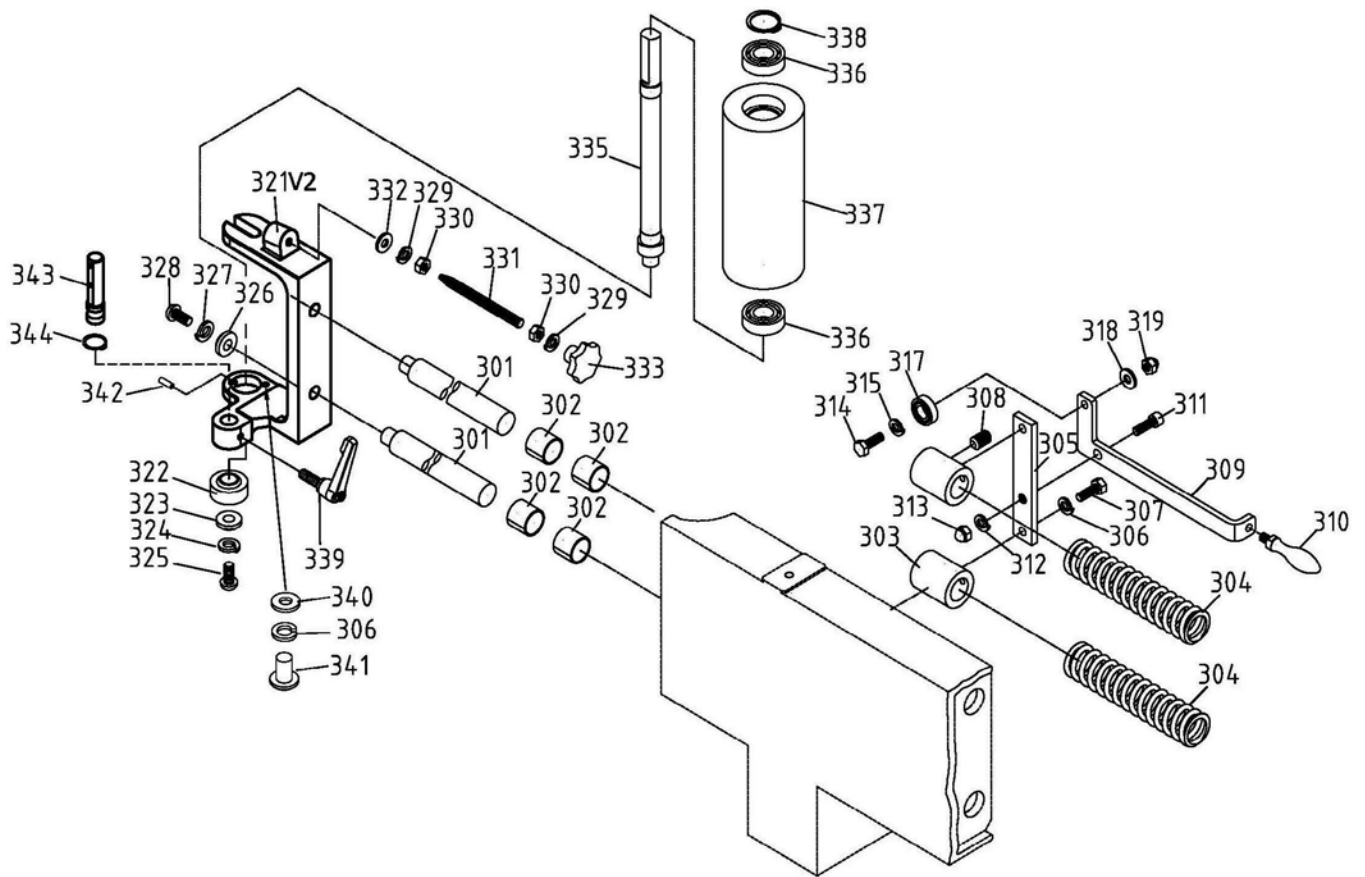
REF	PART #	DESCRIPTION
101	P9984101	ELEVATION BLOCK
102	P9984102	BRUSH
103	P9984103	SEAL
104	P9984104	SHAFT
105	P9984105	LINK
106	P9984106	HEX BOLT M8-1.25 X 25
107	P9984107	SPRING
108	P9984108	FLAT WASHER 5/16"
109	P9984109	LOCK WASHER 5/16"
110	P9984110	HEX BOLT M8-1.25 X 12
111	P9984111	HEX BOLT M10-1.5 X 60
112	P9984112	HEX NUT M10-1.5
113	P9984113	LOCK WASHER 10mm
114	P9984114	FLAT WASHER 5/16"
115	P9984115	LOCK WASHER 5/16"
116	P9984116	HEX BOLT M8-1.25 X 55
117	P9984117	ADJUSTMENT PLATE
118	P9984118	FLAT HD ALLEN SCR M10-1.5 X 25
119	P9984119	FLAT WASHER 10mm
120	P9984120	LOCK WASHER 10mm
121	P9984121	HEX BOLT M10-1.5 X 35
122	P9984122	TABLE UNIT
123	P9984123	BRACKET (R)
124	P9984124	ADJUSTMENT BASE (R)
125	P9984125	HEX BOLT M10-1.5 X 35
126	P9984126	LOCK WASHER 10mm

REF	PART #	DESCRIPTION
127	P9984127	HEX NUT M10-1.5
128	P9984128	FLAT WASHER 10mm
129	P9984129	LOCK WASHER 10mm
130	P9984130	LOCK HANDLE M10-1.5 X 35
131	P9984131	INDICATOR SCALE
132	P9984132	POINTER
133	P9984133	LOCK WASHER 5mm
134	P9984134	PHLP HD SCR M5-0.8 X 10
135	P9984135	BRACKET (L)
136	P9984136	ADJUSTMENT BASE (L)
137	P9984137	OUTSIDE TABLE
138	P9984138	FLAT WASHER 3/8"
139	P9984139	LOCK WASHER 10mm
140	P9984140	HEX BOLT M10-1.5 X 30
141	P9984141	MITER GAUGE
142	P9984142	MITER GAUGE HANDLE 5/16"
143	P9984143	POINTER
146	P9984146	COVER
147	P9984147	PHLP HD SCR M6-1.0 X 8
148	P9984148	LOCK HANDLE M12-1.75 X 40
149	P9984149	ID/WARNING LABEL G9984
149	P9985149	ID/WARNING LABEL G9985
150	P9984150	KNOB BOLT 7-LOBE, M5-.8 X 10
151	P9984151	FLAT WASHER 5/16"
152	P9984152	PIN M8 X 20



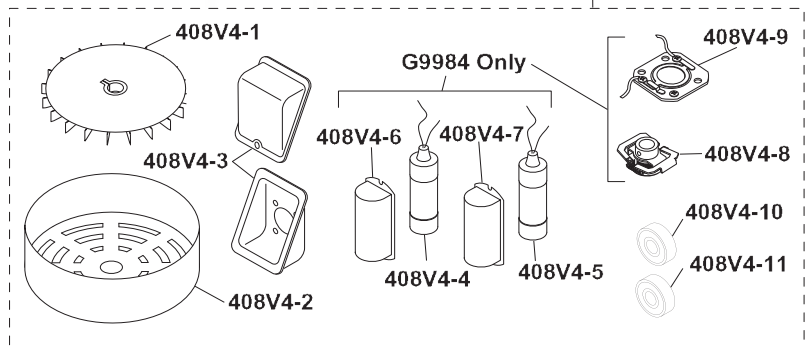
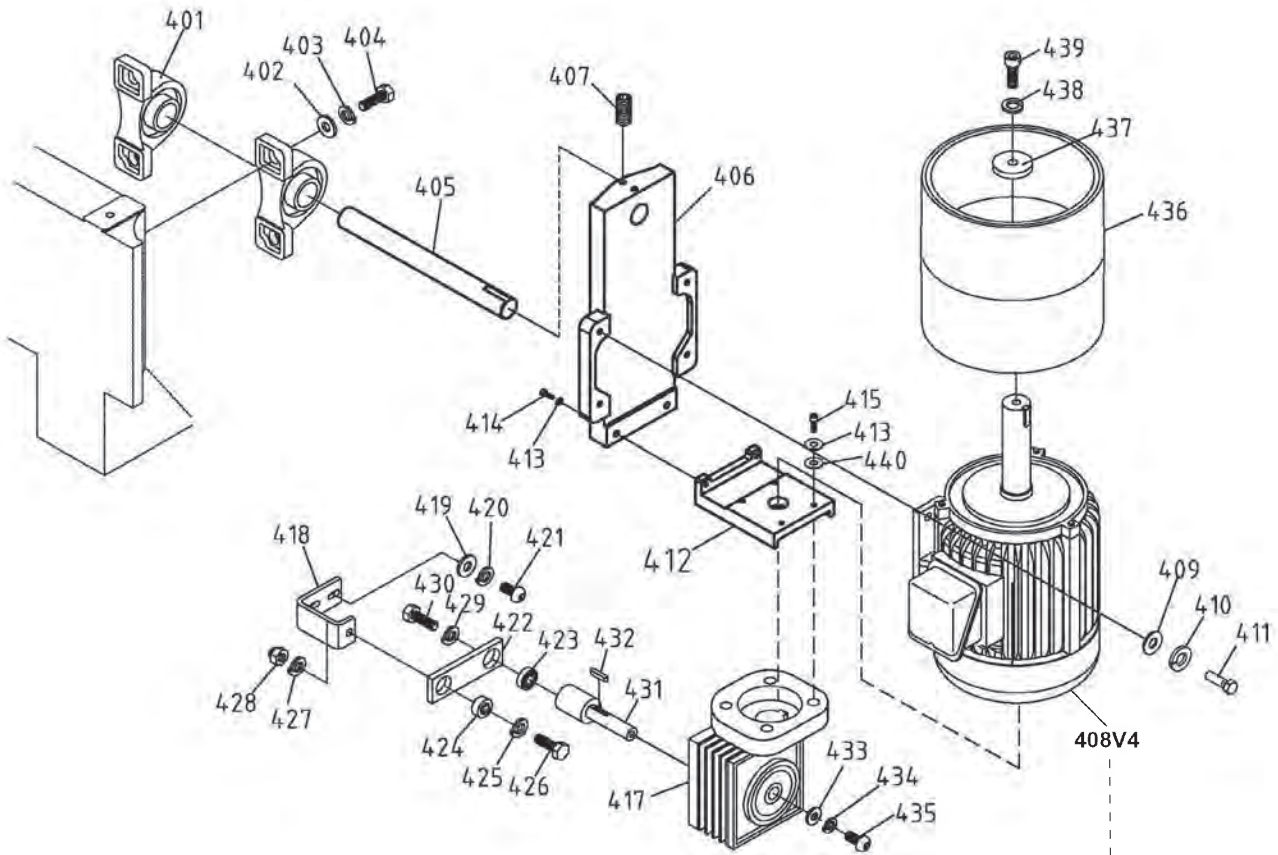
REF	PART #	DESCRIPTION
201V2	P9984201V2	SIDE TABLE SUPPORT V2.07.18
202	P9984202	FLAT WASHER 3/8"
203	P9984203	LOCK WASHER 10mm
204	P9984204	HEX BOLT M10-1.5 X 30
205	P9984205	LOCK HANDLE M10-1.5 X 25
206	P9984206	SHAFT
208	P9984208	HEX BOLT M10-1.5 X 50
209	P9984209	LOCK WASHER 10mm
210	P9984210	HEX NUT ACORN M10-1.5
211	P9984211	FLAT WASHER 10mm
212	P9984212	LOCK WASHER 10mm

REF	PART #	DESCRIPTION
213V2	P9984213V2	LOCK HANDLE M10-1.5 X 35
214	P9984214	FLAT WASHER 10mm
215	P9984215	LOCK WASHER 10mm
216	P9984216	HEX BOLT M10-1.5 X 20
217	P9984217	ADJUSTMENT BASE
218	P9984218	SIDE SANDING TABLE
221V2	P9984221V2	DUST HOOD V2.07.18
222	P9984222	FLAT WASHER 5/16"
223	P9984223	LOCK WASHER 5/16"
224	P9984224	PHLP HD SCR M8-1.25 x 16



REF	PART #	DESCRIPTION
301	P9984301	SHAFT
302	P9984302	BRUSH
303	P9984303	STOPPER BLOCK
304	P9984304	SPRING
305	P9984305	PLATE
306	P9984306	LOCK WASHER 10mm
307	P9984307	HEX BOLT M10-1.5 X 20
308	P9984308	SET SCREW M10-1.5 X 10
309	P9984309	LEVER
310	P9984310	HANDLE M10-1.5
311	P9984311	CAP SCREW M10-1.5 X 30
312	P9984312	LOCK WASHER 12mm
313	P9984313	HEX NUT ACORN M12-1.75
314	P9984314	HEX BOLT M10-1.5 X 30
315	P9984315	LOCK WASHER 10mm
317	P9984317	BEARING 6003LLB
318	P9984318	FLAT WASHER 10mm
319	P9984319	HEX NUT ACORN M10-1.5
321V2	P9984321V2	BRACKET V2.07.18
322	P9984322	SPHERICAL BEARING PB20
323	P9984323	FLAT WASHER 10mm

REF	PART #	DESCRIPTION
324	P9984324	LOCK WASHER 10mm
325	P9984325	PHLP HD SCR M10-1.5 X 25
326	P9984326	FLAT WASHER 10mm
327	P9984327	LOCK WASHER 10mm
328	P9984328	PHLP HD SCR M10-1.5 X 25
329	P9984329	LOCK WASHER ½"
330	P9984330	HEX NUT M12-1.75
331	P9984331	THREADED ROD M12-1.75 X 140
332	P9984332	FLAT WASHER ½"
333	P9984333	STAR KNOB
335	P9984335	SHAFT
336	P9984336	BEARING NSK6205
337	P9984337	ROLLER
338	P9984338	EXT RETAINING RING 25mm
339	P9984339	LOCK HANDLE M10-1.5 X 20
340	P9984340	FLAT WASHER 3/8"
341	P9984341	PHLP HD SCR M10-1.5 x 16
342	P9984342	SET SCREW M6-1 X 12
343	P9984343	SHAFT
344	P9984344	EXT RETAINING RING 25mm



REF	PART #	DESCRIPTION
401	P9984401	PILLOW BLOCK BEARING
402	P9984402	FLAT WASHER ½"
403	P9984403	LOCK WASHER 12mm
404	P9984404	HEX BOLT M12-1.75 X 40
405	P9984405	SHAFT
406	P9984406	MOTOR BASE
407	P9984407	SET SCREW M10-1.5 X 10
409	P9984410	FLAT WASHER 3/8"
410	P9984411	LOCK WASHER 10mm
411	P9984412	HEX BOLT M10-1.5 X 30
412	P9984413	BRACKET
413	P9984414	LOCK WASHER 5/16"
414	P9984415	PHLP HD SCR M8-1.25 X 35
415	P9984416	CAP SCREW M8-1.25 X 16
417	P9984417	REDUCER CASING
418	P9984418	BRACKET
419	P9984419	FLAT WASHER 5/16"
420	P9984420	LOCK WASHER 5/16"
421	P9984421	PHLP HD SCR M8-1.25 X 20

REF	PART #	DESCRIPTION
422	P9984422	BEARING HOUSING
423	P9984423	BEARING 6001LLB
424	P9984424	SPHERICAL BEARING PB10
425	P9984425	LOCK WASHER 10mm
426	P9984426	HEX BOLT M10-1.5 X 35
427	P9984427	LOCK WASHER 10mm
428	P9984428	HEX NUT ACORN M10-1.5
429	P9984429	LOCK WASHER 12mm
430	P9984430	HEX BOLT M12-1.75 X 25
431	P9984431	CAM
432	P9984432	KEY 6 X 6 X 30
433	P9984433	FLAT WASHER 8mm
434	P9984434	LOCK WASHER 5/16"
435	P9984435	PHLP HD SCR M8-1.25 X 20
436	P9984436	DRIVE WHEEL
437	P9984437	FLAT WASHER 12
438	P9984438	LOCK WASHER 12mm
439	P9984439	CAP SCREW M12-1.75 X 25
440	P9984440	FLAT WASHER 8mm

G9984

REF	PART #	DESCRIPTION
408V4	P9984408V4	MOTOR 3HP 220V 1PH V4.11.11
408V4-1	P9984408V4-1	MOTOR FAN
408V4-2	P9984408V4-2	MOTOR FAN COVER
408V4-3	P9984408V4-3	MOTOR JUNCTION BOX
408V4-4	P9984408V4-4	S CAPACITOR 300M 250V
408V4-5	P9984408V4-5	R CAPACITOR 20M 500V
408V4-6	P9984408V4-6	S CAPACITOR COVER
408V4-7	P9984408V4-7	R CAPACITOR COVER
408V4-8	P9984408V4-8	CENTRIFUGAL SWITCH
408V4-9	P9984408V4-9	CONTACT PLATE
408V4-10	P9984408V4-10	FRONT MOTOR BEARING
408V4-11	P9984408V4-11	REAR MOTOR BEARING

G9985

REF	PART #	DESCRIPTION
408V4	P9985408V4	MOTOR 3HP 220V 3PH V4.11.11
408V4-1	P9985408V4-1	MOTOR FAN
408V4-2	P9985408V4-2	MOTOR FAN COVER
408V4-3	P9985408V4-3	MOTOR JUNCTION BOX
408V4-10	P9985408V4-10	FRONT MOTOR BEARING
408V4-11	P9985408V4-11	REAR MOTOR BEARING