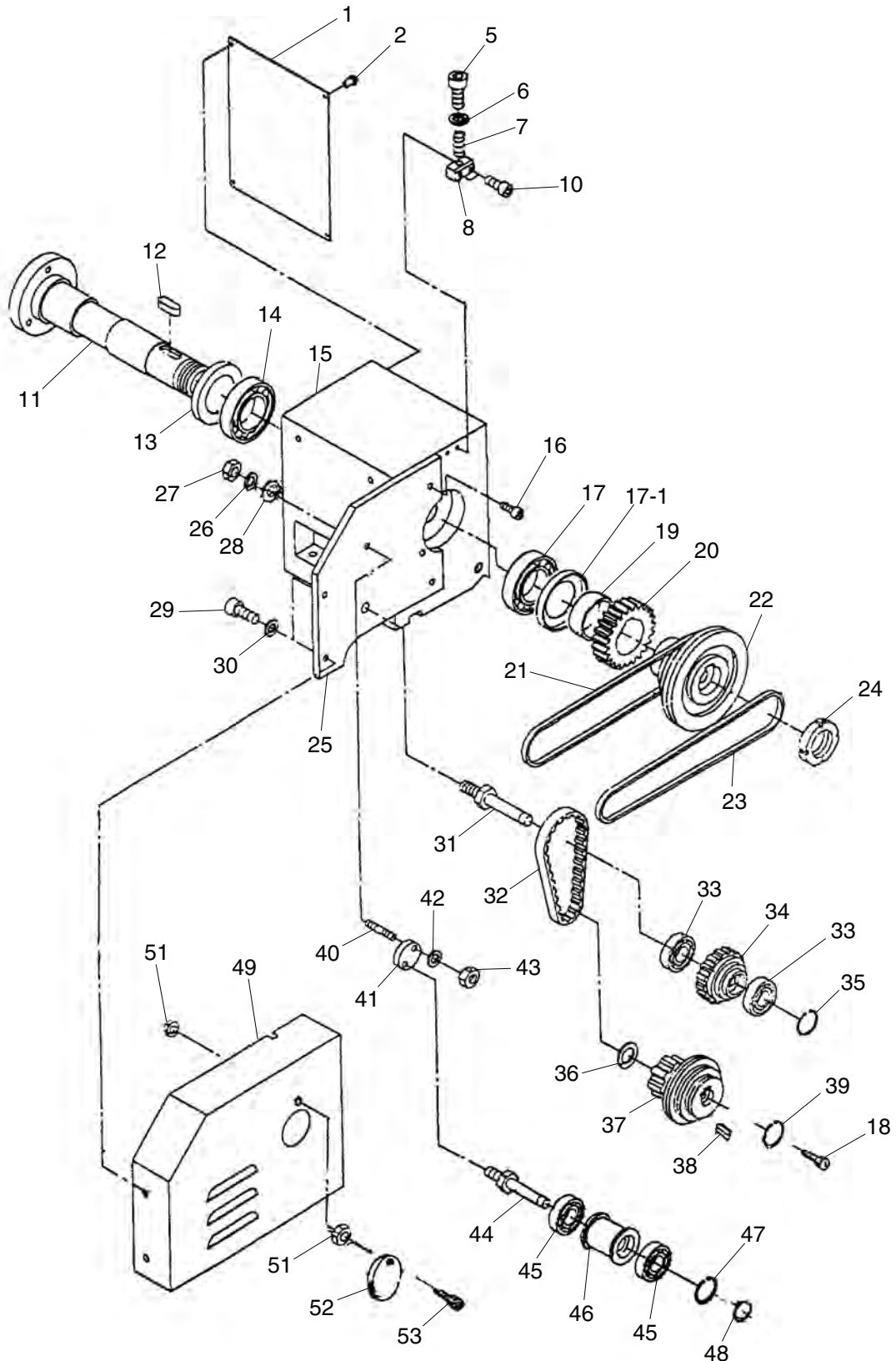


SECTION 9: PARTS

Headstock



Headstock Parts List

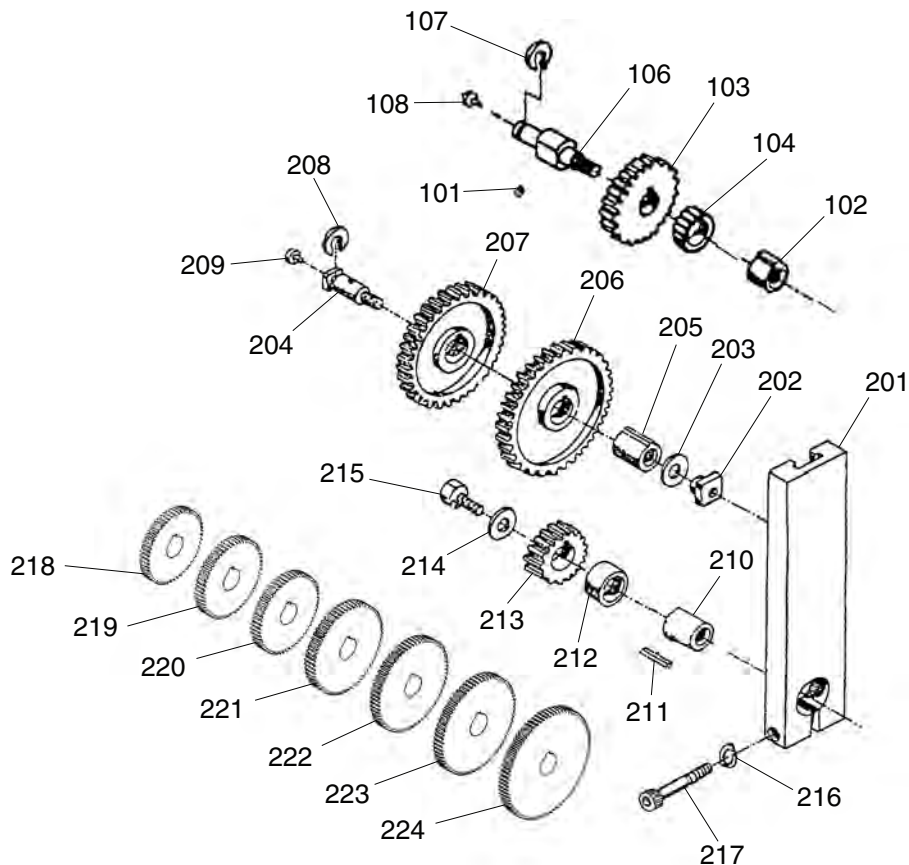
| REF | PART # | DESCRIPTION |
|------|--------------|--------------------------------|
| 1 | P9972Z0001 | HEADSTOCK NAMEPLATE |
| 2 | P9972Z0002 | PHLP HD SCR M4-.7 X 6 |
| 5 | P9972Z0005 | CAP SCREW M6-1 X 25 |
| 6 | P9972Z0006 | FLAT WASHER 6MM |
| 7 | P9972Z0007 | COMPRESSION SPRING .8 X 8 X 20 |
| 8 | P9972Z0008 | THREADED BLOCK |
| 10 | P9972Z0010 | CAP SCREW M6-1 X 25 |
| 11 | P9972Z0011 | SPINDLE |
| 12 | P9972Z0012 | KEY 10 X 10 X 55 |
| 13 | P9972Z0013 | SPACER |
| 14 | P9972Z0014 | TAPER ROLLER BEARING 32009 |
| 15 | P9972Z0015 | HEADSTOCK CASTING |
| 16 | P9972Z0016 | CAP SCREW M8-1.25 X 20 |
| 17 | P9972Z0017 | TAPER ROLLER BEARING 32009 |
| 17-1 | P9972Z0017-1 | BEARING CAP |
| 18 | P9972Z0018 | PHLP HD SCR M6-1 X 20 |
| 19 | P9972Z0019 | SPACER |
| 20 | P9972Z0020 | GEAR 45T |
| 21 | P9972Z0021 | V-BELT M-29 3L290 |
| 22 | P9972Z0022 | SPINDLE PULLEY |
| 23 | P9972Z0023 | V-BELT M-32 3L320 |
| 24 | P9972Z0024 | SPANNER NUT M30-3.5 |
| 25 | P9972Z0025 | BRACKET PLATE |
| 26 | P9972Z0026 | LOCK WASHER 10MM |
| 27 | P9972Z0027 | HEX NUT M10-1.5 |

| REF | PART # | DESCRIPTION |
|-----|------------|-------------------------|
| 28 | P9972Z0028 | FLAT WASHER 10MM |
| 29 | P9972Z0029 | CAP SCREW M5-.8 X 10 |
| 30 | P9972Z0030 | FLAT WASHER 30MM |
| 31 | P9972Z0031 | IDLER SHAFT |
| 32 | P9972Z0032 | TIMING BELT |
| 33 | P9972Z0033 | BALL BEARING 6001 2RS |
| 34 | P9972Z0034 | IDLER PULLEY |
| 35 | P9972Z0035 | INT RETAINING RING 12MM |
| 36 | P9972Z0036 | FLAT WASHER 18MM |
| 37 | P9972Z0037 | MOTOR PULLEY |
| 38 | P9972Z0038 | KEY 6 X 6 X 40 |
| 39 | P9972Z0039 | INT RETAINING RING 10MM |
| 40 | P9972Z0040 | THREADED HANDLE ROD |
| 41 | P9972Z0041 | PIVOT BRACKET |
| 42 | P9972Z0042 | FLAT WASHER 10MM |
| 43 | P9972Z0043 | HEX NUT M10-1.5 |
| 44 | P9972Z0044 | TENSIONING SHAFT |
| 45 | P9972Z0045 | BALL BEARING 6001 2RS |
| 46 | P9972Z0046 | IDLER ROLLER |
| 47 | P9972Z0047 | INT RETAINING RING 28MM |
| 48 | P9972Z0048 | EXT RETAINING RING 12MM |
| 49 | P9972Z0049 | CHANGE GEAR COVER |
| 51 | P9972Z0051 | HEX NUT M5-.8 |
| 52 | P9972Z0052 | OUTBOUND SPINDLE COVER |
| 53 | P9972Z0053 | PHLP HD SCR M5-.8 X 12 |

Please Note: We do our best to stock replacement parts whenever possible, but we cannot guarantee that all parts shown here are available for purchase. Call (800) 523-4777 or visit our online parts store at www.grizzly.com to check for availability.



Change Gears

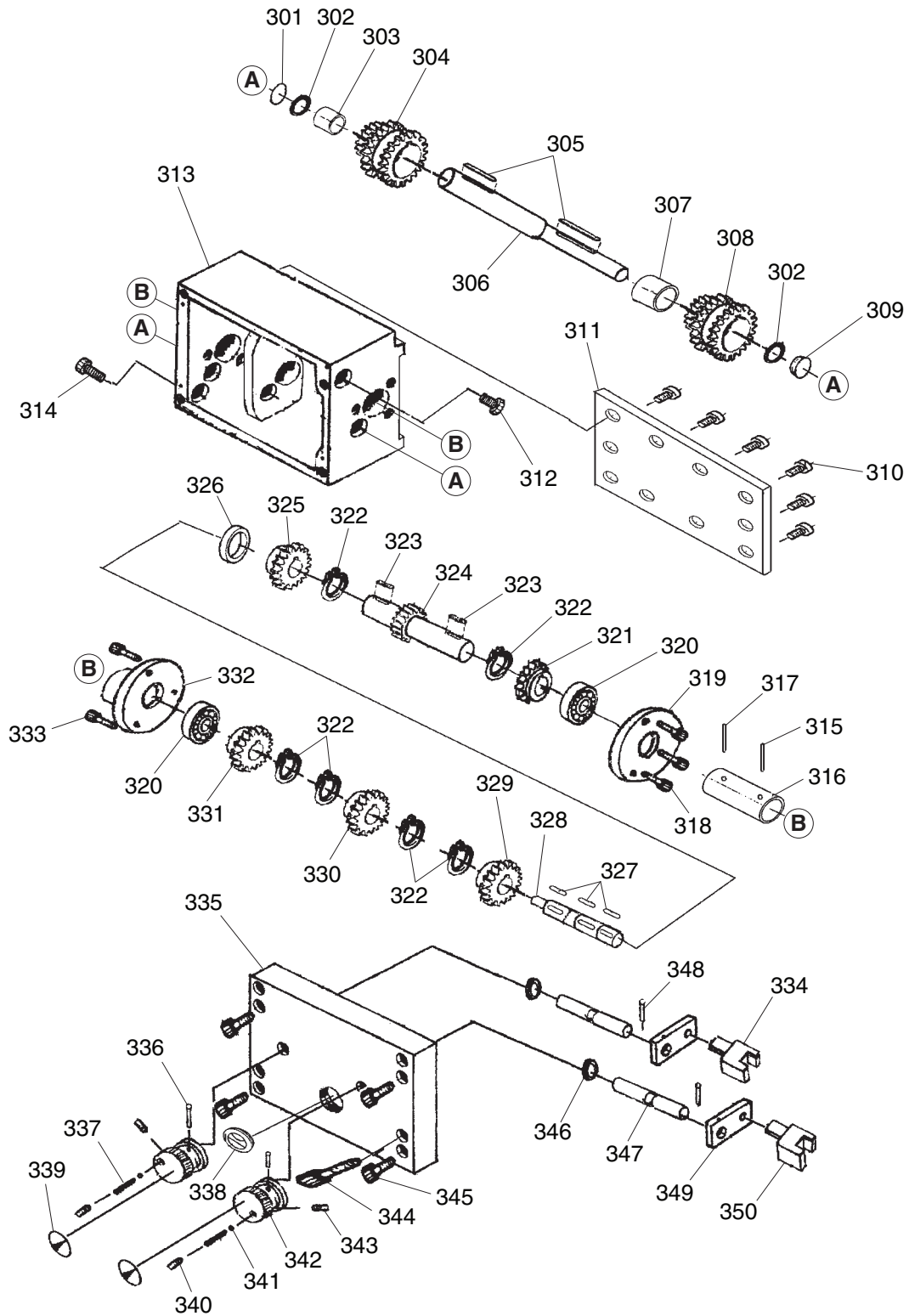


| REF | PART # | DESCRIPTION |
|-----|------------|-------------------------|
| 101 | P9972Z0101 | SET SCREW M6-1 X 10 |
| 102 | P9972Z0102 | BUSHING |
| 103 | P9972Z0103 | GEAR 45T |
| 104 | P9972Z0104 | GEAR 24T |
| 106 | P9972Z0106 | SHAFT |
| 107 | P9972Z0107 | CLIPPED WASHER 8MM |
| 108 | P9972Z0108 | BALL OILER 6MM PRESS-IN |
| 201 | P9972Z0201 | CHANGE GEAR BRACKET |
| 202 | P9972Z0202 | PULLEY SHAFT SQUARE NUT |
| 203 | P9972Z0203 | FLAT WASHER 6MM |
| 204 | P9972Z0204 | SHAFT |
| 205 | P9972Z0205 | KEYED BUSHING |
| 206 | P9972Z0206 | GEAR 127T |
| 207 | P9972Z0207 | GEAR 120T |
| 208 | P9972Z0208 | RETAINING CLIP |
| 209 | P9972Z0209 | BALL OILER 6MM PRESS-IN |

| REF | PART # | DESCRIPTION |
|-----|------------|------------------------|
| 210 | P9972Z0210 | BUSHING |
| 211 | P9972Z0211 | KEY 4 X 4 X 14 |
| 212 | P9972Z0212 | SPACER |
| 213 | P9972Z0213 | GEAR 84T |
| 214 | P9972Z0214 | FLAT WASHER 6MM |
| 215 | P9972Z0215 | CAP SCREW M6-1 X 10 |
| 216 | P9972Z0216 | LOCK WASHER 8MM |
| 217 | P9972Z0217 | CAP SCREW M8-1.25 X 40 |
| 218 | P9972Z0218 | GEAR 28T |
| 219 | P9972Z0219 | GEAR 35T |
| 220 | P9972Z0220 | GEAR 63T |
| 221 | P9972Z0221 | GEAR 69T |
| 222 | P9972Z0222 | GEAR 70T |
| 223 | P9972Z0223 | GEAR 77T |
| 224 | P9972Z0224 | GEAR 78T |



Feed Rate Gearbox



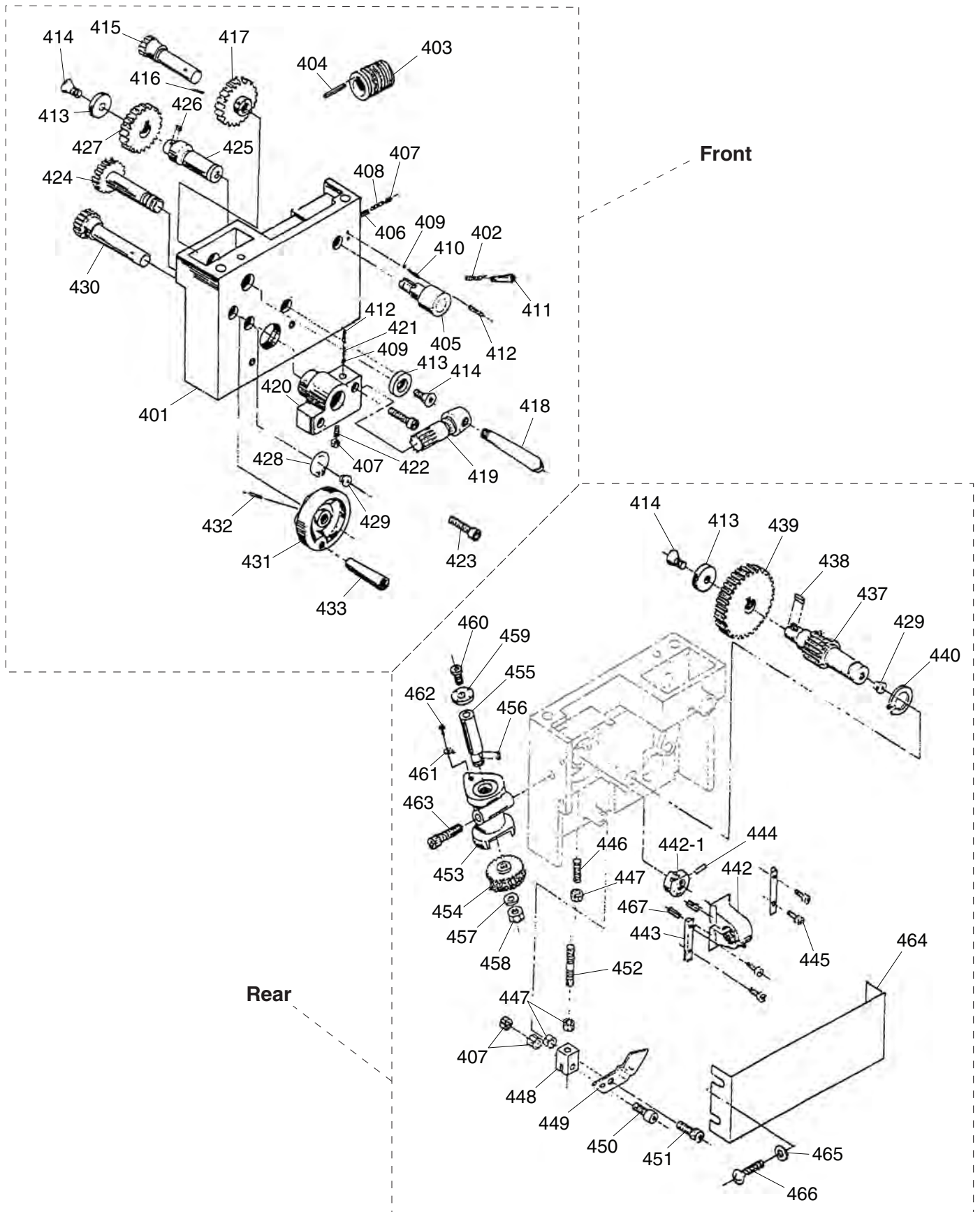
Feed Rate Gearbox Parts List

| REF | PART # | DESCRIPTION |
|-----|------------|-------------------------|
| 301 | P9972Z0301 | PLUG |
| 302 | P9972Z0302 | O-RING 17 X 1.8 |
| 303 | P9972Z0303 | BUSHING |
| 304 | P9972Z0304 | COMBO GEAR 30T/36T/33T |
| 305 | P9972Z0305 | KEY 3 X 3 X 18 |
| 306 | P9972Z0306 | SHAFT |
| 307 | P9972Z0307 | BUSHING |
| 308 | P9972Z0308 | COMBO GEAR 22T/44T/33T |
| 309 | P9972Z0309 | PLUG |
| 310 | P9972Z0310 | CAP SCREW M5-.8 X 10 |
| 311 | P9972Z0311 | BACK GEARBOX COVER |
| 312 | P9972Z0312 | FILL PLUG |
| 313 | P9972Z0313 | GEARBOX CASTING |
| 314 | P9972Z0314 | DRAIN PLUG |
| 315 | P9972Z0315 | DOWELL PIN 5 X 22 |
| 316 | P9972Z0316 | LEADSCREW COLLAR |
| 317 | P9972Z0317 | BRASS PIN |
| 318 | P9972Z0318 | CAP SCREW M6-1 X 12 |
| 319 | P9972Z0319 | FLANGE |
| 320 | P9972Z0320 | BEARING |
| 321 | P9972Z0321 | GEAR 33T |
| 322 | P9972Z0322 | EXT RETAINING RING 12MM |
| 323 | P9972Z0323 | KEY 4 X 4 X 8 |
| 324 | P9972Z0324 | GEAR SHAFT 22T |
| 325 | P9972Z0325 | GEAR 44T |

| REF | PART # | DESCRIPTION |
|-----|------------|----------------------------------|
| 326 | P9972Z0326 | COLLAR |
| 327 | P9972Z0327 | KEY 4 X 4 X 10 |
| 328 | P9972Z0328 | SHAFT |
| 329 | P9972Z0329 | GEAR 33T |
| 330 | P9972Z0330 | GEAR 30T |
| 331 | P9972Z0331 | GEAR 35T |
| 332 | P9972Z0332 | FLANGE |
| 333 | P9972Z0333 | CAP SCREW M6-1 X 16 |
| 334 | P9972Z0334 | SHIFTING FORK |
| 335 | P9972Z0335 | FRONT GEARBOX COVER |
| 336 | P9972Z0336 | ROLL PIN 5 X 30 |
| 337 | P9972Z0337 | COMPRESSION SPRING .8 X 4.5 X 18 |
| 338 | P9972Z0338 | OIL SIGHT GLASS |
| 339 | P9972Z0339 | INDICATOR DISC |
| 340 | P9972Z0340 | SET SCREW M6-1 X 10 |
| 341 | P9972Z0341 | STEEL BALL 5MM |
| 342 | P9972Z0342 | SHIFT HUB |
| 343 | P9972Z0343 | SET SCREW M6-1 X 10 |
| 344 | P9972Z0344 | CAP SCREW M6-1 X 50 |
| 345 | P9972Z0345 | CAP SCREW M6-1 X 20 |
| 346 | P9972Z0346 | O-RING 6 X 1.8 |
| 347 | P9972Z0347 | SHAFT |
| 348 | P9972Z0348 | ROLL PIN 5 X 20 |
| 349 | P9972Z0349 | SHIFT LEVER |
| 350 | P9972Z0350 | SHIFTING FORK |



Apron



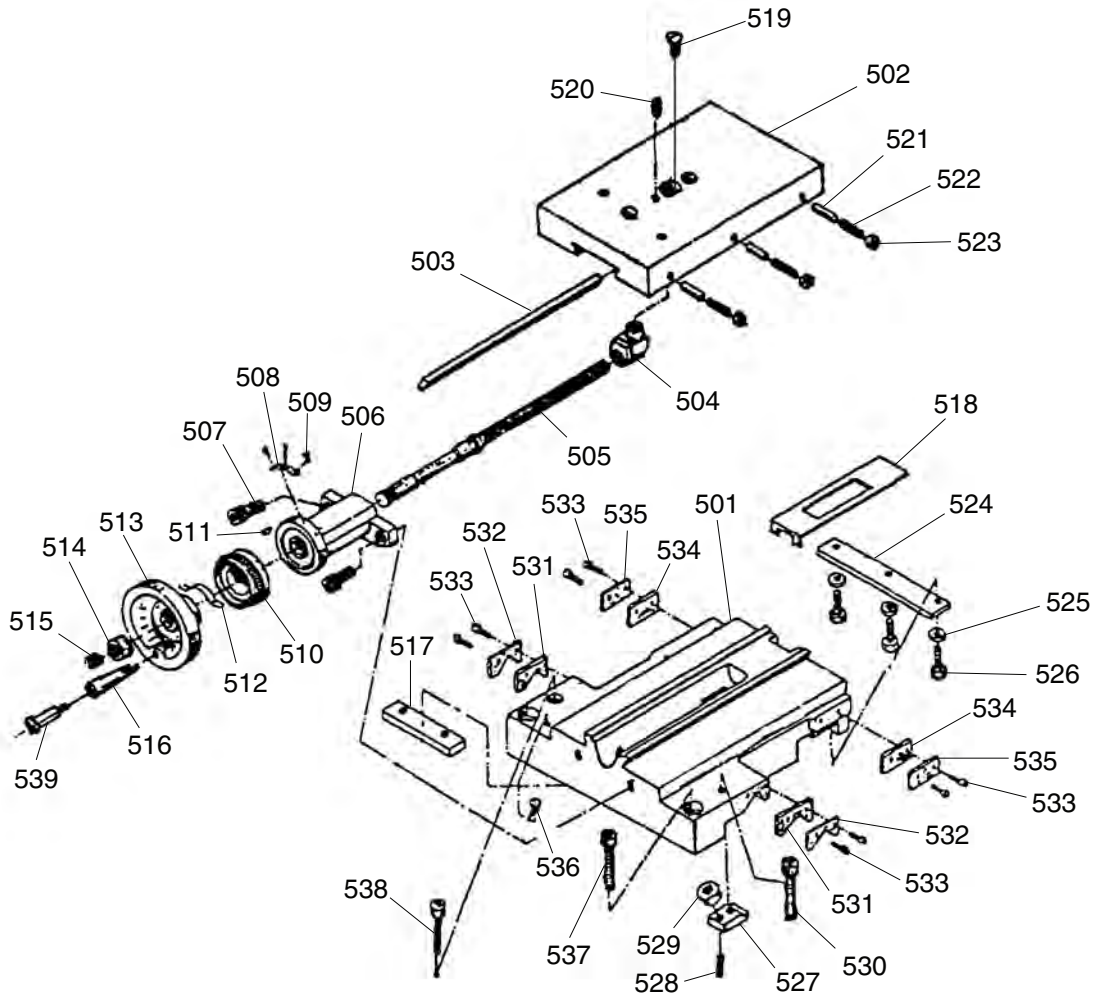
Apron Parts List

| REF | PART # | DESCRIPTION |
|-----|------------|--------------------------|
| 401 | P9972Z0401 | APRON CASTING |
| 402 | P9972Z0402 | HANDLE SCREW |
| 403 | P9972Z0403 | WORM GEAR |
| 404 | P9972Z0404 | KEY 4 X 5 X 25 |
| 405 | P9972Z0405 | HANDLE HUB |
| 406 | P9972Z0406 | PIN 4 X 20 |
| 407 | P9972Z0407 | HEX NUT M5-.8 |
| 408 | P9972Z0408 | SET SCREW M5-.8 X 16 |
| 409 | P9972Z0409 | STEEL BALL 5MM |
| 410 | P9972Z0410 | COMPRESSION SPRING |
| 411 | P9972Z0411 | HANDLE |
| 412 | P9972Z0412 | SET SCREW M6-1 X 6 |
| 413 | P9972Z0413 | FLAT WASHER 10MM |
| 414 | P9972Z0414 | FLAT HD SCR M6-1 X 10 |
| 415 | P9972Z0415 | GEAR SHAFT 12T |
| 416 | P9972Z0416 | ROLL PIN 4 X 30 |
| 417 | P9972Z0417 | GEAR 43T |
| 418 | P9972Z0418 | HANDLE |
| 419 | P9972Z0419 | GEAR SHAFT 13T |
| 420 | P9972Z0420 | POWER FEED LEVER BRACKET |
| 421 | P9972Z0421 | COMPRESSION SPRING |
| 422 | P9972Z0422 | SET SCREW M4-.7 X 10 |
| 423 | P9972Z0423 | CAP SCREW M6-1 X 30 |
| 424 | P9972Z0424 | GEAR SHAFT 36T |
| 425 | P9972Z0425 | SHAFT |
| 426 | P9972Z0426 | KEY 4 X 4 X 6 |
| 427 | P9972Z0427 | GEAR 60T |
| 428 | P9972Z0428 | EXT RETAINING RING 14MM |
| 429 | P9972Z0429 | BALL OILER 6MM PRESS-IN |
| 430 | P9972Z0430 | GEAR SHAFT 22T |
| 431 | P9972Z0431 | HANDWHEEL |
| 432 | P9972Z0432 | ROLL PIN 4 X 24 |

| REF | PART # | DESCRIPTION |
|-------|--------------|-----------------------------------|
| 433 | P9972Z0433 | HANDLE M8-1.25 X 83 |
| 437 | P9972Z0437 | GEAR SHAFT 18T |
| 438 | P9972Z0438 | KEY 4 X 4 X 12 |
| 439 | P9972Z0439 | GEAR 42T |
| 440 | P9972Z0440 | EXT RETAINING RING 12MM |
| 442 | P9972Z0442 | HALF NUT INCH (2PC) |
| 442-1 | P9972Z0442-1 | HALF NUT BRACKET |
| 443 | P9972Z0443 | HALF NUT GIB |
| 444 | P9972Z0444 | ROLL PIN 2 X 35 |
| 445 | P9972Z0445 | CAP SCREW M4-.7 X 16 |
| 446 | P9972Z0446 | SET SCREW M5-.8 X 25 |
| 447 | P9972Z0447 | HEX NUT M5-.8 |
| 448 | P9972Z0448 | CONTROL BLOCK |
| 449 | P9972Z0449 | PIVOT BRACKET |
| 450 | P9972Z0450 | CAP SCREW M4-.7 X 20 |
| 451 | P9972Z0451 | CAP SCREW M5-.8 X 16 |
| 452 | P9972Z0452 | STUD-DE M5-.8 X 36 15 15 |
| 453 | P9972Z0453 | THREAD DIAL BODY |
| 454 | P9972Z0454 | PINION GEAR 32T |
| 455 | P9972Z0455 | SHAFT |
| 456 | P9972Z0456 | KEY 3 X 3 X 10 |
| 457 | P9972Z0457 | LOCK WASHER 8MM |
| 458 | P9972Z0458 | HEX NUT M8-1.25 |
| 459 | P9972Z0459 | THREAD DIAL |
| 460 | P9972Z0460 | PHLP HD SCR M6-1 X 10 |
| 461 | P9972Z0461 | POINTER |
| 462 | P9972Z0462 | RIVET 2 X 5MM NAMEPLATE, ALUMINUM |
| 463 | P9972Z0463 | CAP SCREW M6-1 X 55 |
| 464 | P9972Z0464 | REAR APRON COVER |
| 465 | P9972Z0465 | FLAT WASHER 4MM |
| 466 | P9972Z0466 | PHLP HD SCR M4-.7 X 6 |
| 467 | P9972Z0467 | ROLL PIN 5 X 12 |



Saddle & Cross Slide

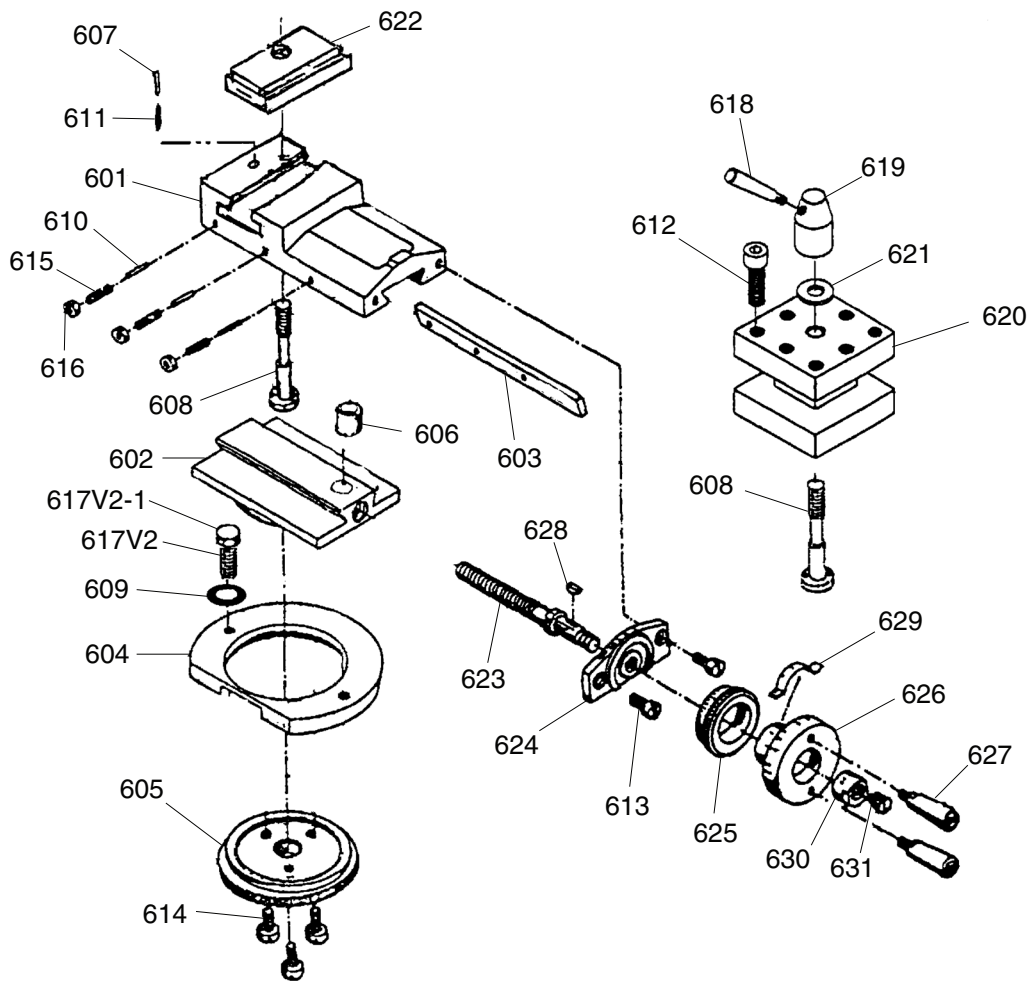


| REF | PART # | DESCRIPTION |
|-----|------------|--------------------------------|
| 501 | P9972Z0501 | SADDLE |
| 502 | P9972Z0502 | CROSS SLIDE |
| 503 | P9972Z0503 | CROSS SLIDE GIB |
| 504 | P9972Z0504 | CROSS SLIDE LEADSCREW NUT |
| 505 | P9972Z0505 | CROSS SLIDE LEADSCREW |
| 506 | P9972Z0506 | CROSS SLIDE LEADSCREW BRACKET |
| 507 | P9972Z0507 | CAP SCREW M8-1.25 X 25 |
| 508 | P9972Z0508 | INDICATOR PLATE |
| 509 | P9972Z0509 | RIVET 2 X 5MM NAMEPLATE, STEEL |
| 510 | P9972Z0510 | CROSS SLIDE GRADUATED DIAL |
| 511 | P9972Z0511 | KEY 3 X 3 X 6 |
| 512 | P9972Z0512 | SPRING PLATE |
| 513 | P9972Z0513 | HANDWHEEL |
| 514 | P9972Z0514 | HANDWHEEL RETAINING NUT |
| 515 | P9972Z0515 | SET SCREW M8-1.25 X 6 |
| 516 | P9972Z0516 | HANDLE |
| 517 | P9972Z0517 | SLIDE BLOCK |
| 518 | P9972Z0518 | CHIP GUARD |
| 519 | P9972Z0519 | CAP SCREW M6-1 X 12 |
| 520 | P9972Z0520 | SET SCREW M6-1 X 16 |

| REF | PART # | DESCRIPTION |
|-----|------------|-------------------------|
| 521 | P9972Z0521 | CROSS SLIDE LOCK PIN |
| 522 | P9972Z0522 | SET SCREW M5-.8 X 16 |
| 523 | P9972Z0523 | HEX NUT M5-.8 |
| 524 | P9972Z0524 | SADDLE GIB |
| 525 | P9972Z0525 | FLAT WASHER 6MM |
| 526 | P9972Z0526 | CAP SCREW M6-1 X 16 |
| 527 | P9972Z0527 | CLIP |
| 528 | P9972Z0528 | SET SCREW M6-1 X 20 |
| 529 | P9972Z0529 | HEX NUT M6-1 |
| 530 | P9972Z0530 | CAP SCREW M6-1 X 35 |
| 531 | P9972Z0531 | NOTCHED WAY WIPER |
| 532 | P9972Z0532 | NOTCHED WIPER CLAMP |
| 533 | P9972Z0533 | PHLP HD SCR M4-.7 X 8 |
| 534 | P9972Z0534 | STRAIGHT WAY WIPER |
| 535 | P9972Z0535 | STRAIGHT WIPER CLAMP |
| 536 | P9972Z0536 | BALL OILER 6MM PRESS-IN |
| 537 | P9972Z0537 | CAP SCREW M8-1.25 X 35 |
| 538 | P9972Z0538 | CAP SCREW M6-1 X 35 |
| 539 | P9972Z0539 | HANDLE BOLT |



Compound Slide & Tool Post

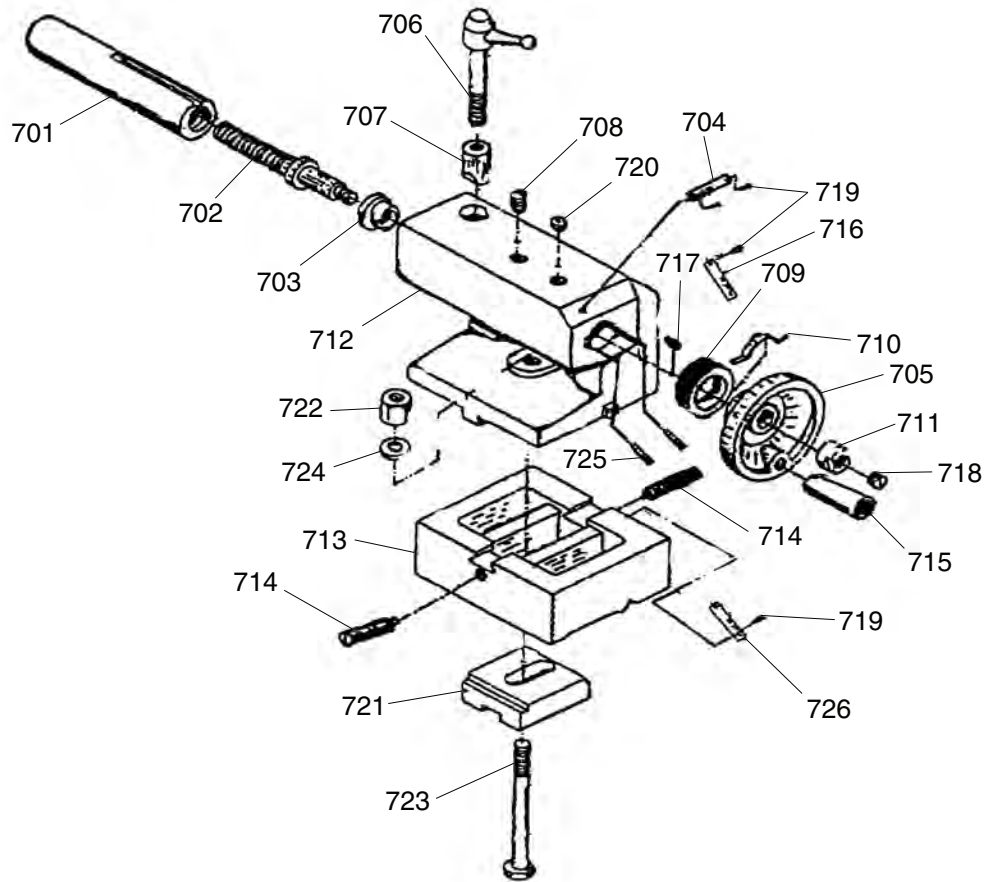


| REF | PART # | DESCRIPTION |
|-----|------------|------------------------|
| 601 | P9972Z0601 | COMPOUND SLIDE |
| 602 | P9972Z0602 | SWIVEL BASE |
| 603 | P9972Z0603 | COMPOUND SLIDE GIB |
| 604 | P9972Z0604 | CLAMPING RING |
| 605 | P9972Z0605 | CLAMPING BASE |
| 606 | P9972Z0606 | LEADSCREW NUT |
| 607 | P9972Z0607 | PLUNGER |
| 608 | P9972Z0608 | TOOL POST STUD |
| 609 | P9972Z0609 | FLAT WASHER 8MM |
| 610 | P9972Z0610 | SLIDE LOCK PIN |
| 611 | P9972Z0611 | COMPRESSION SPRING |
| 612 | P9972Z0612 | TOOL POST CAP SCREW |
| 613 | P9972Z0613 | CAP SCREW M8-1.25 X 25 |
| 614 | P9972Z0614 | CAP SCREW M6-1 X 12 |
| 615 | P9972Z0615 | SET SCREW M5-.8 X 16 |
| 616 | P9972Z0616 | HEX NUT M5-.8 |

| REF | PART # | DESCRIPTION |
|---------|----------------|--------------------------|
| 617V2 | P9972Z0617V2 | SET SCREW M8-1.25 X 40 |
| 617V2-1 | P9972Z0617V2-1 | HEX NUT M8-1.25 |
| 618 | P9972Z0618 | TOOL POST HANDLE |
| 619 | P9972Z0619 | TOOL POST HANDLE HUB |
| 620 | P9972Z0620 | TOOL POST BODY |
| 621 | P9972Z0621 | HUB FLAT WASHER |
| 622 | P9972Z0622 | TOOL REST BASE |
| 623 | P9972Z0623 | COMPOUND SLIDE LEADSCREW |
| 624 | P9972Z0624 | LEADSCREW BRACKET |
| 625 | P9972Z0625 | GRADUATED DIAL |
| 626 | P9972Z0626 | HANDWHEEL |
| 627 | P9972Z0627 | HANDLE |
| 628 | P9972Z0628 | KEY 3 X 3 X 8 |
| 629 | P9972Z0629 | SPRING PLATE |
| 630 | P9972Z0630 | THREADED COLLAR |
| 631 | P9972Z0631 | SET SCREW M8-1.25 X 16 |



Tailstock

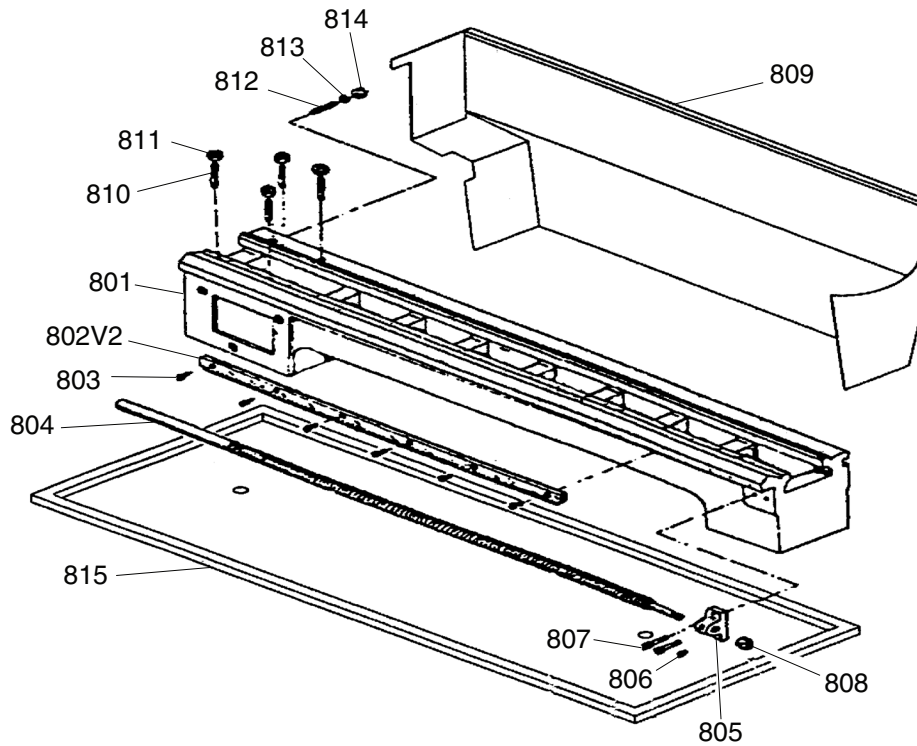


| REF | PART # | DESCRIPTION |
|-----|------------|----------------------|
| 701 | P9972Z0701 | TAILSTOCK QUILL MT#3 |
| 702 | P9972Z0702 | TAILSTOCK LEADSCREW |
| 703 | P9972Z0703 | BUSHING |
| 704 | P9972Z0704 | INDICATOR PLATE |
| 705 | P9972Z0705 | HANDWHEEL |
| 706 | P9972Z0706 | QUILL LOCK |
| 707 | P9972Z0707 | LOCK BUSHING |
| 708 | P9972Z0708 | SET SCREW M6-1 X 12 |
| 709 | P9972Z0709 | GRADUATED DIAL |
| 710 | P9972Z0710 | SPRING PLATE |
| 711 | P9972Z0711 | SPACER |
| 712 | P9972Z0712 | TAILSTOCK CASTING |
| 713 | P9972Z0713 | TAILSTOCK BASE |

| REF | PART # | DESCRIPTION |
|-----|------------|--------------------------------|
| 714 | P9972Z0714 | SET SCREW M8-1.25 X 25 |
| 715 | P9972Z0715 | HANDLE |
| 716 | P9972Z0716 | PLATE |
| 717 | P9972Z0717 | KEY 3 X 3 X 10 |
| 718 | P9972Z0718 | HEX NUT M10-1.5 |
| 719 | P9972Z0719 | RIVET 2 X 5MM NAMEPLATE, STEEL |
| 720 | P9972Z0720 | OIL PORT 9MM |
| 721 | P9972Z0721 | CLAMPING PLATE |
| 722 | P9972Z0722 | CLAMPING PLATE HEX NUT |
| 723 | P9972Z0723 | HEX BOLT M12-1.75 X 100 |
| 724 | P9972Z0724 | FLAT WASHER 12MM |
| 725 | P9972Z0725 | SET SCREW M5-.8 X 6 |
| 726 | P9972Z0726 | INDICATOR PLATE |



Bed

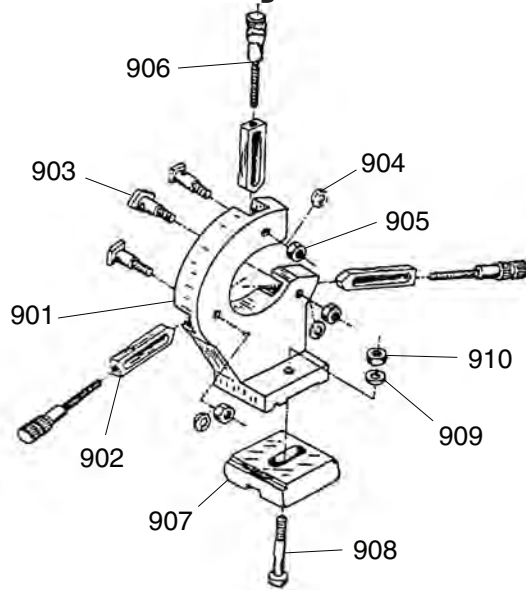


| REF | PART # | DESCRIPTION |
|-------|--------------|-------------------------|
| 801 | P9972Z0801 | BED |
| 802V2 | P9972Z0802V2 | RACK V2.01.22 |
| 803 | P9972Z0803 | CAP SCREW M5-.8 X 12 |
| 804 | P9972Z0804 | FEED LEADSCREW INCH |
| 805 | P9972Z0805 | LEADSCREW END BRACKET |
| 806 | P9972Z0806 | BALL OILER 6MM PRESS-IN |
| 807 | P9972Z0807 | CAP SCREW M6-1 X 20 |
| 808 | P9972Z0808 | HEX NUT M10-1.5 |

| REF | PART # | DESCRIPTION |
|-----|------------|-------------------------|
| 809 | P9972Z0809 | SPLASH GUARD |
| 810 | P9972Z0810 | STUD-SE M10-1.5 X 45 35 |
| 811 | P9972Z0811 | HEX NUT M10-1.5 |
| 812 | P9972Z0812 | SET SCREW M8-1.25 X 40 |
| 813 | P9972Z0813 | FLAT WASHER 8MM |
| 814 | P9972Z0814 | HEX NUT M8-1.25 |
| 815 | P9972Z0815 | CHIP PAN |



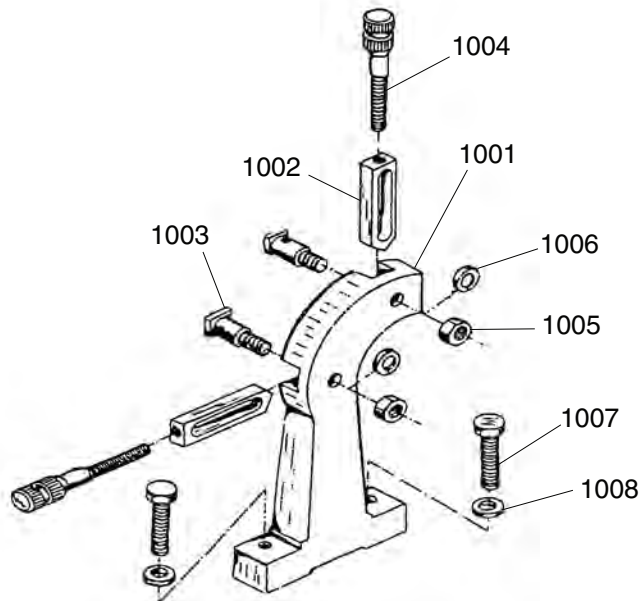
Steady Rest



| REF | PART # | DESCRIPTION |
|-----|------------|---------------------|
| 901 | P9972Z0901 | STEADY REST CASTING |
| 902 | P9972Z0902 | FINGER |
| 903 | P9972Z0903 | FINGER T-BOLT |
| 904 | P9972Z0904 | LOCK WASHER 8MM |
| 905 | P9972Z0905 | HEX NUT M8-1.25 |

| REF | PART # | DESCRIPTION |
|-----|------------|------------------------|
| 906 | P9972Z0906 | ADJUSTING SCREW |
| 907 | P9972Z0907 | CLAMPING PLATE |
| 908 | P9972Z0908 | HEX BOLT M12-1.75 X 65 |
| 909 | P9972Z0909 | FLAT WASHER 12MM |
| 910 | P9972Z0910 | HEX NUT M12-1.75 |

Follow Rest

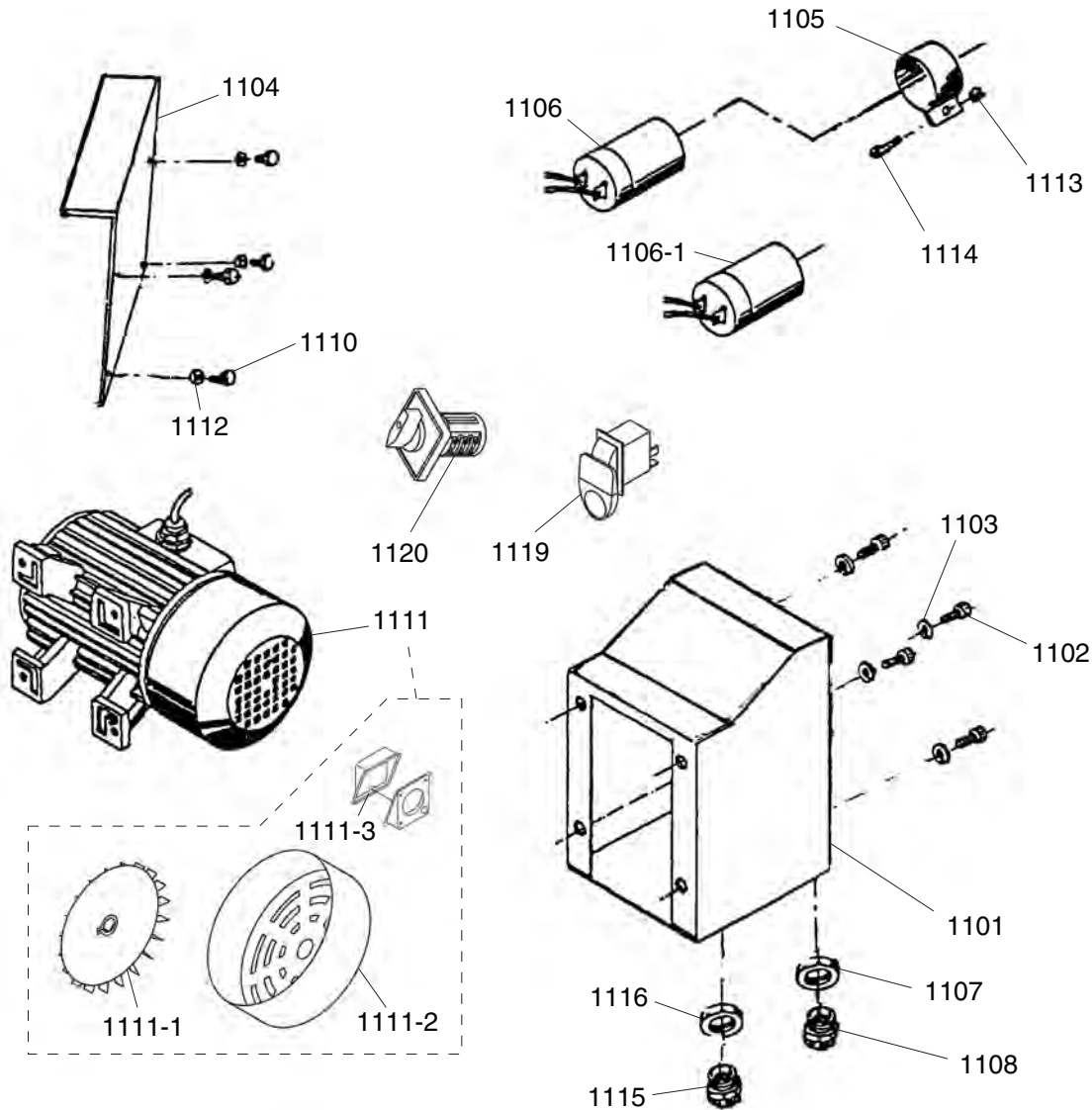


| REF | PART # | DESCRIPTION |
|------|------------|---------------------|
| 1001 | P9972Z1001 | FOLLOW REST CASTING |
| 1002 | P9972Z1002 | FINGER |
| 1003 | P9972Z1003 | FINGER T-BOLT |
| 1004 | P9972Z1004 | ADJUSTING SCREW |

| REF | PART # | DESCRIPTION |
|------|------------|------------------------|
| 1005 | P9972Z1005 | HEX NUT M8-1.25 |
| 1006 | P9972Z1006 | FLAT WASHER 8MM |
| 1007 | P9972Z1007 | CAP SCREW M8-1.25 X 35 |
| 1008 | P9972Z1008 | FLAT WASHER 8MM |



Electrical Components

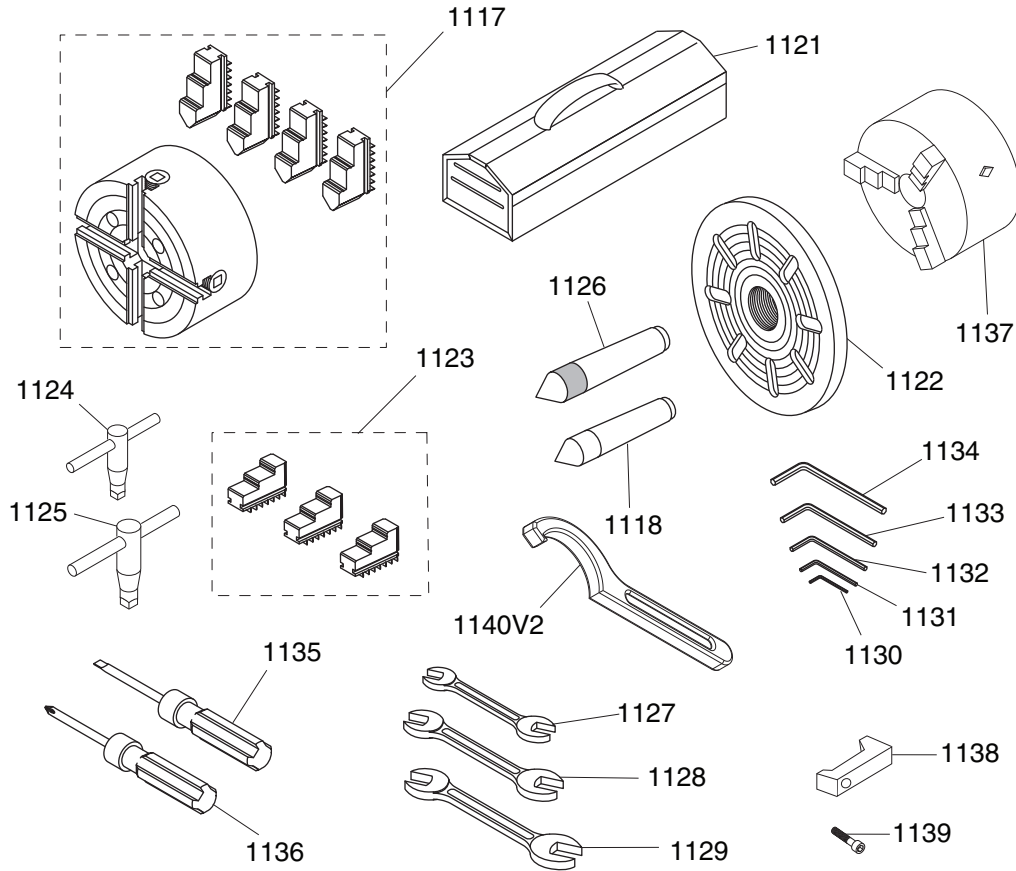


| REF | PART # | DESCRIPTION |
|--------|--------------|-------------------------------------|
| 1101 | P9972Z1101 | ELECTRICAL CABINET |
| 1102 | P9972Z1102 | CAP SCREW M6-1 X 25 |
| 1103 | P9972Z1103 | LOCK WASHER 6MM |
| 1104 | P9972Z1104 | ELECTRICAL CABINET COVER |
| 1105 | P9972Z1105 | CAPACITOR COVER W/CLIP |
| 1106 | P9972Z1106 | S CAPACITOR 150M 250V 1-5/8 X 3-1/4 |
| 1106-1 | P9972Z1106-1 | R CAPACITOR 20M 450V 1-3/4 X 3-3/4 |
| 1107 | P9972Z1107 | STRAIN RELIEF NUT 1/2" |
| 1108 | P9972Z1108 | STRAIN RELIEF 1/2" |
| 1110 | P9972Z1110 | PHLP HD SCR M5-.8 X 10 |
| 1111 | P9972Z1111 | MOTOR 1HP 110V 1PH |

| REF | PART # | DESCRIPTION |
|--------|--------------|-----------------------------|
| 1111-1 | P9972Z1111-1 | MOTOR FAN |
| 1111-2 | P9972Z1111-2 | MOTOR FAN COVER |
| 1111-3 | P9972Z1111-3 | MOTOR WIRING JUNCTION BOX |
| 1112 | P9972Z1112 | LOCK WASHER 5MM |
| 1113 | P9972Z1113 | HEX NUT M4-.7 |
| 1114 | P9972Z1114 | PHLP HD SCR M4-.7 X 20 |
| 1115 | P9972Z1115 | STRAIN RELIEF 3/4" |
| 1116 | P9972Z1116 | STRAIN RELIEF NUT 3/4" |
| 1119 | P9972Z1119 | ON/OFF SWITCH W/COVER |
| 1120 | P9972Z1120 | FWD/REV SWITCH KEDU EN61058 |



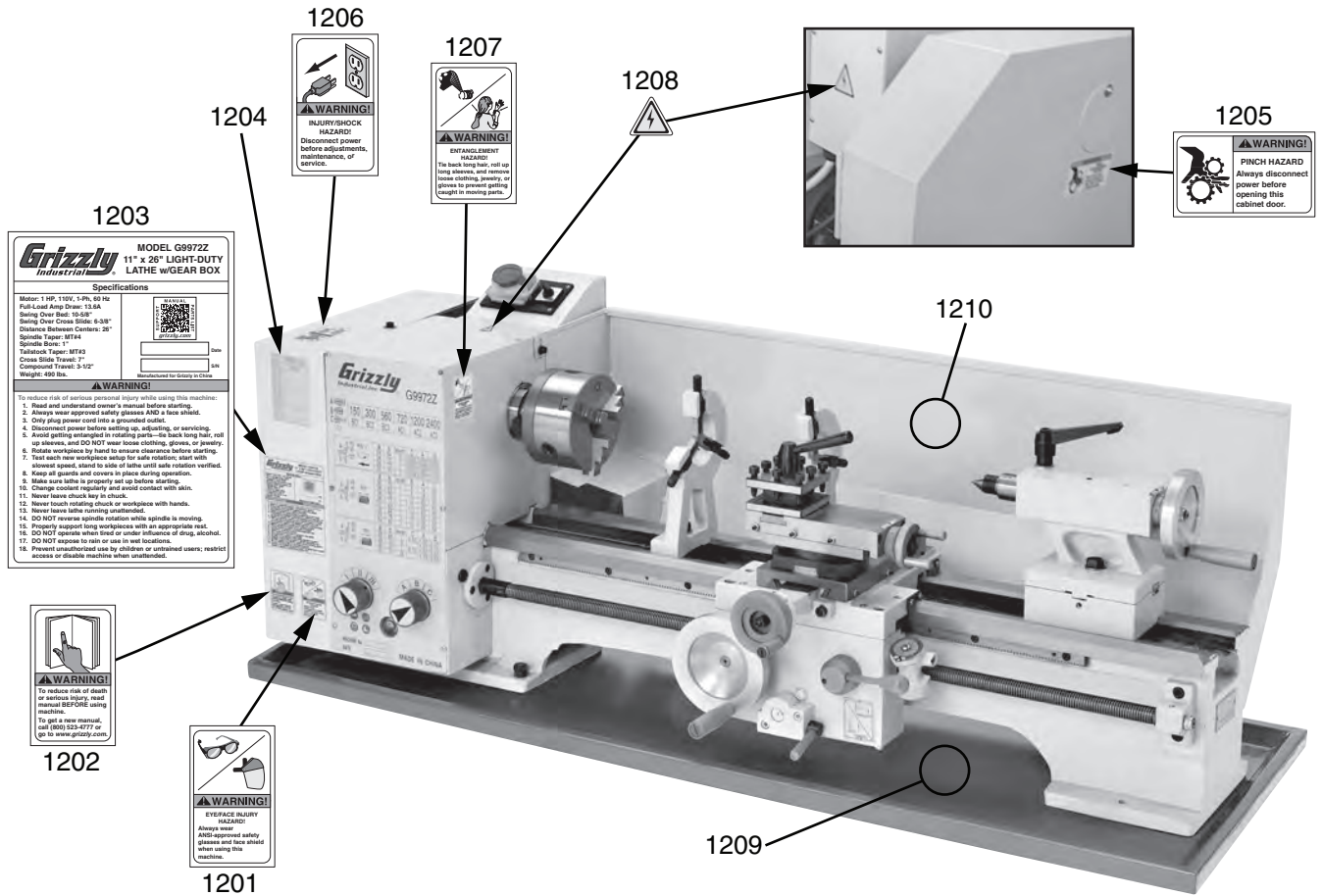
Accessories



| REF | PART # | DESCRIPTION | REF | PART # | DESCRIPTION |
|--------|--------------|---------------------------------|--------|--------------|-------------------------|
| 1117V2 | P9972Z1117V2 | 4-JAW CHUCK 6-1/4" V2.01.16 | 1130 | P9972Z1130 | HEX WRENCH 3MM |
| 1118 | P9972Z1118 | DEAD CENTER MT#3 | 1131 | P9972Z1131 | HEX WRENCH 4MM |
| 1121 | P9972Z1121 | TOOL BOX | 1132 | P9972Z1132 | HEX WRENCH 5MM |
| 1122 | P9972Z1122 | FACEPLATE 8" | 1133 | P9972Z1133 | HEX WRENCH 6MM |
| 1123 | P9972Z1123 | 3-JAW CHUCK REVERSE JAW SET | 1134 | P9972Z1134 | HEX WRENCH 8MM |
| 1124 | P9972Z1124 | LATHE CHUCK KEY 9.82MM STD | 1135 | P9972Z1135 | SCREWDRIVER FLAT #2 |
| 1125V2 | P9972ZV21125 | LATHE CHUCK KEY 9.82MM STD | 1136 | P9972Z1136 | SCREWDRIVER PHILLIPS #2 |
| 1126 | P9972Z1126 | DEAD CENTER MT#3 CARBIDE-TIPPED | 1137 | P9972Z1137 | 3-JAW CHUCK |
| 1127 | P9972Z1127 | WRENCH 8 X 10MM OPEN-ENDS | 1138 | P9972Z1138 | SPINDLE CLAMP |
| 1128 | P9972Z1128 | WRENCH 12 X 14MM OPEN-ENDS | 1139 | P9972Z1139 | CAP SCREW M6-1 X 20 |
| 1129 | P9972Z1129 | WRENCH 17 X 19MM OPEN-ENDS | 1140V2 | P9972Z1140V2 | SPANNER WRENCH V2.04.20 |



Labels & Cosmetics



| REF | PART # | DESCRIPTION |
|------|------------|-------------------------|
| 1201 | P9972Z1201 | EYE/FACE INJURY LABEL |
| 1202 | P9972Z1202 | READ MANUAL LABEL |
| 1203 | P9972Z1203 | MACHINE ID LABEL |
| 1204 | P9972Z1204 | THREAD DIAL CHART LABEL |
| 1205 | P9972Z1205 | PINCH HAZARD LABEL |

| REF | PART # | DESCRIPTION |
|------|------------|-------------------------------|
| 1206 | P9972Z1206 | DISCONNECT POWER LABEL |
| 1207 | P9972Z1207 | ENTANGLEMENT HAZARD LABEL |
| 1208 | P9972Z1208 | ELECTRICITY LABEL |
| 1209 | P9972Z1209 | TOUCH-UP PAINT, GRIZZLY GREEN |
| 1210 | P9972Z1210 | TOUCH-UP PAINT, GRIZZLY BEIGE |

WARNING

Safety labels help reduce the risk of serious injury caused by machine hazards. If any label comes off or becomes unreadable, the owner of this machine **MUST** replace it in the original location before resuming operations. For replacements, contact (800) 523-4777 or www.grizzly.com.

