

# READ THIS FIRST



## Model G9729

### \*\*\*IMPORTANT UPDATE\*\*\*

For Machines Mfd. Since 4/18  
and Owner's Manual Revised 9/13

For questions or help with this product contact Tech Support at (570) 546-9663 or [techsupport@grizzly.com](mailto:techsupport@grizzly.com)

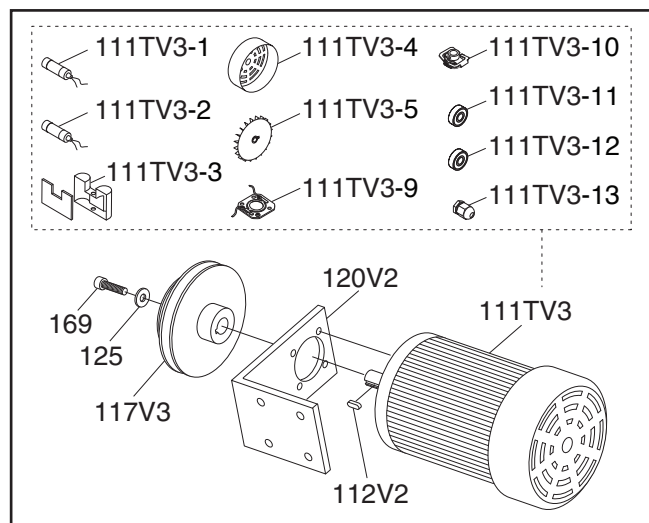
The following changes were recently made since the owner's manual was printed:

- Parts revised to show new motor. Motor specs updated.

Aside from this information, all other content in the owner's manual applies and **MUST** be read and understood for your own safety. **IMPORTANT: Keep this update with the owner's manual for future reference.**

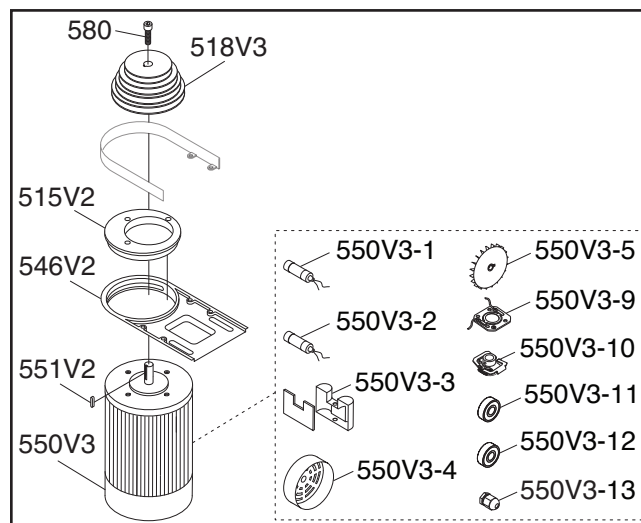
For questions or help, contact our Tech Support at (570) 546-9663 or [techsupport@grizzly.com](mailto:techsupport@grizzly.com).

### Revised Lathe Bed Parts



REF	PART #	DESCRIPTION
111TV3	P9729111TV3	MOTOR 3/4HP 110V 1-PH V3.04.18
111TV3-1	P9729111TV3-1	R CAPACITOR 50M 450V 1-13/16 X 3-1/2
111TV3-2	P9729111TV3-2	S CAPACITOR 300M 250V 1-5/8 X 3-1/2
111TV3-3	P9729111TV3-3	MOTOR JUNCTION BOX
111TV3-4	P9729111TV3-4	MOTOR FAN COVER
111TV3-5	P9729111TV3-5	MOTOR FAN
111TV3-9	P9729111TV3-9	CONTACT PLATE
111TV3-10	P9729111TV3-10	CENTRIFUGAL SWITCH
111TV3-11	P9729111TV3-11	BALL BEARING 6204-2RS (FRONT)
111TV3-12	P9729111TV3-12	BALL BEARING 6204-2RS (REAR)
111TV3-13	P9729111TV3-13	STRAIN RELIEF TYPE-3 M18-1.5
112V2	P9729112V2	KEY 6 X 6 X 30 V2.04.18
117V3	P9729117V3	MOTOR PULLEY V3.04.18
120V2	P9729120V2	MOTOR MOUNT V2.04.18
125	P9729125	FLAT WASHER 6MM
169	P9729169	CAP SCREW M6-1 X 55

### Revised Headstock Parts



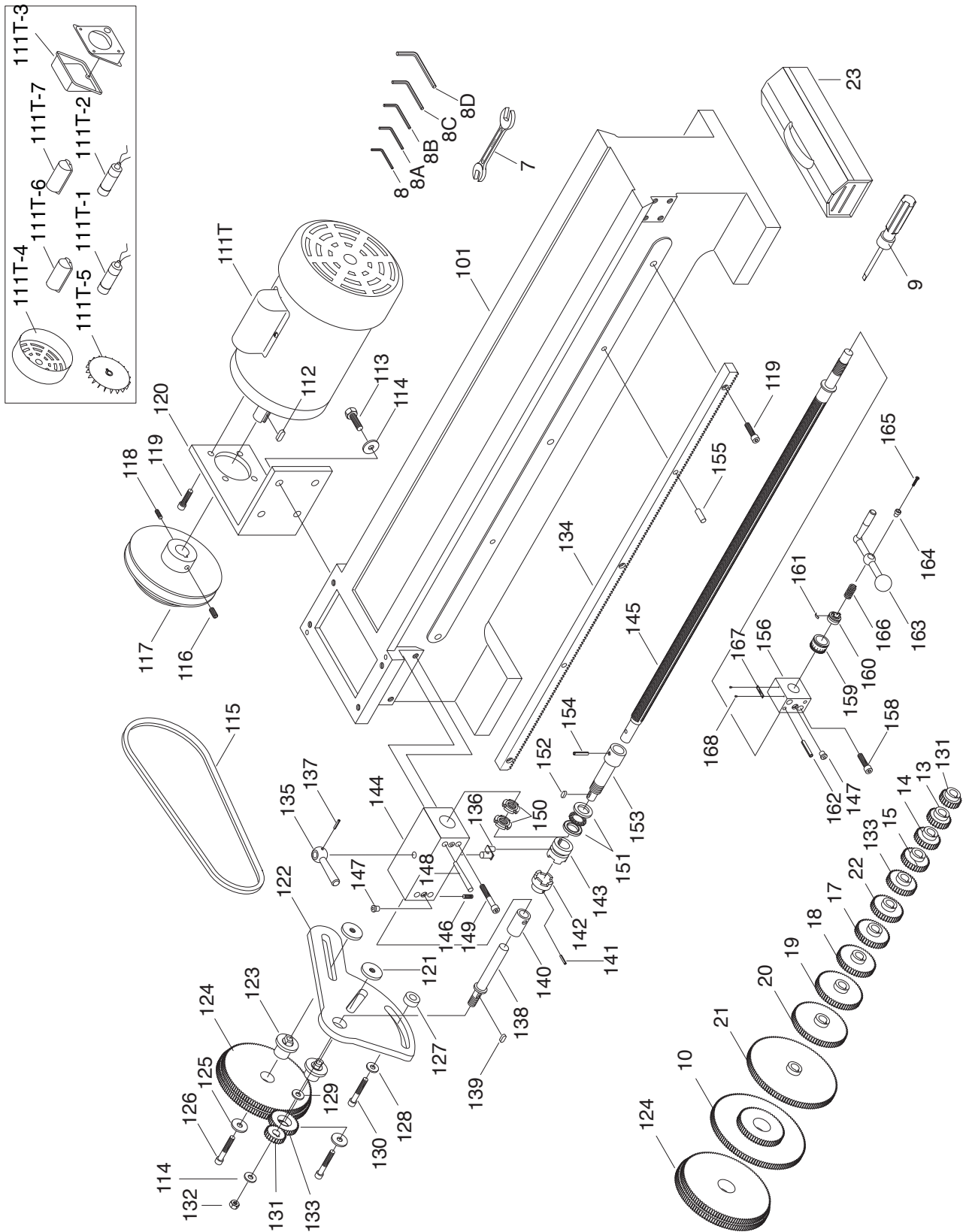
REF	PART #	DESCRIPTION
515V2	P9729515V2	ECCENTRIC FLANGE V2.04.18
518V3	P9729518V3	MOTOR PULLEY V3.04.18
546V2	P9729546V2	MOTOR MOUNT V2.04.18
550V3	P9729550V3	MOTOR 3/4HP 110V 1-PH V3.04.18
550V3-1	P9729550V3-1	R CAPACITOR 50M 450V 1-13/16 X 3-1/2
550V3-2	P9729550V3-2	S CAPACITOR 300M 250V 1-5/8 X 3-1/2
550V3-3	P9729550V3-3	MOTOR JUNCTION BOX
550V3-4	P9729550V3-4	MOTOR FAN COVER
550V3-5	P9729550V3-5	MOTOR FAN
550V3-9	P9729550V3-9	CONTACT PLATE
550V3-10	P9729550V3-10	CENTRIFUGAL SWITCH
550V3-11	P9729550V3-11	BALL BEARING 6204-2RS (FRONT)
550V3-12	P9729550V3-12	BALL BEARING 6204-2RS (REAR)
550V3-13	P9729550V3-13	STRAIN RELIEF TYPE-3 M18-1.5
551V2	P9729551V2	KEY 6 X 6 X 30 V2.04.18
580	P9729580	CAP SCREW M6-1 X 45

COPYRIGHT © NOVEMBER, 2018 BY GRIZZLY INDUSTRIAL, INC.  
**WARNING: NO PORTION OF THIS MANUAL MAY BE REPRODUCED IN ANY SHAPE OR FORM WITHOUT THE WRITTEN APPROVAL OF GRIZZLY INDUSTRIAL, INC.**

#MN20049 PRINTED IN CHINA

# PARTS

## G9729 Lathe Bed

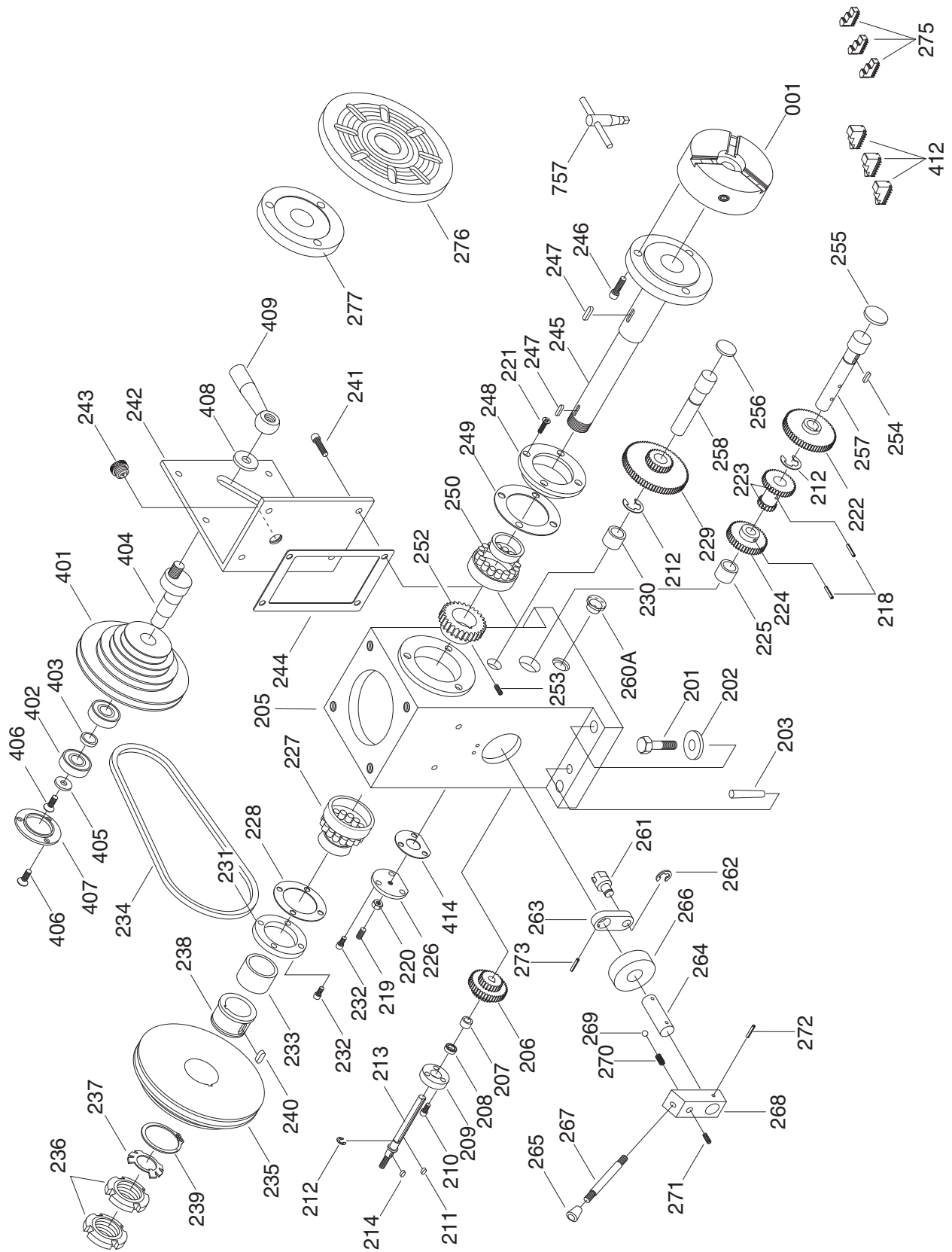


# G9729 Parts Breakdown 0-199 Series

REF	PART #	DESCRIPTION
1	P9729001	3-JAW CHUCK
2	P9729002	DEAD CENTER
6	P9729006	TOOL POST WRENCH
7	P9729007	DOUBLE END WRENCH
8	PAW03M	HEX WRENCH 3MM
8A	PAW04M	HEX WRENCH 4MM
8B	PAW05M	HEX WRENCH 5MM
8C	PAW06M	HEX WRENCH 6MM
8D	PAW08M	HEX WRENCH 8MM
9	P9729009	SCREW DRIVER
10	P9729010	127/60 T GEAR
13	P9729013	27T GEAR
14	P9729014	30T GEAR
15	P9729015	33T GEAR
17	P9729017	42T GEAR
18	P9729018	48T GEAR
19	P9729019	60T GEAR
20	P9729020	72T GEAR
21	P9729021	120T GEAR
22	P9729022	39T GEAR
23	P9729023	TOOL BOX
101	P9729101	BED
102	P9729102	HANDLE KNOB M6-1 X 20
103	P9729103	HANDLE
104	P9729104	HANDLE HUB
105	PSS21M	SET SCREW M8-1.25 X 25
107	P9729107	ADJUSTING BLOCK
108	P9729108	PIN
109	P9729109	TAILSTOCK CARRIAGE
110	P9729110	GIB
110A	P9729110A	DRILL CHUCK ARBOR MT#3
110B	P9729110B	CHUCK KEY
111T	P9729111T	MOTOR
111T-1	P9729111T-1	CAPACITOR 50 MFD 250VAC
111T-2	P9729111T-2	CAPACITOR 500 MFD 125VAC
111T-3	P9729111T-3	JUNCTION BOX
111T-4	P9729111T-4	MOTOR FAN COVER
111T-5	P9729111T-5	MOTOR FAN
111T-6	P9729111T-6	CAPACITOR COVER
11T-7	P9729111T-7	CAPACITOR COVER
112	PK08M	KEY 5 X 5 X 16
113	PB32M	HEX BOLT M10-1.5 X 25
114	PW04M	FLAT WASHER 10MM
115	PVM26	V-BELT M26 3L260
116	PSS20M	SET SCREW M8-1.25 X 8
117	P9729117	PULLEY
118	PSS17M	SET SCREW M8-1.25 X 6
119	PSB02M	CAP SCREW M6-1 X 20

REF	PART #	DESCRIPTION
120	P9729120	MOTOR MOUNT
121	P9729121	T-BUSHING
122	P9729122	BRACKET
123	P9729123	T-NUT
124	P9729124	GEAR 120/127
125	PW03M	FLAT WASHER 6MM
126	PSB29M	CAP SCREW M6-1 X 40
127	P9729127	SPACER
128	PW03M	FLAT WASHER 6MM
129	PW03M	FLAT WASHER 6MM
130	PSB07M	CAP SCREW M6-1 X 30
131	P9729131	GEAR 24T
132	PN02M	HEX NUT M10-1.5
133	P9729133	GEAR 36T
134	P9729134	RACK
135	P9729135	HANDLE M10-1.5 X 80
136	P9729136	ECCENTRIC LEVER
137	PRP42M	ROLL PIN 3 X 20
138	P9729138	TRANSMISSION SHAFT
139	PK69M	KEY 4 X 4 X 12
140	P9729140	SLEEVE
141	P9729141	ROLL PIN 5 X 22
142	P9729142	CLUTCH JAW A
143	P9729143	CLUTCH JAW B
144	P9729144	TRANSMISSION BOX
145	P9729145	LEADSCREW
146	PSS03M	SET SCREW M6-1 X 8
147	P9249002	OILER 6
148	P9729148	TAPER PIN B5X55
149	PSB37M	CAP SCREW M6-1 X 50
150	P9729150	SPANNER NUT M16-1.5
151	P8103	BEARING 8103
152	PK10M	KEY 5 X 5 X 12
153	P9729153	SHAFT CONNECTOR
154	PRP04M	ROLL PIN 4 X 24
155	PRP05M	ROLL PIN 5 X 30
156	P9729156	LEADSCREW SEAT
158	PSB30M	CAP SCREW M6-1 X 45
159	P9729159	DIAL
160	P9729160	DIAL SEAT
161	P9729161	SPRING PIECE
162	PRP39M	ROLL PIN 4 X 20
163	P9729163	LEADSCREW HANDLE
164	PW05M	FLAT WASHER 4MM
165	PS02M	PHLP HD SCR M4-.7 X 12
166	P9729166	COMPRESSION SPRING
167	P9729167	LABEL PLATE
168	P9729168	RIVET

# G9729 Lower Head Assembly



# G9729 Parts Breakdown 200 Series

REF	PART #	DESCRIPTION
201	PB31M	HEX BOLT M10-1.5 X 40
202	PW04M	FLAT WASHER 10MM
203	P9729203	TAPER PIN 10 X 40
205	P9729205	HEADSTOCK
206	P9729206	TRIPLEX GEAR
207	P9729207	BRASS BUSHING
208	P9729208	O RING
209	P9729209	O RING SEAT
210	PS08M	PHLP HD SCR M5-.8 X 12
211	PK23M	KEY 5 X 5 X 25
212	PR02M	E-CLIP 14MM
213	P9729213	SHAFT D
214	PK05M	KEY 4 X 4 X 10
218	PRP39M	ROLL PIN 4 X 20
219	PSS57M	SET SCREW M5-.8 X 20
220	PN06M	HEX NUT M5-.8
221	PS08M	PHLP HD SCR M5-.8 X12
222	P9729222	GEAR C
223	P9729223	GEAR C DUPLEX
224	P9729224	GEAR
225	P9729225	BRASS BUSHING
226	P9729226	COVER
227	P9729227	TAPER ROLLER BEARING
228	P9729228	GASKET (LEFT)
229	P9729229	DUPLEX GEAR
230	P9729230	BRASS BUSHING
231	P9729231	COVER (LEFT)
232	PSB97M	CAP SCREW M5-.8 X 6
233	P9729233	SPACER
234	PVM29	V-BELT M-29 3L290
235	P9729235	PULLEY
236	P9729236	SPANNER NUT 40MM
237	P9729237	SPECIAL WASHER 40MM
238	P9729238	PULLEY SPACER
239	PR61M	EXT RETAINING RING 63MM

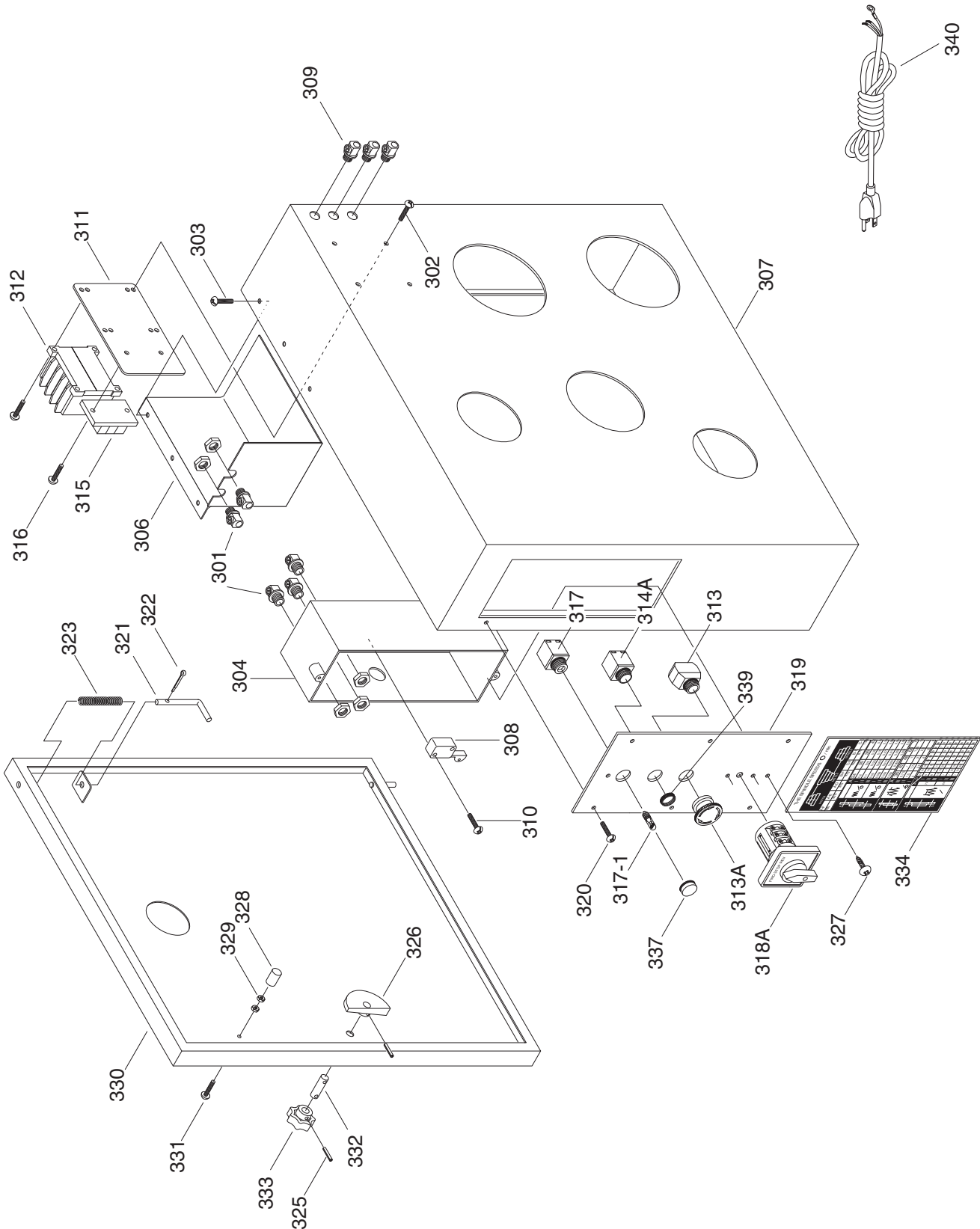
REF	PART #	DESCRIPTION
240	PK90M	KEY 10 X 10 X 25
241	PSB33M	CAP SCREW M5-.8 X 12
242	P9729242	BRACING PLATE
243	P9729243	OIL PLUG
244	P9729244	GASKET
245	P9729245	SPINDLE
246	PB07M	HEX BOLT M8-1.25 X 25
247	PK91M	KEY 8 X 8 X 22
248	P9729248	FLANGE
249	P9729249	GASKET (RIGHT)
250	P9729250	ROLLER BEARING 45 X 75 X 19
252	P9729252	GEAR A
253	PSS16M	SET SCREW M8-1.25 X 10
254	PK19M	KEY 5 X 5 X 14
255	P9729255	HOLE PLUG
256	P9729256	HOLE PLUG
257	P9729257	SHAFT-C
258	P9729258	SHAFT B
260A	P9729260A	SIGHT GLASS M16-1.5
261	P9729261	FORK
262	PEC12M	E-CLIP 12MM
263	P9729263	FORK ARM
264	P9729264	STRAIGHT PIN 12 X 45MM
265	P9729265	HANDLE KNOB M10-1.5 X 32
266	P9729266	SPACER
267	P9729267	HANDLE
268	P9729268	HANDLE SEAT
269	P4015Z142	STEEL BALL 6.5
270	P9729270	COMPRESSION SPRING
271	PSS17M	SET SCREW M8-1.25 X 6
272	PRP56M	ROLL PIN 4 X 25
273	PRP70M	ROLL PIN 5 X 18
275	P9729275	SET OF INTERNAL JAWS
276	P9729276	9" FACE PLATE
277	P9729277	BACKPLATE

# G9729 Parts Breakdown 400 Series

REF	PART #	DESCRIPTION
401	P9729401	IDLER PULLEY
402	P9729402	BALL BEARING 6004
403	P9729403	SPACER
404	P9729404	SHAFT
405	PW02M	FLAT WASHER 5MM
406	PFH07M	FLT HD SCR M5-.8 X 10

REF	PART #	DESCRIPTION
407	P9729407	COVER
408	PW06M	FLAT WASHER 12MM
409	P9729409	HANDLE
412	P9729412	EXTERNAL JAWS
414	P9729414	COVER PLATE

# G9729 Belt Guard

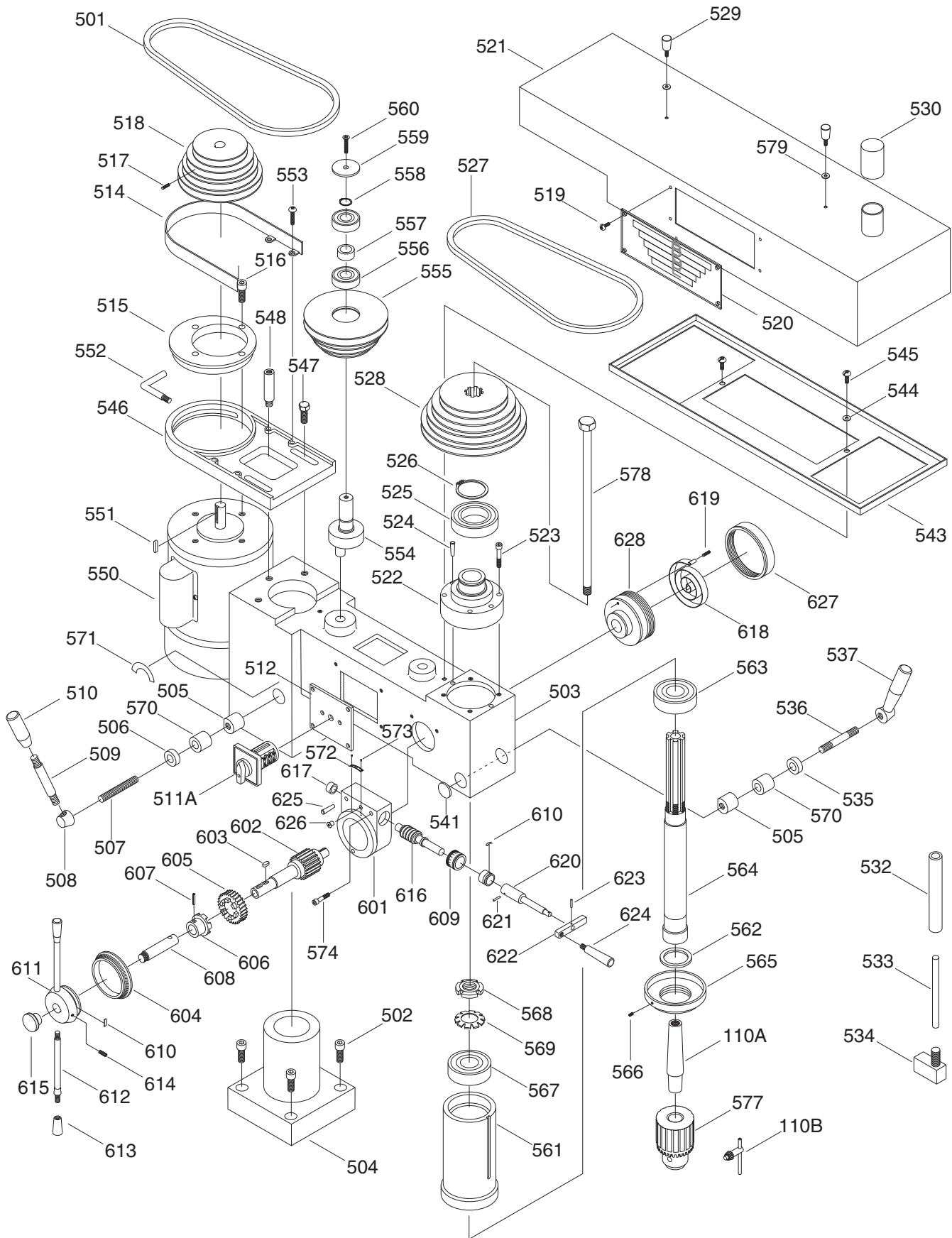


# G9729 Parts Breakdown 300 Series

REF	PART #	DESCRIPTION
301	P9729301	STRAIN RELIEF 1/2" SNAP IN
302	PS56M	PHLP HD SCR M4-.7 X 16
303	PS07M	PHLP HD SCR M4-.7 X 8
304	P9729304	ELECTRIC BOX
306	P9729306	ELECTRIC HOUSING
307	P9729307	PULLEY BOX
308	P9729308	MICRO SWITCH
309	P9729309	STRAIN RELIEF 1/2" SNAP IN
310	PS18M	PHLP HD SCR M4-.7 X 25
311	P9729311	ELECTRICAL PANEL
312	P9729312	CONTACTOR LC1 D1201
313	P9729313	KILL SWITCH
313A	P9729313A	E- STOP KNOB
314A	P9729314A	START SWITCH
315	P9729315	WIRE BLOCK
316	PS38M	PHLP HD SCR M4-.7 X 10
317	P9729317	LIGHT INDICATOR
317-1	P9729317-1	INDICATOR BULB
318A	P9729318A	FOR/REV SWITCH ASSY

REF	PART #	DESCRIPTION
319	P9729319	ELECTRICAL PLATE
320	PS38M	PHLP HD SCR M4-.7 X 10
321	P9729321	PIVOT
322	P9729322	STRAIGHT PIN 2 X 12MM
323	P9729323	COMPRESSION SPRING
325	PRP37M	ROLL PIN 3 X 14
326	P9729326	LATCH PIECE
327	PFH41M	FLAT HD SCR M4-.7 X 16
328	P9729328	MICRO SWITCH LEVER
329	PN06M	HEX NUT M5-.8
330	P9729330	DOOR
331	PS82M	PHLP HD SCR M5-.8 X 35
332	P9729332	STUD
333	P9729333	KNOB M8-1.25
334	P9729334	CHART
337	P9729337	LENSE
339	P9729339	START BUTTON
340	P9729340	PLUG NEMA 5-15

# G9729 Headstock Assembly



# G9729 Parts Breakdown 500 & 600 Series

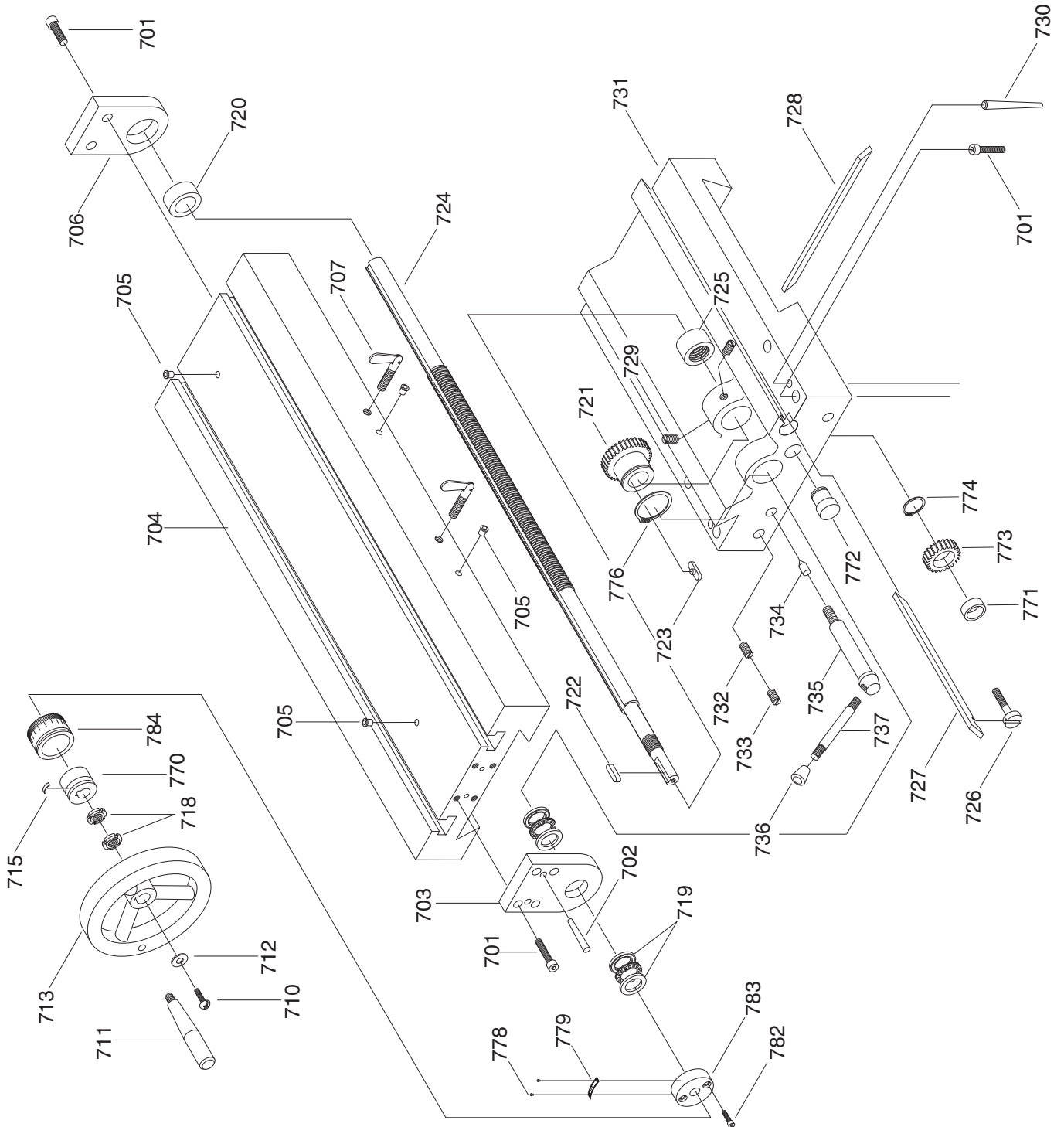
REF	PART #	DESCRIPTION
501	PVM33	V-BELT M-33 3L330
502	PSB47M	CAP SCREW M10-1.5 X 40
503	P9729503	MILL-DRILL HEAD
504	P9729504	SUPPORT COLUMN
505	P9729505	BRAKE PAD (PAIR)
506	P9729506	BRAKE SPACER
507	P9729507	STUD M10-1.5 X 80
508	P9729508	HANDLE SEAT
509	P9729509	HANDLE
510	P9729510	HANDLE KNOB M10-1.5 X 80
511A	P9729511A	MILL MOTOR SWITCH
512	P9729512	SWITCH PLATE
514	P9729514	FRAME COVER
515	P9729515	ECCENTRIC FLANGE
516	PSB02M	CAP SCREW M6-1 X 20
517	PSS14M	SET SCREW M8-1.25 X 12
518	P9729518	MOTOR PULLEY
519	PS17M	PHLP HD SCR M4-.7 X 6
520	P9729520	SEE-THROUGH WINDOW
521	P9729521	MILL-DRILL COVER UPPER
522	P9729522	PULLEY SEAT FLANGE
523	PSB29M	CAP SCREW M6-1 X 40
524	P9729524	TAPER PIN 5 X 45
525	P6008	BEARING 6008
526	PR68M	EXT RETAINING RING 40MM
527	PVM35	V-BELT M-35 3L350
528	P9729528	MILL-DRILL PULLEY
529	P9729529	MOTOR SPEED KNOB
530	P9729530	CAP
532	P9729532	MILL DRILL COVER POST
533	P9729533	POST INSERT
534	P9729534	MICRO SWITCH
535	P9729535	BRAKE SPACER
536	P9729536	STUD M10-1.5 X 60
537	P9729537	HANDLE M10-1.5 X 80

REF	PART #	DESCRIPTION
541	P9729541	HOLE PLUG
543	P9729543	MILL DRILL COVER(LOWER)
544	PW03M	FLAT WASHER 6MM
545	PS14M	PHLP HD SCR M6-1 X 12
546	P9729546	MOTOR MOUNT
547	PB01M	HEX BOLT M10-1.5 X 30
548	P9729548	MILL DRILL COVER POST
550	P9729111T	MOTOR 3/4HP
551	PK08M	KEY 5 X 5 X 16
552	P9729552	TENSION HANDLE
553	PS26M	PHLP HD SCR M6-1 X 20
554	P9729554	ECCENTRIC SHAFT
555	P9729555	IDLE PULLEY
556	P6004	BALL BEARING 6004
557	P9729557	SPACER
558	PR62M	EXT RETAINING RING 42MM
559	P9729559	BEARING COVER
560	PFH07M	FLT HD SCR M5-.8 X 10
561	P9729561	QUILL
562	P9729562	GASKET
563	P9729563	BALL BEARING 35 X 62 X 17
564	P9729564	SPLINE SPINDLE
565	P9729565	COVER
566	PSS26M	SET SCREW M5-.8 X 6
567	P9729567	BALL BEARING 30 X 55 X 16
568	P9729568	SPANNER NUT M30-2
569	PW23M	FLAT WASHER 30MM
570	P9729570	COLLAR
571	P9729571	LABEL PLATE
572	P9729572	SCALE
573	P9729573	RIVET
574	PSB14M	CAP SCREW M8-1.25 X 20
577	P9729577	DRILL CHUCK 1/2" JT#33
578	P9729578	DRAW BAR
579	PW03M	FLAT WASHER 6MM

REF	PART #	DESCRIPTION
601	P9729601	QUILL FEEDING BOX
602	P9729602	GEAR SHAFT
603	PK81M	KEY 6 X 6 X 12
604	P9729604	COVER
605	P9729605	WORM GEAR
606	P9729606	CLUTCH JAW
607	PRP27M	ROLL PIN 5 X 28MM
608	P9729608	STUD
609	P9729609	DIAL
610	P9729610	SPRING PIECE
611	P9729611	HANDLE HUB
612	P9729612	HANDLE
613	P9729613	HANDLE KNOB M8-1.25 X 40
614	PSS58M	SET SCREW M6-1 X 18

REF	PART #	DESCRIPTION
615	P9729615	KNURLED KNOB M10-1.5
616	P9729616	WORM
617	P9729617	DIAL SEAT
618	P9729618	FLAT COIL SPRING
619	PSS24M	SET SCREW M5-.8 X 25
620	P9729620	WORM SHAFT
621	PRP39M	ROLL PIN 4 X 20
622	P9729622	CRANK
623	PRP19M	ROLL PIN 4 X 14
624	P9729624	HANDLE M8-1.25 X 40
625	P9729625	TAPER PIN 5 X 35
626	P9249002	OILER 6
627	P9729627	SPRING HOUSING COVER
628	P9729628	SPRING HOUSING

# G9729 Crossslide Assembly

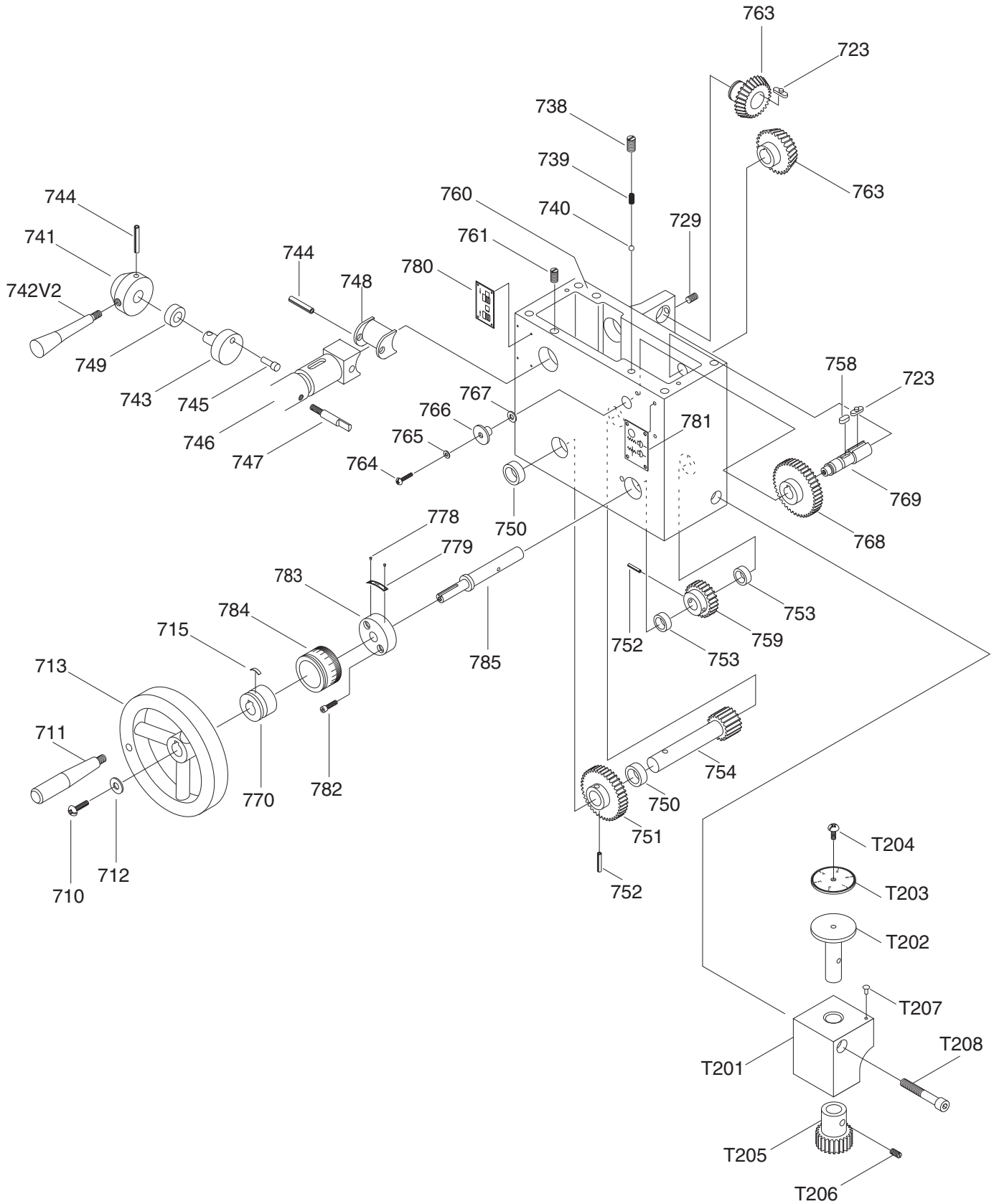


# G9729 Parts Breakdown 700 Series

REF	PART #	DESCRIPTION
701	PSB15M	CAP SCREW M5-.8 X 20
702	P9729702	TAPERED PIN 5 X 25
703	P9729703	END PLATE B
704	P9729704	TABLE
705	P9249002	OILER 6
706	P9729706	END PLATE
707	P9729707	LOCKING SCREW
710	PS19M	PHLP HD SCR M5-.8 X 6
711	P9729711	HANDLE
712	PW02M	FLAT WASHER 5MM
713	P9729713	HANDWHEEL 12 X 100
715	P9729715	SPRING PIECE
718	P9729718	SPANNER NUT M14 X 1.5
719	P51102	THRUST BEARING 51102
720	P9729720	SPACER A
721	P9729721	GEAR
722	PK102M	KEY 4 X 4 X 18
723	P9729723	T-KEY
724	P9729724	CROSSFEED SCREW
725	P9729725	CROSS FEED NUT
726	P9729726	ADJUST SCREW
727	P9729727	TABLE GIB
728	P9729728	CARRIAGE GIB
729	PSS03M	SET SCREW M6-1 X 8
730	P9729730	TAPER PIN 5X25
731	P9729731	CARRIAGE
732	PSS06M	SET SCREW M8-1.25 X 16
733	PSS14M	SET SCREW M8-1.25 X 12
734	P9729734	PIN
735	P9729735	LOCK STUD
736	P9729736	LOCK HANDLE
737	P9729737	HANDLE M6-1 X 32
738	PSS20M	SET SCREW M8-1.25 X 8
739	P9729739	COMPRESSION SPRING
740	P4015Z142	STEEL BALL 6.5
741	P9729741	HANDLE SEAT
742	P9729742	HANDLE M6-1 X 50
743	P9729743	ECCENTRIC WHEEL

REF	PART #	DESCRIPTION
744	PRP49M	ROLL PIN 5 X 25
745	P9729745	PIN
746	P9729746	PIVOT ARM
747	P9729747	STOP PIN
748	P9729748	PIVOT
749	P9729749	SPACER E
750	P9729750	SPACER B
751	P9729751	GEAR
752	PRP20M	ROLL PIN 4 X 22
753	P9729753	SPACER C
754	P9729754	SHAFT PINION
757	P9729757	LATHE CHUCK KEY
758	PK05M	KEY 4 X 4 X 10
759	P9729759	GEAR
760	P9729760	APRON
761	PSS124M	SET SCREW M8-1.25 X 16 DOG-PT
763	P9729763	BEVEL GEAR
764	PS03M	PHLP HD SCR M6-1 X 8
765	PW03M	FLAT WASHER 6MM
766	P9729766	PULL-PUSH KNOB
767	PW06M	FLAT WASHER 12MM
768	P9729768	GEAR
769	P9729769	SHAFT
770	P9729770	DIAL SEAT B
771	P9729771	BRASS BUSHING
772	P9729772	SHAFT
773	P9729773	GEAR
774	PR03M	EXT RETAINING RING 12MM
776	PR17M	EXT RETAINING RING 26MM
778	P9729778	RIVET
779	P9729779	SCALE PLATE
780	P9729780	LABEL PLATE
781	P9729781	LABEL PLATE
782	PSB68M	CAP SCREW M6-1 X 8
783	P9729783	COVER PLATE
784	P9729784	LARGE DIAL
785	P9729785	SHAFT

# G9729 Apron Assembly

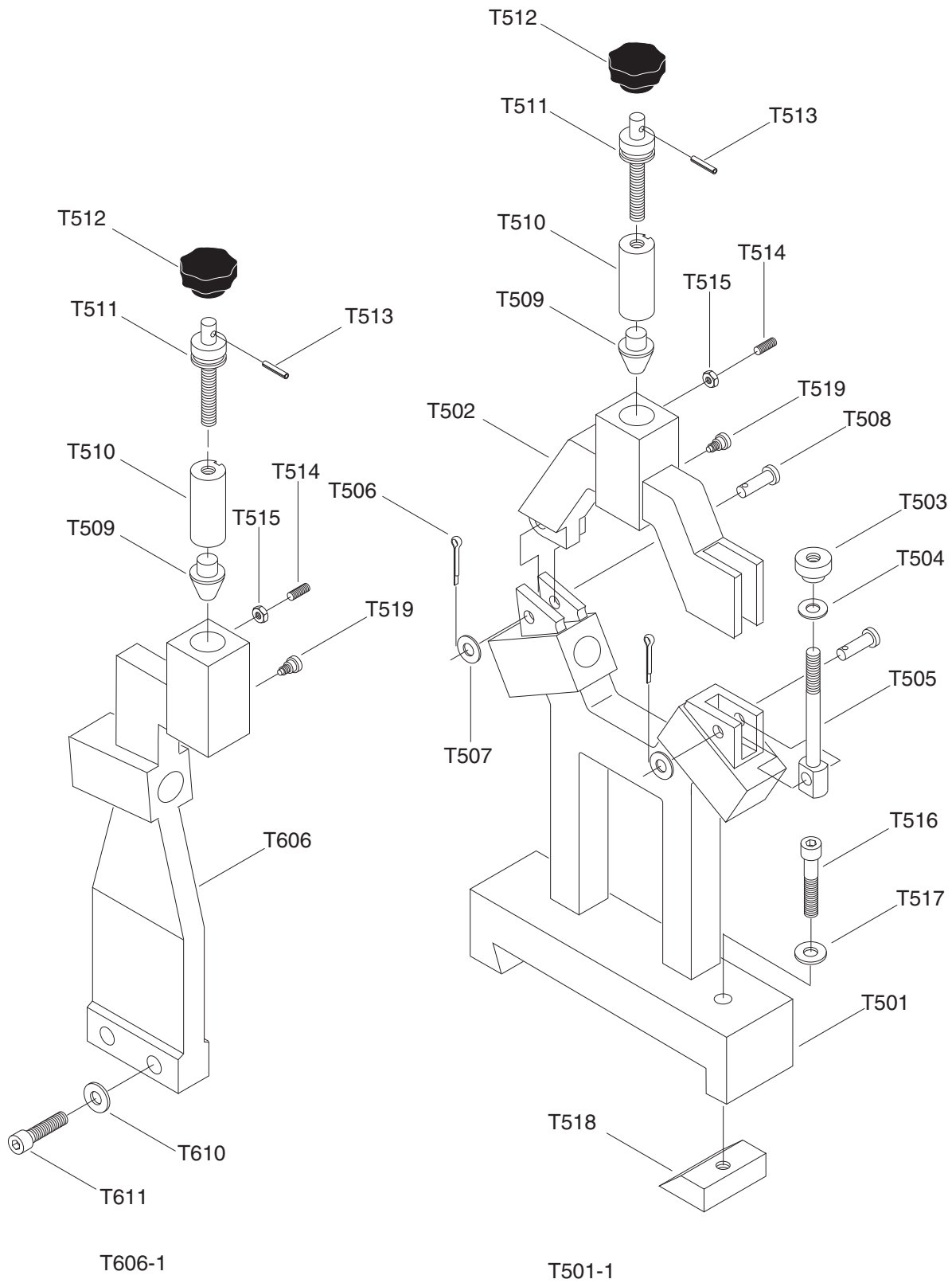


# G9729 Parts Breakdown T Series

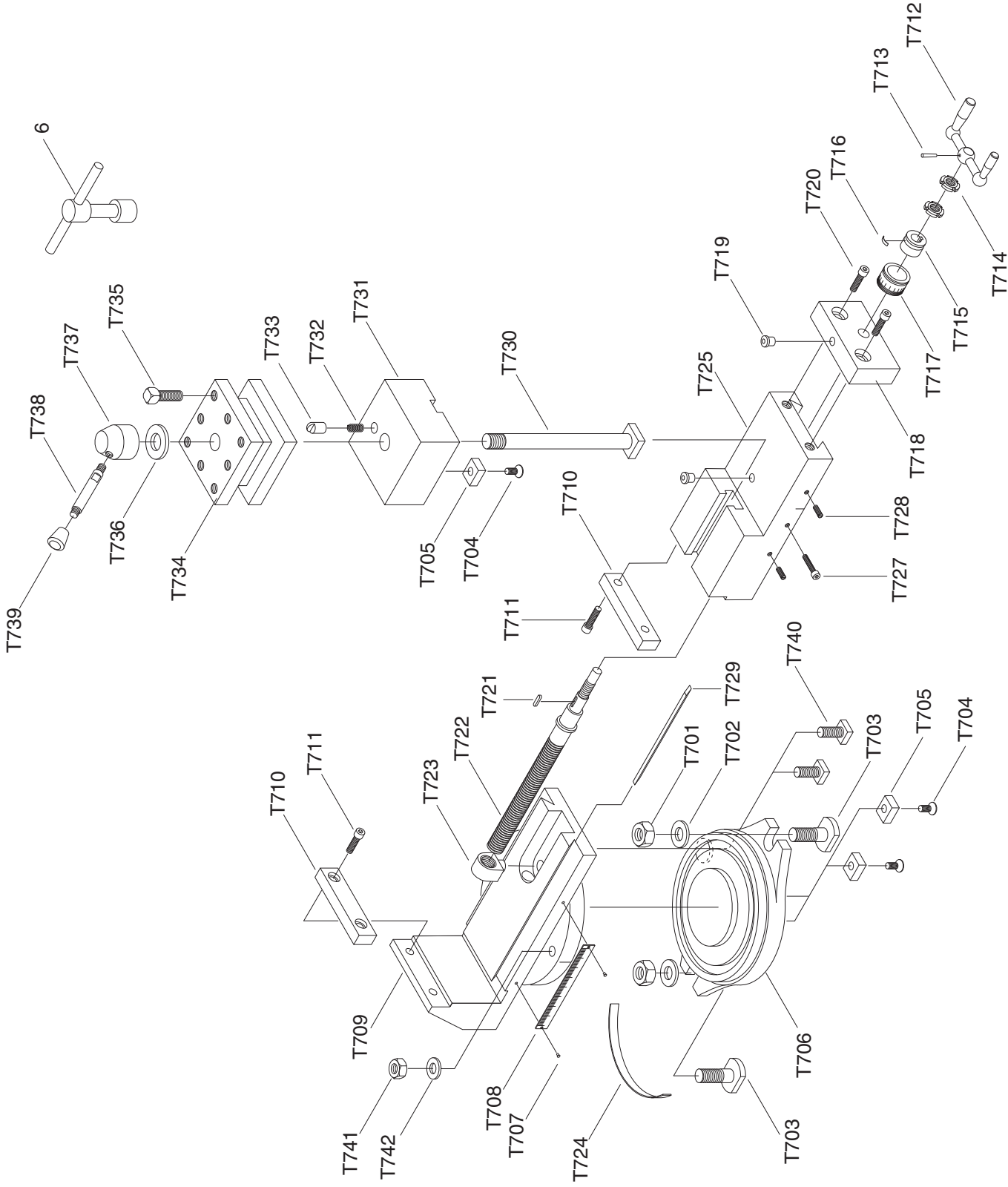
REF	PART #	DESCRIPTION
T201	P9729T201	THREAD DIAL SEAT
T202	P9729T202	SHAFT
T203	P9729T203	INDICATOR PLATE
T204	P9729T204	PHLP HD SCREW M4-.7 X 12
T205	P9729T205	GEAR
T206	P9729T206	SET SCREW M5-.8 X 8
T207	P9729T207	RIVET
T208	PCAP30M	CAP SCREW M6-1 X 45
T501	P9729T501	STEADY REST CENTER FRAME
T501-1	P9729T501-1	STEADY REST ASSEMBLY
T502	P9729T502	STDY REST CNTR FRAME HEAD
T503	P9729T503	KNOB M8-1.25
T504	PW01M	FLAT WASHER 8MM
T505	P9729T505	LOCKING BOLT
T506	P9729T506	COTTER PIN 6 X 20
T507	PW03M	FLAT WASHER 6MM
T508	P9729T508	LOCKING PIN
T509	P9729T509	BRASS HEAD
T510	P9729T510	FINGER SLEEVE
T511	P9729T511	ADJUSTING BOLT
T512	P9729333	KNOB M8-1.25 X 32
T513	PRP02M	ROLL PIN 3 X 16
T514	PSS64M	SET SCREW M6-1 X 15
T515	PN01M	HEX NUT M6-1
T516	PSB44M	CAP SCREW M10-1.5 X 28
T517	PW04M	FLAT WASHER 10MM
T518	P9729T518	CHOCK
T519	P9729T519	KNURLED SCREW
T606	P9729T606	FOLLOW REST FRAME
T606-1	P9729T606-1	FOLLOW REST ASSEMBLY
T610	PW01M	FLAT WASHER 8MM
T611	PSB13M	CAP SCREW M8-1.25 X 30
T701	PN02M	HEX NUT M10-1.5
T702	PW04M	FLAT WASHER 10MM
T703	P9729T703	T BOLTS M10-1.5
T704	PFH25M	FLAT HD SCR M4-.7 X 12
T705	P9729T705	SQUARE KEY

REF	PART #	DESCRIPTION
T706	P9729T706	BASE
T707	P9729T707	RIVET
T708	P9729T708	SCALE
T709	P9729T709	VICE
T710	P9729T710	VICE JAW
T711	PSB68M	CAP SCREW M6-1 X 8
T712	P9729T712	HANDLE M8-1.25 X 25
T713	PRP02M	ROLL PIN 3 X 16
T714	P9729T714	SPANNER NUT M10-1.5
T715	P9729T715	DIAL SEAT
T716	P9729T716	SPRING PIECE
T717	P9729T717	DIAL
T718	P9729T718	SCREW SET
T719	P9249002	OILER 6
T720	PSB01M	CAP SCREW M6-1 x 16
T721	PK97M	KEY 4 X 4 X 14
T722	P9729T722	LEAD SCREW TR12
T723	P9729T723	LEAD NUT 12-1.75
T724	P9729T724	ANGLE RULE
T725	P9729T725	MOBILE JAW
T727	PSB03M	CAP SCREW M5-.8 X 8
T728	PSS05M	SET SCREW M5-.8 X 10
T729	P9729T729	GIB
T730	P9729T730	T-BOLT M10-1.5 X 100
T731	P9729T731	TOOL BASE
T732	P9729T732	COMPRESSION SPRING
T733	P9729T733	POSITIONER
T734	P9729T734	TOOL POST
T735	P9729T735	TOOL POST SCR M8-1.25 X 25
T736	PW04M	FLAT WASHER 10MM
T737	P9729T737	HANDLE HUB
T738	P9729T738	HANDLE
T739	P9729T739	HANDLE KNOB M10-1.5 X 32
T740	P9729T740	T-BOLT M8-1.25 X 25
T741	PN03M	HEX NUT M8-1.25
T742	PW01M	FLAT WASHER 8MM

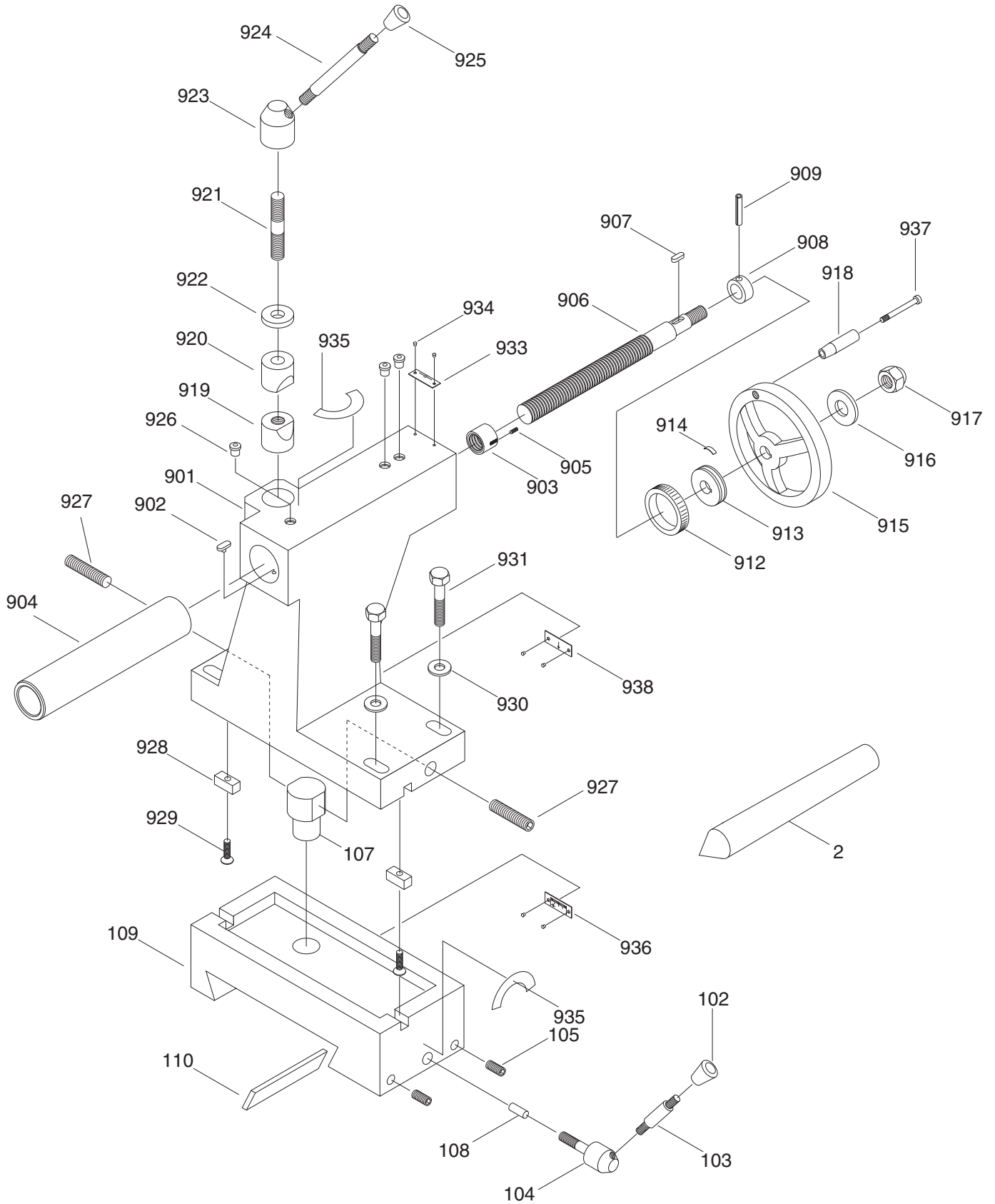
# G9729 Rests Assemblies



# G9729 Compound Assembly



# G9729 Tailstock Assembly



# G9729 Parts Breakdown 900 Series

REF	PART #	DESCRIPTION
901	P9729901	TAILSTOCK
902	P9729902	T-KEY
903	P9729903	TAILSTOCK NUT
904	P9729904	TAILSTOCK BARREL
905	PSS52M	SET SCREW M4-.7 X 8
906	P9729906	TAILSTOCK SCREW
907	PK05M	KEY 4 X 4 X 10
908	P9729908	SPACER
909	PRP35M	ROLL PIN 5 X 10
912	P9729912	DIAL
913	P9729913	DIAL SEAT
914	P9729914	SPRING PIECE
915	P9729915	HANDWHEEL 12 X 100
916	PW04M	FLAT WASHER 10MM
917	P9729917	ACORN NUT M10-1.5
918	P9729918	HANDLE
919	P9729919	LOCKING PAD (LOWER)
920	P9729920	LOCKING PAD (UPPER)

REF	PART #	DESCRIPTION
921	P9729921	STUD M10-1.5 X 40
922	P9729922	SPACER
923	P9729923	HANDLE HUB
924	P9729924	HANDLE
925	P9729925	HANDLE KNOB M10-1.5
926	P9249002	OILER 6
927	PSS39M	SET SCREW M10-1.5 X 50
928	P9729928	LOCATING KEY
929	PFH37M	FLAT HD SCR M5-.8 X 25
930	PW04M	FLAT WASHER 10MM
931	PB31M	HEX BOLT M10-1.5 X 40
933	P9729933	QUILL SCALE
934	P9729934	RIVET
935	P9729935	LABEL
936	P9729936	CARRIAGE SCALE
937	P9729937	HANDLE SCREW M8-1.25 X 55
938	P9729938	SCALE POINTER