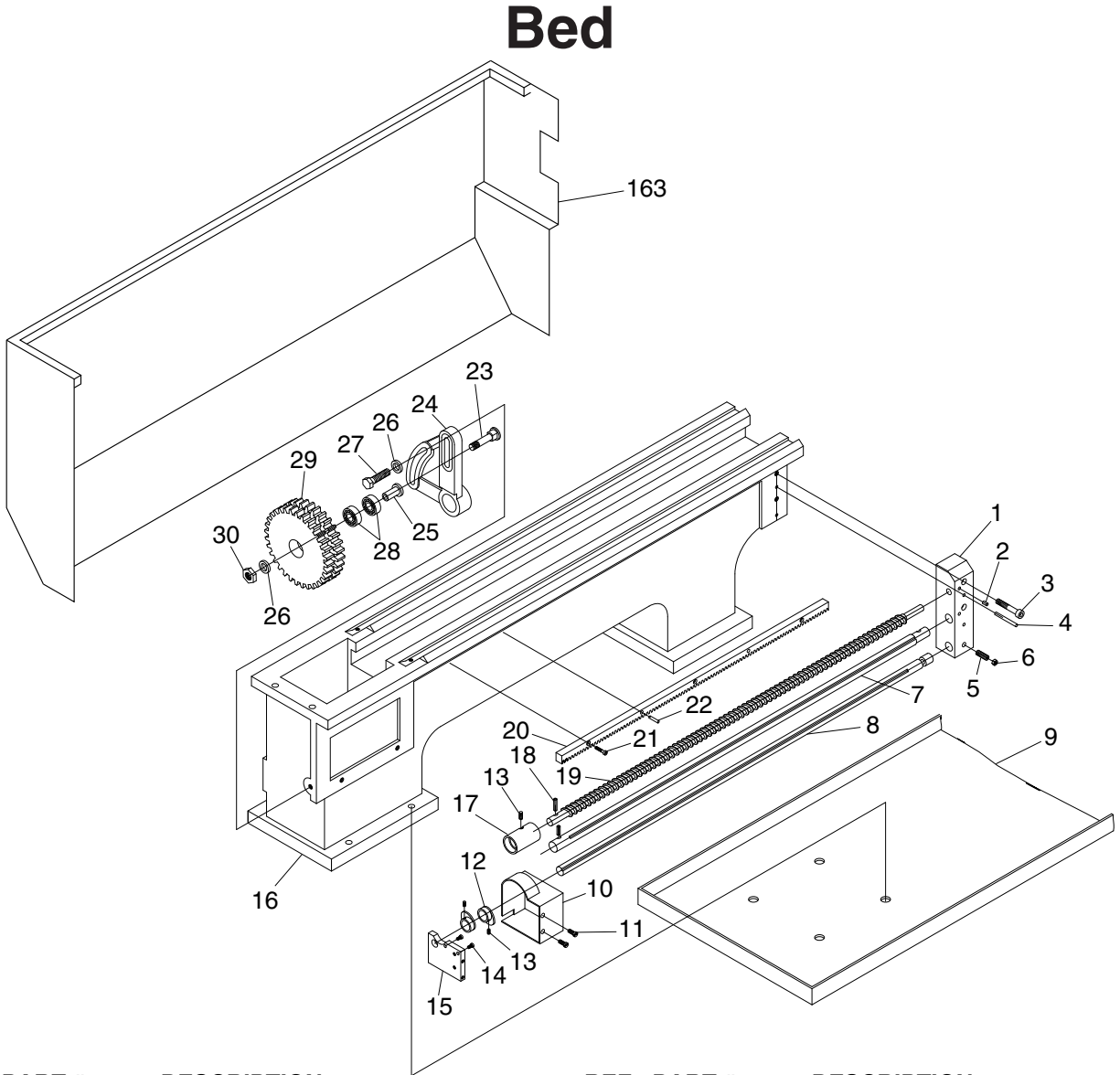


SECTION 9: PARTS

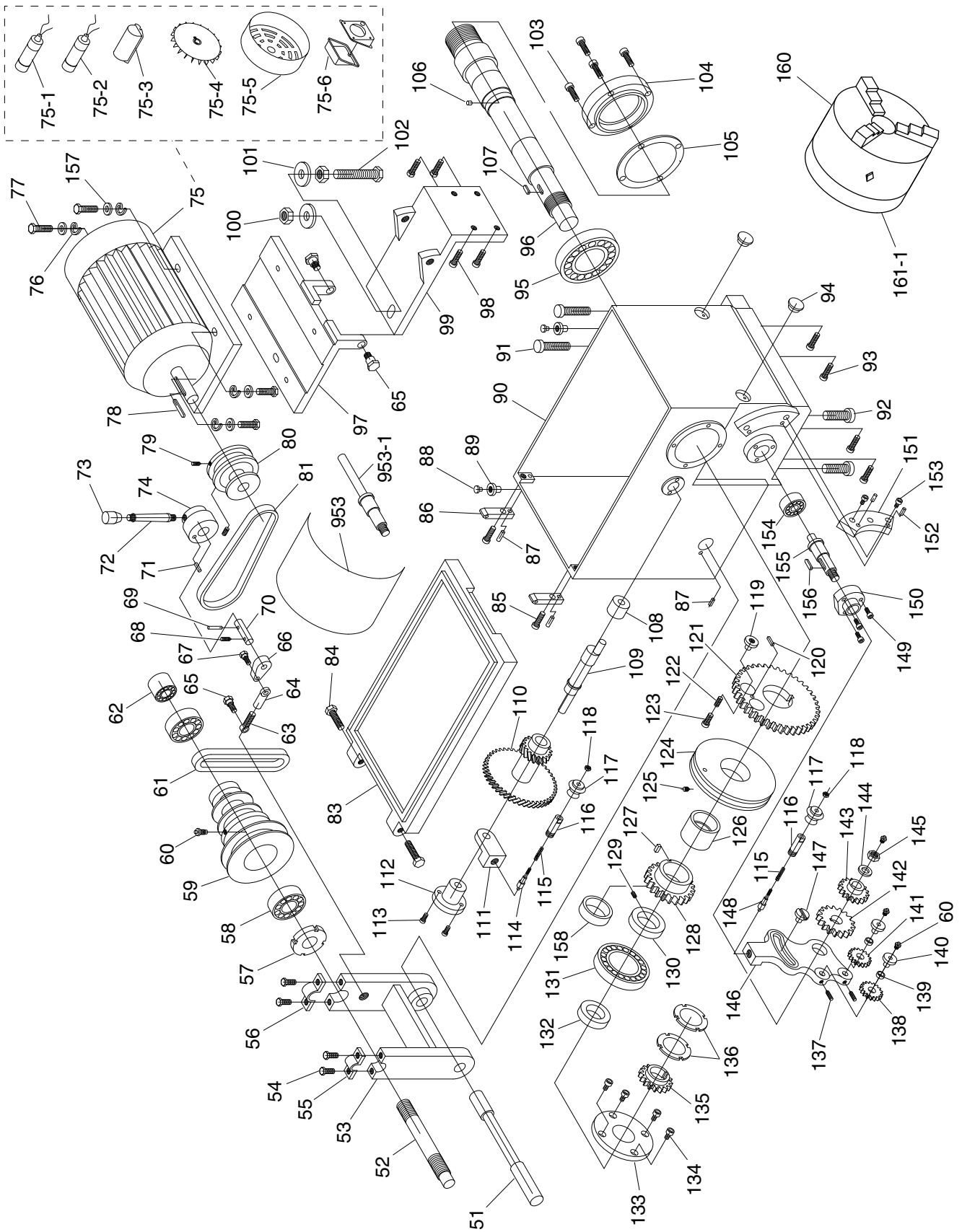


REF	PART #	DESCRIPTION
1	P9249001	ROD END CAP
2	P9249002	BALL OILER
3	PSB05M	CAP SCREW M8-1.25 X 50
4	PRP30M	ROLL PIN 5 X 50
5	PSS09M	SET SCREW M8-1.25 X 20
6	PN03M	HEX NUT M8-1.25
7	P9249007	FEED ROD
8	P9249008	SPINDLE DIRECTION ROD
9	P9249009	CHIP PAN
10	P9249010	SWITCH COVER
11	PS14M	PHLP HD SCR M6-1 X 12
12	P9249012	ECCENTRIC BRACKET
13	PSS02M	SET SCREW M6-1 X 6
14	PSB26M	CAP SCREW M6-1 X 12
15	P9249015	SWITCH BRACKET
16	P9249016	BED

REF	PART #	DESCRIPTION
17	P9249017	LEADSCREW BUSHING
18	PRP05M	ROLL PIN 5 X 30
19	P9249019	CARRIAGE LEADSCREW
20	P9249020	RACK
21	PSB02M	CAP SCREW M6-1 X 20
22	PRP05M	ROLL PIN 5 X 30
23	P9249023	SHAFT
24	P9249024	BRACKET
25	P9249025	BEARING SLEEVE
26	PW04M	FLAT WASHER 10MM
27	PB31M	HEX BOLT M10-1.5 x 40
28	P6003	BALL BEARING 6003ZZ
29	P9249029	CHANGE GEAR 120/127T
30	P9249030	SPECIAL NUT M10-1.5
163	P9249163	BACKSPLASH



Headstock



Headstock Parts List

REF	PART #	DESCRIPTION
51	P9249051	BRACKET AXLE
52	P9249052	IDLER PULLEY SHAFT
53	P9249053	IDLER BRACKET
54	PB107M	HEX BOLT M5-.8 X 12
55	P9249055	BRACKET CAP SMALL
56	P9249056	BRACKET CAP LARGE
57	P9249057	SPANNER NUT M10-1.0
58	P6005	BALL BEARING 6005ZZ
59	P9249059	IDLER PULLEY
60	P9249002	BALL OILER
61	PVB38	V-BELT B-38 5L380
62	P9249062	SPECIAL LOCK NUT
63	P9249063	SPECIAL BOLT M5-.8 X 20
64	P9249064	ADJUSTABLE NUT M5-.8
65	P9249065	SPECIAL BOLT M5-.8 X 16
66	P9249066	ECCENTRIC ARM
67	PB95M	HEX BOLT M5-.8 X 16
68	PSS14M	SET SCREW M8-1.25 X 12
69	PRP28M	ROLL PIN 5 X 40
70	P9249070	SHAFT
71	PRP94M	ROLL PIN 5 X 14
72	P9249072	HANDLE
73	P9249073	KNOB M10-1.5 X 50
74	P9249074	HANDLE HUB
75	P9249075	MOTOR 2HP 220V 60HZ 1PH
75-1	PC200A	S CAPACITOR 200M 250V 1-3/8 X 2-3/4
75-2	PC20A	R CAPACITOR 20M 400V 1-5/8 X 2-3/4
75-3	P9249075-3	CAPACITOR COVER
75-4	P9249075-4	MOTOR FAN
75-5	P9249075-5	MOTOR FAN COVER
75-6	P9249075-6	MOTOR WIRING JUNCTION BOX
76	PLW04M	LOCK WASHER 8MM
77	PB07M	HEX BOLT M8-1.25 X 25
78	PK142M	KEY 6 X 6 X 32
79	PSS06M	SET SCREW M8-1.25 X 16
80	P9249080	MOTOR PULLEY
81	P9249081	V-BELT B-813
83	P9249083	GEARBOX COVER
84	PB20M	HEX BOLT M8-1.25 X 35
85	PSB14M	CAP SCREW M8-1.25 X 20

REF	PART #	DESCRIPTION
86	P9249086	HINGE
87	PRP49M	ROLL PIN 5 X 25
88	P9249088	PLUG
89	P9249089	PLUG BASE
90	P9249090	HEADSTOCK CASTING
91	PSB84M	CAP SCREW M10-1.5 X 35
92	PSB72M	CAP SCREW M10-1.5 X 30
93	PSB13M	CAP SCREW M8-1.25 X 30
94	P9249094	SIGHT GLASS
95	P7211	BEARING D-7211
96	P9249096	SPINDLE
97	P9249097	MOTOR MOUNT
98	PSB13M	CAP SCREW M8-1.25 X 30
99	P9249099	MOTOR BASE PLATE
100	PN09M	HEX NUT M12-1.75
101	PW06M	FLAT WASHER 12MM
102	PB43M	HEX BOLT M12-1.75 X 75
103	PSB14M	CAP SCREW M8-1.25 X 20
104	P9249104	SPINDLE FRONT COVER
105	P9249105	GASKET
106	P9249106	KEY 8 X 14
107	PK144M	KEY 6 X 6 X 16
108	P9249108	BACK GEAR BUSHING
109	P9249109	BACK GEAR SHAFT
110	P9249110	BACK GEAR 24/58T
111	P9249111	BACK GEAR BRACKET
112	P9249112	BACK GEAR MOUNT
113	PSB04M	CAP SCREW M6-1 X 10
114	P9249114	LOCKING PIN
115	P9249115	COMPRESSION SPRING .8 X 5 X 1.5
116	P9249116	HANDLE
117	P9249117	KNOB
118	PN01M	HEX NUT M6-1
119	P9249119	FIGURED FLAT NUT M8-1.25
120	PRP02M	ROLL PIN 3 X 16
121	P9249121	HELICAL GEAR
122	P9249122	COMPRESSION SPRING 1 X 5 X 1.5
123	P9249123	LOCKING PIN
124	P9249124	SPINDLE PULLEY
125	PSS01M	SET SCREW M6-1 X 10



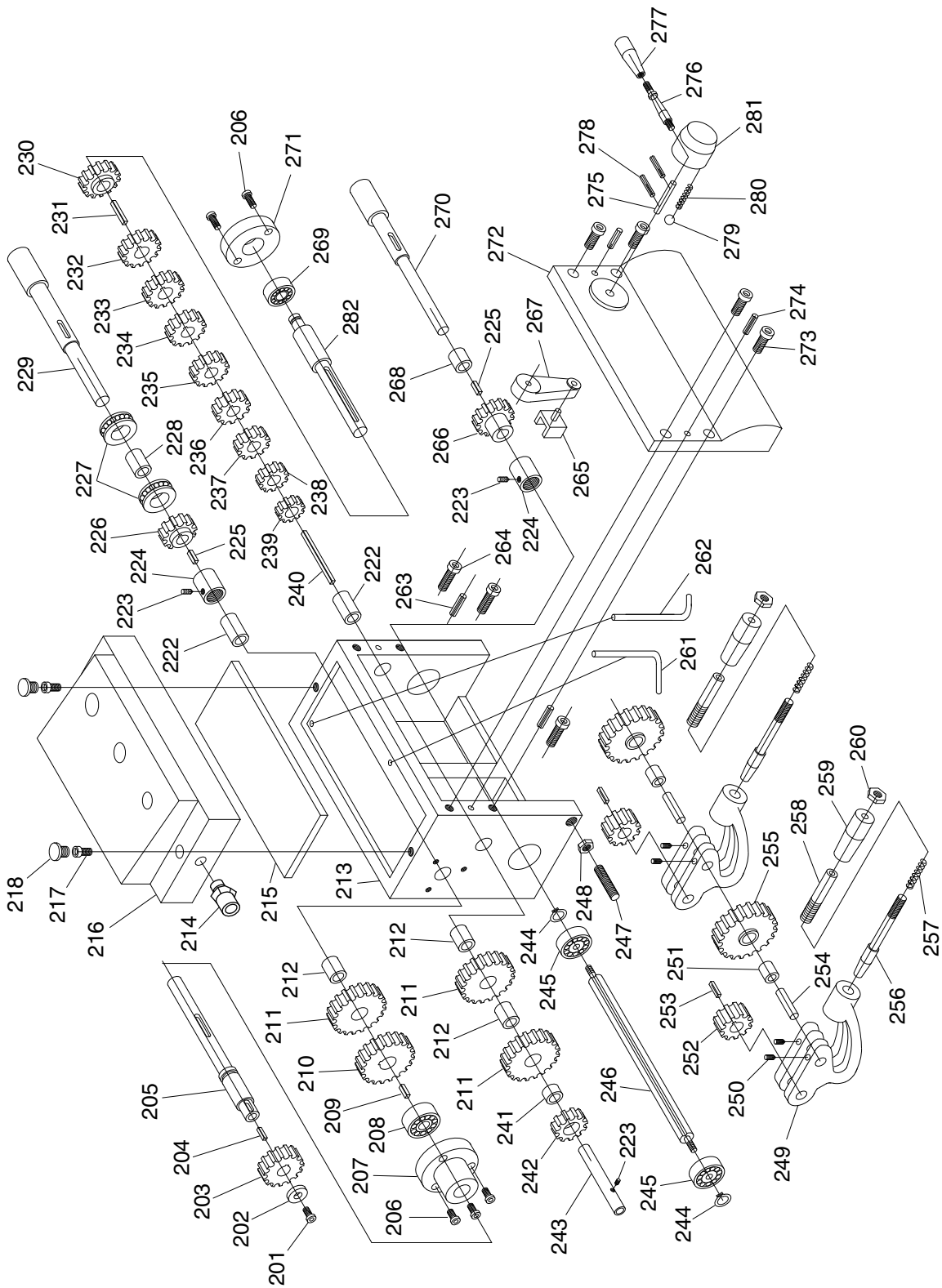
Headstock Parts List

REF	PART #	DESCRIPTION
126	P9249126	BUSHING
127	PK107M	KEY 8 X 8 X 20
128	P9249128	HELICAL GEAR 39T
129	PSS16M	SET SCREW M8-1.25 X 10
130	P9249130	COLLAR
131	P30210	TAPERED ROLLER BEARING 30210
132	P9249132	BUSHING
133	P9249133	SPINDLE BACK COVER
134	PSB11M	CAP SCREW M8-1.25 X 16
135	P9249135	SPUR GEAR 40T
136	P9249136	SPANNER NUT M45 X 1.5
137	PSS04M	SET SCREW M6-1 X 12
138	P9249138	SPUR GEAR 30T
139	P9249139	BUSHING
140	P9249140	AXLE
141	P9249141	SPUR GEAR 30T
142	P9249142	SPUR GEAR 50T
143	P9249143	GEAR 40T
144	PW14M	FLAT WASHER 15MM

REF	PART #	DESCRIPTION
145	PN09M	HEX NUT M12-1.75
146	P9249146	BRACKET
147	P9249147	SPECIAL SCREW M5-.8 X 5
148	P9249148	LOCKING PIN
149	PSB01M	CAP SCREW M6-1 X 16
150	P9249150	BEARING SEAT
151	P9249151	BRACKET
152	PRP03M	ROLL PIN 5 X 20
153	PSB24M	CAP SCREW M5-.8 X 16
154	P6202	BALL BEARING 6202ZZ
155	P9249155	SHAFT
156	PK23M	KEY 5 X 5 X 25
157	PW01M	FLAT WASHER 8MM
158	P9249158	BUSHING
160	P9249160	3-JAW CHUCK 6"
161-1	P9249161-1	3-JAW BACKPLATE
953	P9249953	CHIP GUARD PLEXIGLASS
953-1	P9249953-1	CHIP GUARD SHAFT



Feed Rate Gearbox



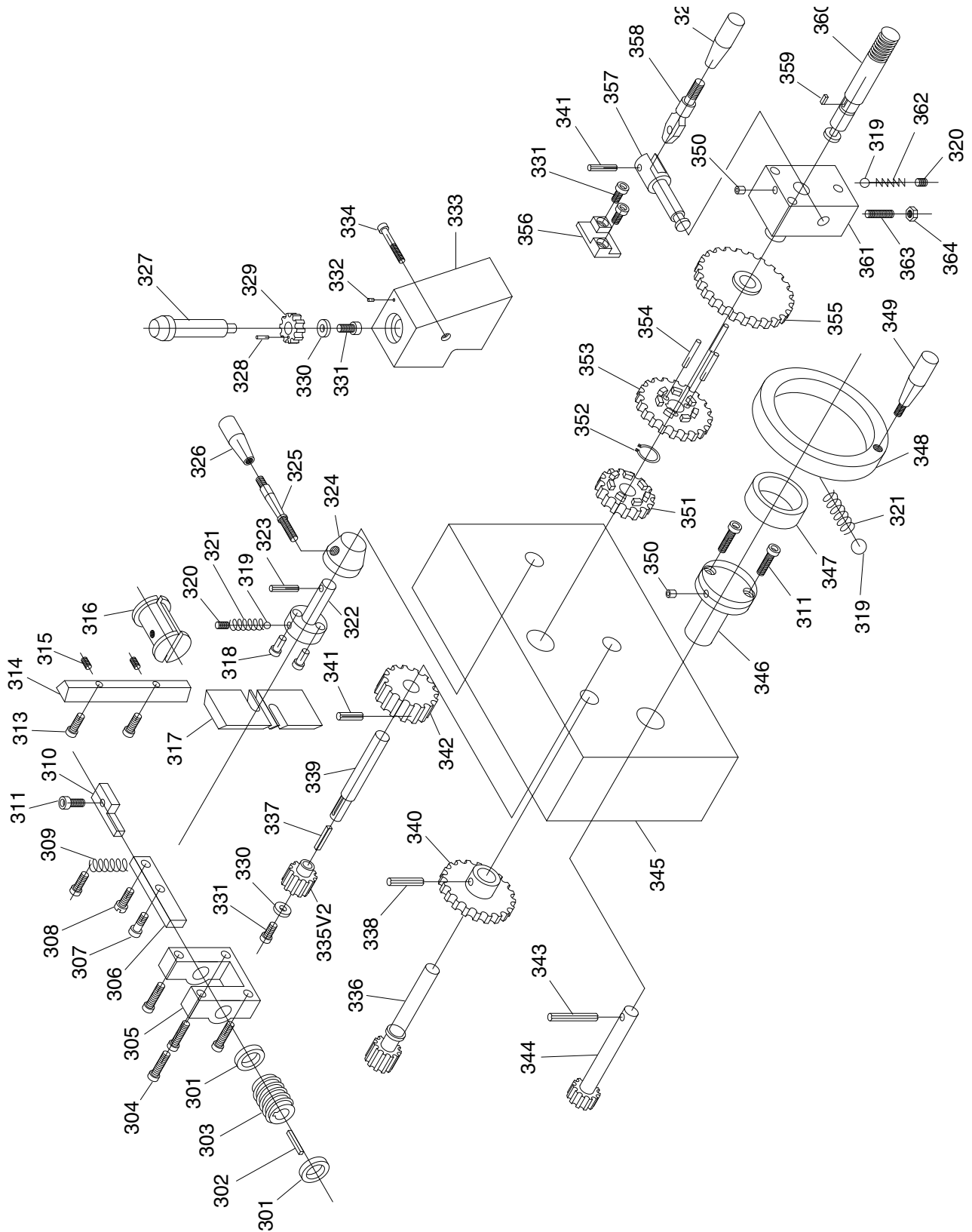
Feed Rate Gearbox Parts List

REF	PART #	DESCRIPTION
201	PSB26M	CAP SCREW M6-1 X 12
202	PW03M	FLAT WASHER 6MM
203	P9249203	GEAR
204	PK19M	KEY 5 X 5 X 14
205	P9249205	SHAFT
206	PSB04M	CAP SCREW M6-1 X 10
207	P9249207	BEARING COVER
208	P6003	BALL BEARING 6003ZZ
209	PRP24M	ROLL PIN 5 X 16
210	P9249210	DUPLEX GEAR
211	P9249211	DUPLEX GEAR 16/32T
212	P9249212	BUSHING
213	P9249213	GEARBOX CASTING
214	P9249214	STRAIN RELIEF
215	P9249215	OIL GASKET
216	P9249216	CONTROL BASE
217	P9249217	PLUG BASE
218	P9249218	PLUG
222	P9249222	BUSHING
223	PSS11M	SET SCREW M6-1 X 16
224	P9249224	LOCK COLLAR 20-2.5 X 30
225	PK144M	KEY 6 X 6 X 16
226	P9249226	GEAR 24T
227	P51104	THRUST BEARING 51104
228	P9249228	BUSHING
229	P9249229	SHAFT
230	P9249230	GEAR 24T
231	PK142M	KEY 6 X 6 X 32
232	P9249232	GEAR 28T
233	P9249233	GEAR 26T
234	P9249234	GEAR 24T
235	P9249235	GEAR 22T
236	P9249236	GEAR 20T
237	P9249237	GEAR 19T
238	P9249238	GEAR 18T
239	P9249239	GEAR 16T
240	PK120M	KEY 5 X 5 X 75
241	P9249241	BUSHING
242	P9249242	GEAR 16T
243	P9249243	SHAFT

REF	PART #	DESCRIPTION
244	PR03M	EXT RETAINING RING 12MM
245	P6201	BALL BEARING 6201
246	P9249246	SHAFT
247	PSS74M	SET SCREW M8-1.25 x 35
248	PN03M	HEX NUT M8-1.25
249	P9249249	BRACKET
250	PSS02M	SET SCREW M6-1 X 6
251	P9249251	BUSHING
252	P9249252	GEAR 16T
253	PK19M	KEY 5 X 5 X 14
254	P9249254	GEAR SHAFT 16 X 34T
255	P9249255	GEAR 36T
256	P9249256	SHAFT
257	P9249257	COMPRESSION SPRING 6 X 15
258	P9249258	THREADED SHAFT
259	P9249259	HANDLE
260	PN01M	HEX NUT M6-1
261	P9249261	OIL PIPE
262	P9249262	OIL PIPE
263	PRP03M	ROLL PIN 5 X 20
264	PSB31M	CAP SCREW M8-1.25 X 25
265	P9249265	SHIFTING FORK
266	P9249266	GEAR 24T
267	P9249267	CONNECTING ROD
268	P9249268	BUSHING
269	P6201	BALL BEARING 6201
270	P9249270	SHAFT
271	P9249271	FRONT COVER
272	P9249272	GEARBOX FRONT COVER
273	PSB01M	CAP SCREW M6-1 X 16
274	PRP26M	ROLL PIN 5 X 26
275	P9249275	SHAFT
276	P9249276	LEVER M10-1.5 X 50
277	P9249277	HANDLE
278	PRP28M	ROLL PIN 5 X 40
279	P9249279	STEEL BALL 6MM
280	P9249280	COMPRESSION SPRING 1 X 4.5 X 16-2
281	P9249281	HANDLE HUB
282	P9249282	SHAFT



Apron



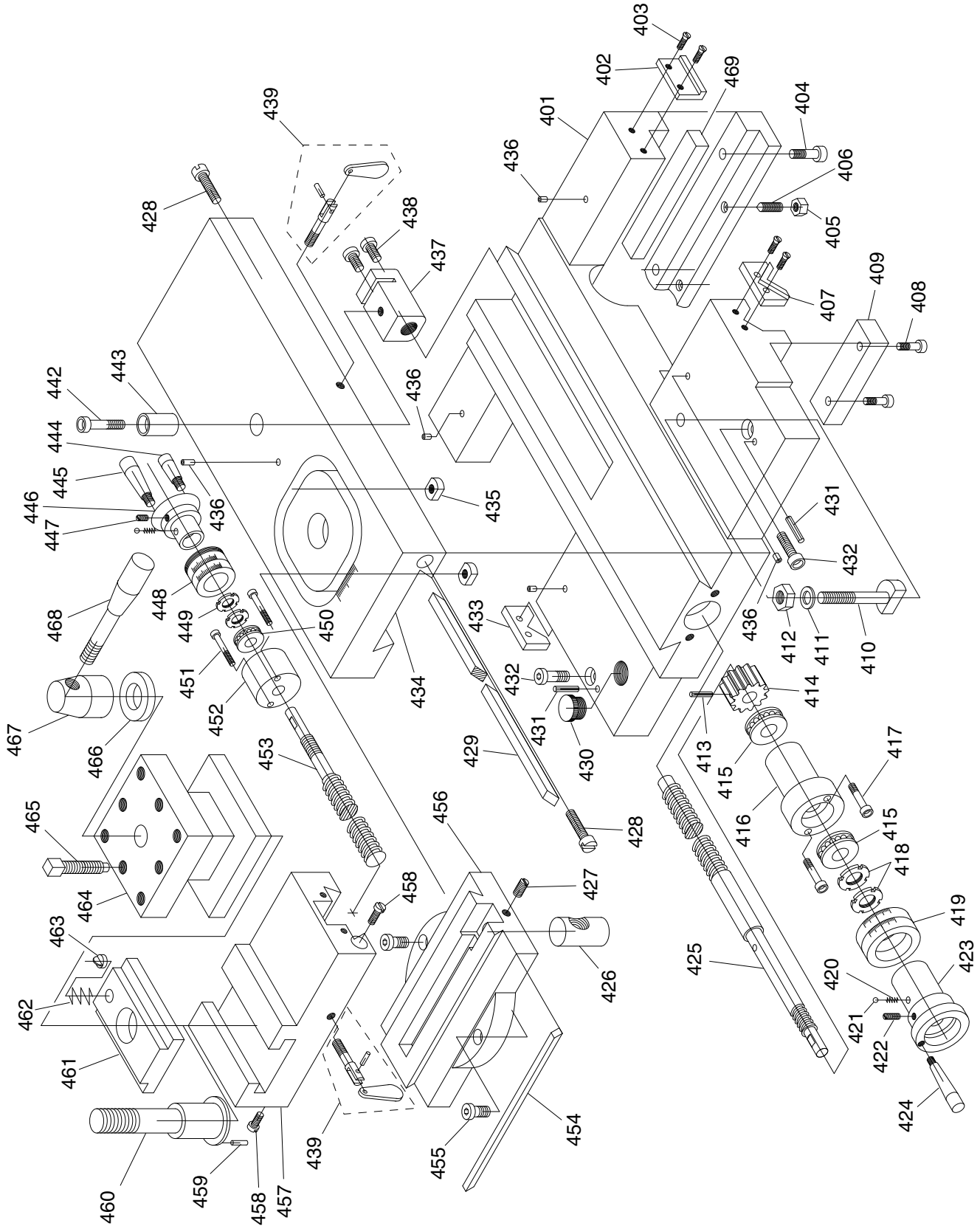
Apron Parts List

REF	PART #	DESCRIPTION
301	P9249301	COLLAR 25MM
302	PK126M	KEY 5 X 5 X 32
303	P9249303	WORM GEAR
304	PSB06M	CAP SCREW M6-1 X 25
305	P9249305	BRACKET
306	P9249306	SLIDE BAR
307	PSB68M	CAP SCREW M6-1 X 8
308	PS74M	PHLP HD SCR M4-.7 X 14
309	P9249309	COMPRESSION SPRING .8 X 5 X 1.5
310	P9249310	BRACKET
311	PSB01M	CAP SCREW M6-1 X 16
313	PSB24M	CAP SCREW M5-.8 X 16
314	P9249314	GUIDE PLATE
315	PSS04M	SET SCREW M6-1 X 12
316	P9249316	HALF NUT M25
317	P9249317	HALF NUT BRACKET
318	P9249318	SPECIAL PIN
319	P9249279	STEEL BALL 6MM
320	PSS20M	SET SCREW M8-1.25 X 8
321	P9249321	COMPRESSION SPRING .8 X 10 X 1.5
322	P9249322	HALF NUT ROD
323	PRP28M	ROLL PIN 5 X 40
324	P9249324	HANDLE HUB
325	P9249325	LEVER M12-1.75 X 50
326	P9249326	HANDLE
327	P9249327	THREAD DIAL
328	PRP61M	ROLL PIN 3 X 12
329	P9249329	INDICATOR GEAR
330	PW03M	FLAT WASHER 6MM
331	PSB26M	CAP SCREW M6-1 X 12
332	P9249332	RIVET 2.5 X 5
333	P9249333	THREAD DIAL HOUSING

REF	PART #	DESCRIPTION
334	PSB30M	CAP SCREW M6-1 X 45
335	P9249335	WORM GEAR
336	P9249336	GEAR SHAFT 16 X 116T
337	PK48M	KEY 4 X 4 X 20
338	PRP05M	ROLL PIN 5 X 30
339	P9249339	SHAFT
340	P9249340	SPUR GEAR
341	PRP49M	ROLL PIN 5 X 25
342	P9249342	TRANSMISSION GEAR
343	PRP38M	ROLL PIN 5 X 60
344	P9249344	HANDWHEEL GEAR
345	P9249345	APRON CASTING
346	P9249346	HANDWHEEL SEAT
347	P9249347	GRADUATED COLLAR
348	P9249348	HANDWHEEL
349	P9249349	HANDLE M8-1.25 X 63
350	P9249002	BALL OILER
351	P9249351	CLUTCH GEAR
352	PR06M	EXT RETAINING RING 16MM
353	P9249353	CLUTCH GEAR
354	PRP08M	ROLL PIN 6 X 30
355	P9249355	CLUTCH GEAR
356	P9249356	SHIFTING BRACKET
357	P9249357	CHANGE ROD
358	P9249358	CHANGE LEVER
359	PK29M	KEY 4 X 4 X 8
360	P9249360	CHANGE SHAFT
361	P9249361	CHANGE LEVER SEAT
362	P9249362	COMPRESSION SPRING 1 X 5 X 1.5
363	PSS74M	SET SCREW M8-1.25 X 35
364	PN03M	HEX NUT M8-1.25



Carriage



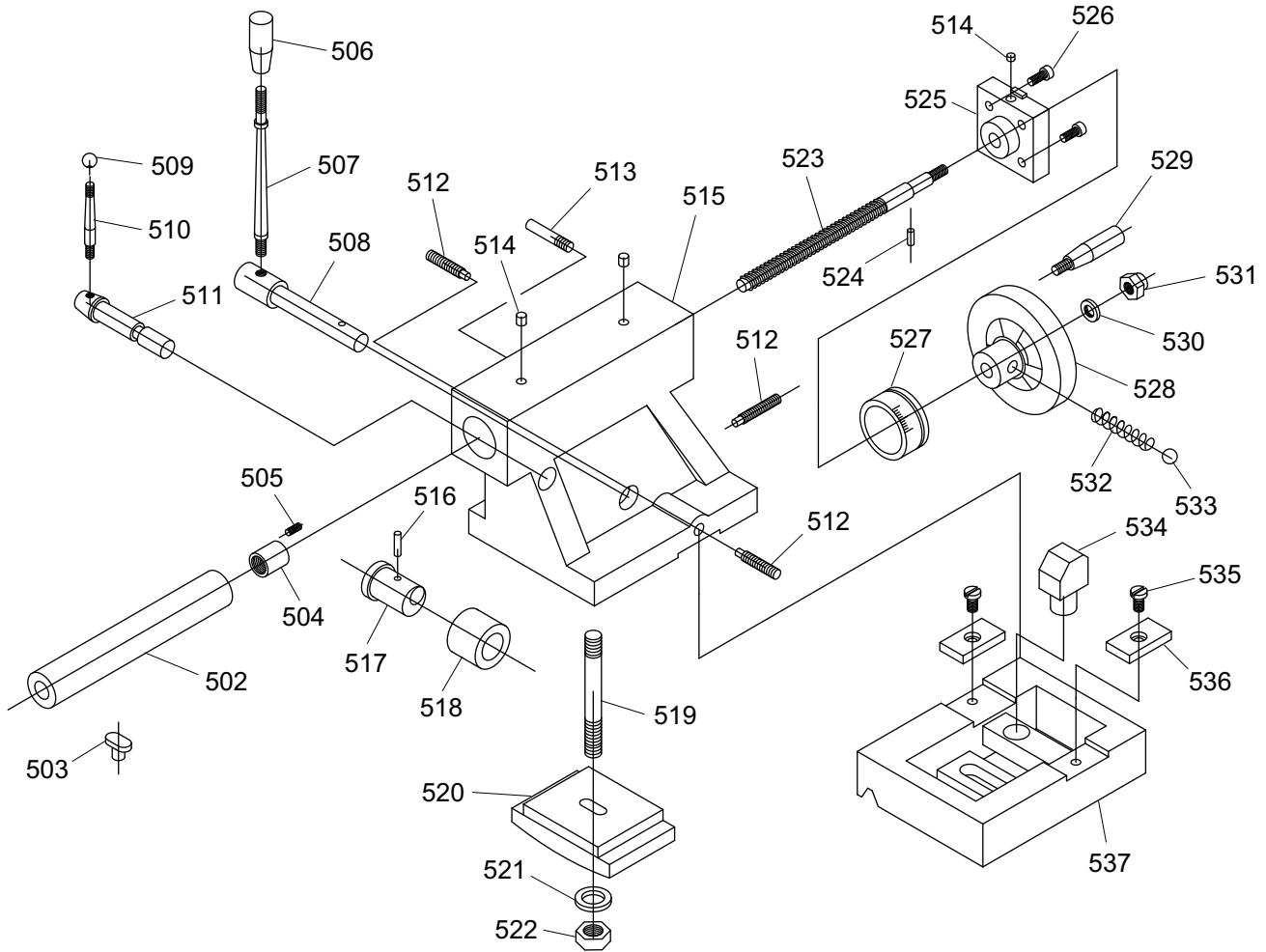
Carriage Parts List

REF	PART #	DESCRIPTION
401	P9249401	SADDLE
402	P9249402	WIPER
403	PS08M	PHLP HD SCR M5-.8 X 12
404	PSB31M	CAP SCREW M8-1.25 X 25
405	PN03M	HEX NUT M8-1.25
406	PSS21M	SET SCREW M8-1.25 X 25
407	P9249407	WIPER
408	PSB01M	CAP SCREW M6-1 X 16
409	P9249409	SLIDE BLOCK
410	P9249410	SADDLE LOCK BOLT M10-1.5 X 100
411	PW04M	FLAT WASHER 10MM
412	PN02M	HEX NUT M10-1.5
413	PRP03M	ROLL PIN 5 X 20
414	P9249414	GEAR 12T
415	P8101	THRUST BEARING 8101
416	P9249416	LEADSCREW SEAT M35
417	PSB30M	CAP SCREW M6-1 X 45
418	PN09M	SPANNER NUT M12-1.75
419	P9249419	GRADUATED COLLAR
420	P9249420	COMPRESSION SPRING .5 X 5 X 1.5
421	P9249279	STEEL BALL 6MM
422	PSS11M	SET SCREW M6-1 X 16
423	P9249423	HANDWHEEL
424	P9249424	HANDLE
425	P9249425	SADDLE LEADSCREW M15
426	P9249426	LEADSCREW NUT M15
427	PSS04M	SET SCREW M6-1 X 12
428	P9249428	GIB SCREW M6-1 X 20
429	P9249429	CROSS SLIDE GIB
430	P9249430	PLUG
431	PRP45M	ROLL PIN 5 X 32
432	PSB13M	CAP SCREW M8-1.25 X 30
433	P9249433	WIPER
434	P9249434	CROSS SLIDE

REF	PART #	DESCRIPTION
435	P9249435	SPECIAL NUT
436	P9249002	BALL OILER
437	P9249437	LEADSCREW NUT M15
438	PSB39M	CAP SCREW M4-.7 X 20
439	P9249439	SLIDE LOCK ASSY
442	PSB02M	CAP SCREW M6-1 X 20
443	P9249443	BUSHING
444	P9249444	HANDLE
445	P9249445	HANDLE
446	P9249446	HANDWHEEL
447	PSS02M	SET SCREW M6-1 X 6
448	P9249448	GRADUATED COLLAR
449	P9249449	SPANNER NUT M10-1
450	P8100	THRUST BEARING 8100
451	PSB21M	CAP SCREW M4-.7 X 30
452	P9249452	BEARING SEAT
453	P9249453	CROSS SLIDE LEADSCREW M15
454	P9249454	COMPOUND SLIDE GIB
455	PSB76M	CAP SCREW M8-1.25 X 18
456	P9249456	COMPOUND SLIDE BASE
457	P9249457	COMPOUND SLIDE
458	P9249458	GIB SCREW M5-.8 X 15
459	PRP78M	ROLL PIN 4 X 10
460	P9249460	TOOL POST SHAFT M20-2.5 X 100
461	P9249461	T-SLIDE 3 X 6
462	P9249462	COMPRESSION SPRING .8 X 5 X 1.5
463	P9249463	LOCK PIN
464	P9249464	4-WAY TOOL POST
465	P9249465	TOOL POST SCREW M6-1 X 4
466	PW23M	FLAT WASHER 30MM
467	P9249467	HANDLE HUB
468	P9249468	HANDLE
469	P9249469	SADDLE GIB



Tailstock

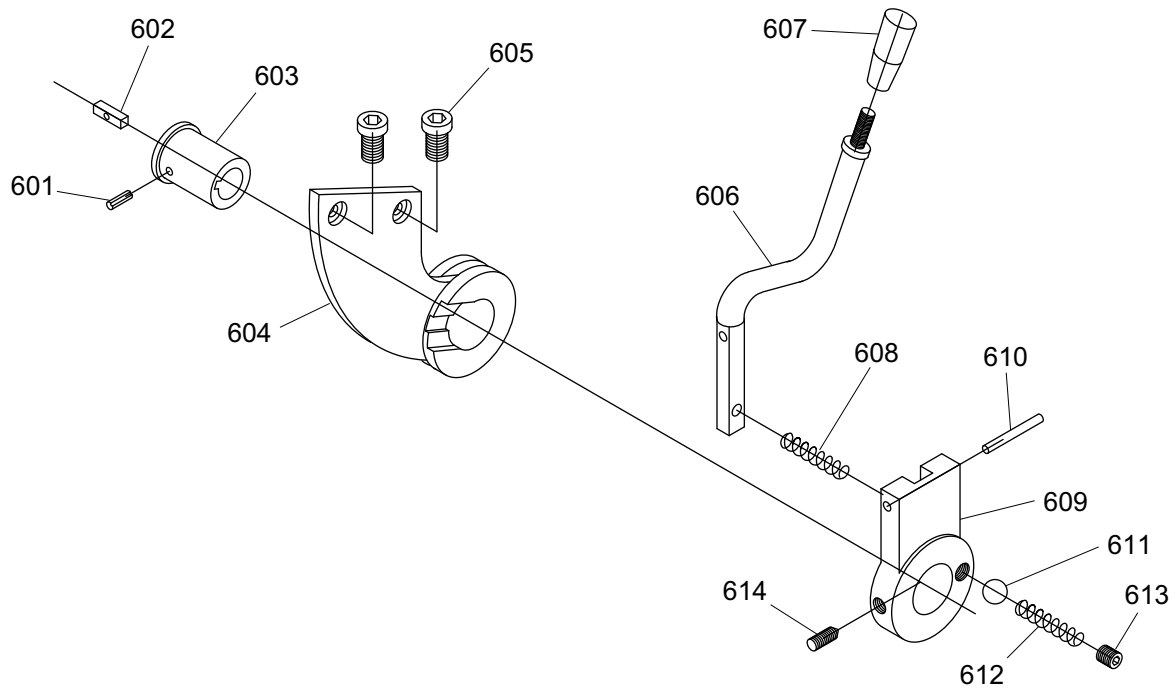


REF	PART #	DESCRIPTION
502	P9249502	TAILSTOCK QUILL
503	P9249503	T-KEY
504	P9249504	LEADSCREW NUT M15
505	PSS01M	SET SCREW M6-1 X 10
506	P9249506	KNOB M10-1.5 X 50
507	P9249507	LEVER
508	P9249508	CLAMPING SHAFT
509	P9249509	KNOB M6-1 X 20
510	P9249510	LEVER
511	P9249511	CLAMPING SHAFT
512	PSS84M	SET SCREW M10-1.5 X 40
513	P9249513	SPECIAL SCREW
514	P9249514	BALL OILER
515	P9249515	TAILSTOCK CASTING
516	PRP49M	ROLL PIN 5 X 25
517	P9249517	ECCENTRIC AXLE
518	P9249518	BUSHING
519	P9249519	CLAMPING BOLT M12-1.75 X 100

REF	PART #	DESCRIPTION
520	P9249520	CLAMPING BLOCK
521	PW06M	FLAT WASHER 12MM
522	PN09M	HEX NUT M12-1.75
523	P9249523	TAILSTOCK LEADSCREW
524	PRP35M	ROLL PIN 5 X 10
525	P9249525	LEADSCREW BRACKET
526	PSB01M	CAP SCREW M6-1 X 16
527	P9249527	GRADUATED COLLAR
528	P9249528	QUILL HANDWHEEL
529	P9249529	HANDLE M8-1.25 X 63
530	PW04M	FLAT WASHER 10MM
531	PLN05M	LOCK NUT M10-1.5
532	P9249532	COMPRESSON SPRING .8 X 10 X 1.5
533	P9249279	STEEL BALL 6MM
534	P9249534	BRACKET
535	P9249535	SPECIAL SCREW M6-1 X 12
536	P9249536	CLAMP BLOCK
537	P9249537	TAILSTOCK BASE



Spindle Lever

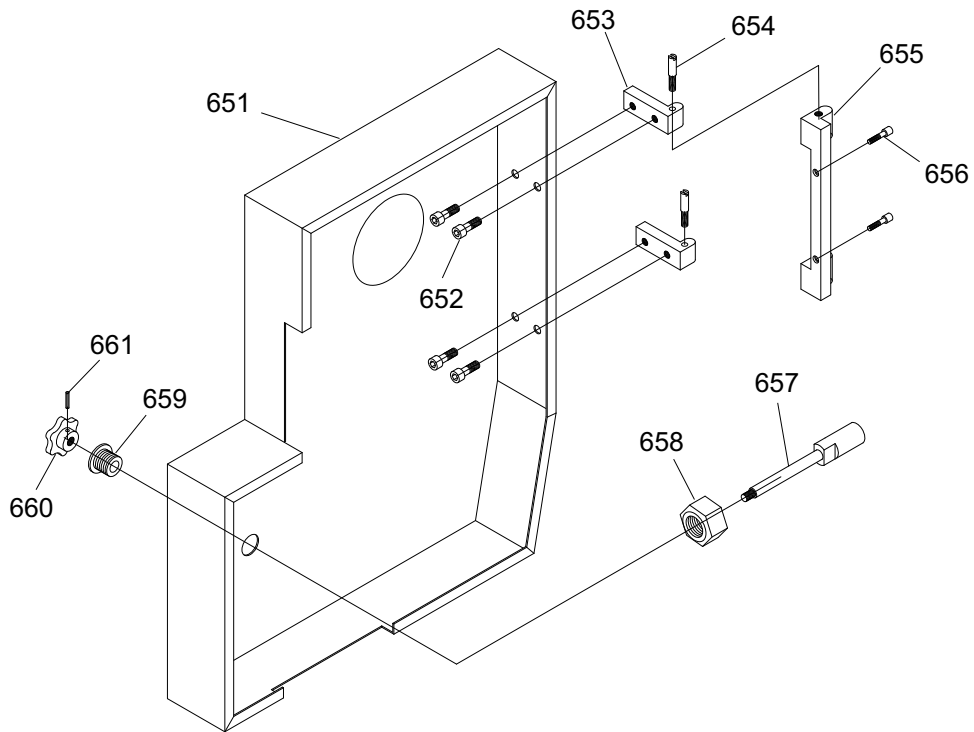


REF	PART #	DESCRIPTION
601	PRP14M	ROLL PIN 3 X 6
602	PK14M	KEY 5 X 5 X 18
603	P9249603	BUSHING
604	P9249604	LEVER BRACKET
605	PSB26M	CAP SCREW M6-1 X 12
606	P9249606	HANDLE
607	P9249607	KNOB M10 X 50

REF	PART #	DESCRIPTION
608	P9249608	COMPRESSION SPRING 1 X 6 X 22
609	P9249609	COVER
610	PRP45M	ROLL PIN 5 X 32
611	P9249279	STEEL BALL 6MM
612	P9249612	COMPRESSION SPRING 1 X 6 X 9
613	PSS16M	SET SCREW M8-1.25 X 10
614	P9249614	TAPERED SET SCREW M8-1.25 X 12



Change Gear Cover

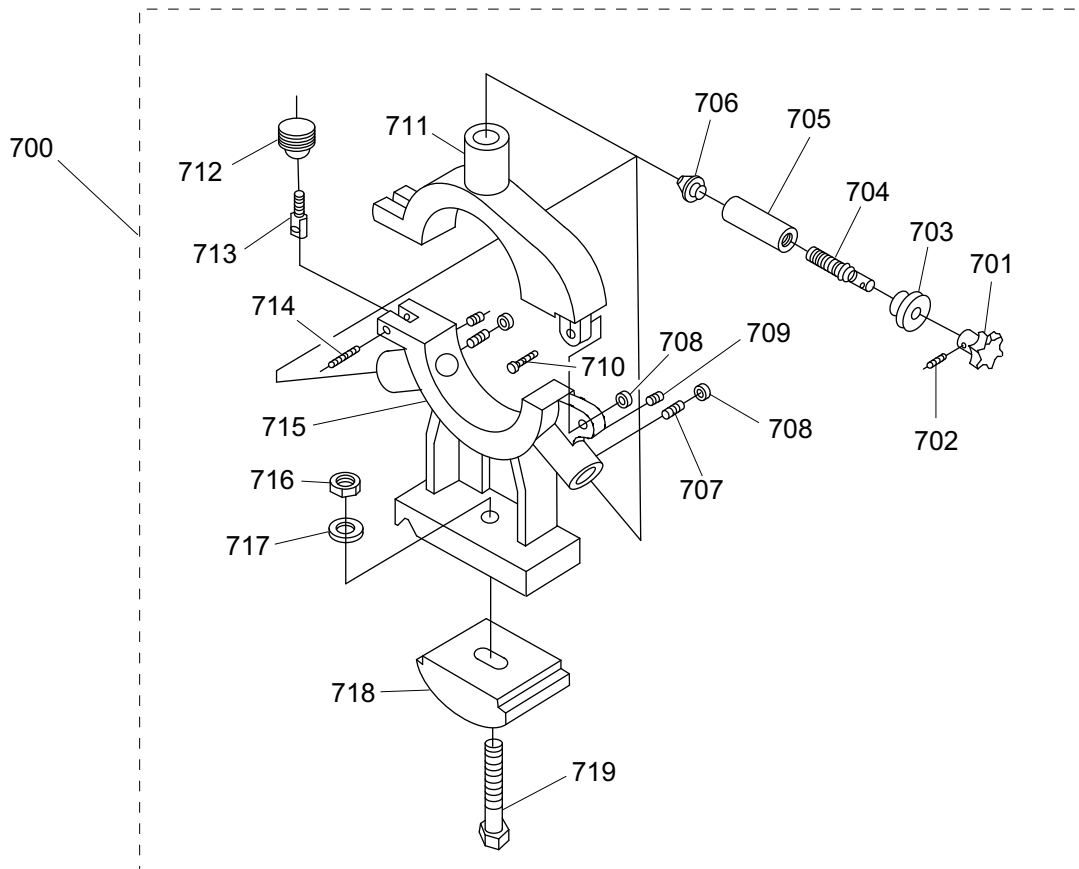


REF	PART #	DESCRIPTION
651	PSB26M	CHANGE GEAR COVER
652	PSB01M	CAP SCREW M6-1 X 16
653	P9249653	HINGE
654	P9249654	HINGE SCREW M6 X 10
655	P9249655	BRACKET
656	PSB01M	CAP SCREW M6-1 X 16

REF	PART #	DESCRIPTION
657	P9249657	LOCKING ROD
658	PN13M	HEX NUT M16-2
659	P9249659	THREADED SLEEVE
660	P9249660	KNOB M8 X 32
661	PRP02M	ROLL PIN 3 X 16



Steady Rest

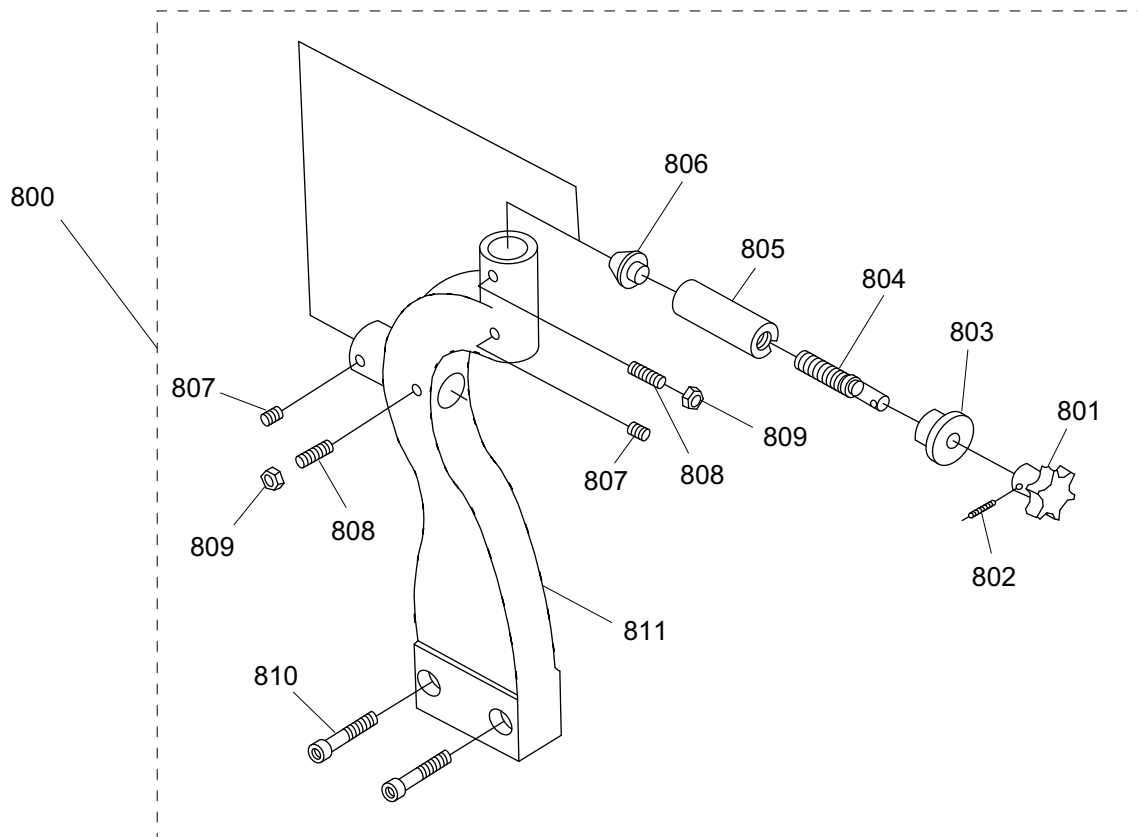


REF	PART #	DESCRIPTION
700	P9249700	COMPLETE STEADY REST
701	P9249701	STAR HANDLE M8-1.25 X 30
702	PRP02M	ROLL PIN 3 X 16
703	P9249703	COLLAR
704	P9249704	ADJUSTING SCREW M8-1.25 X 40
705	P9249705	BUSHING
706	P9249706	CLAMPING BLOCK
707	PSS11M	SET SCREW M6-1 X 16
708	PN01M	HEX NUT M6-1
709	PSS03M	SET SCREW M6-1 X 8

REF	PART #	DESCRIPTION
710	PB10M	HEX BOLT M6-1 X 25
711	P9249711	STEADY REST COVER
712	P9249712	KNOB
713	P9249713	LEVER
714	PRP05M	ROLL PIN 5 X 30
715	P9249715	STEADY REST BASE
716	PN09M	HEX NUT M12-1.75
717	PW06M	FLAT WASHER 12MM
718	P9249718	CLAMP PLATE
719	PB140M	HEX BOLT M12-1.75 X 70



Follow Rest

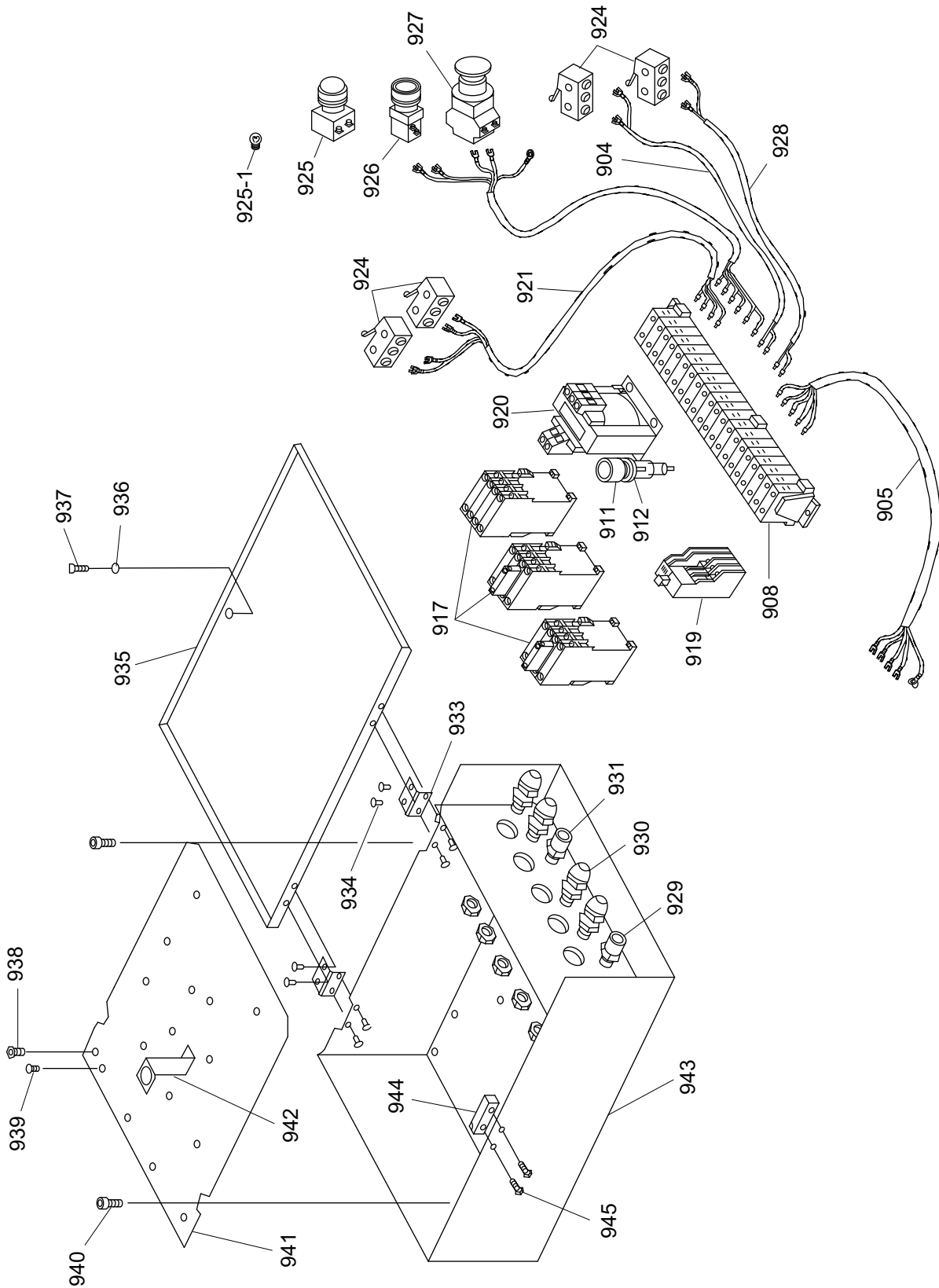


REF	PART #	DESCRIPTION
800	P9249800	COMPLETE FOLLOW REST
801	P9249801	STAR HANDLE M8-1.25 X 30
802	PRP02M	ROLL PIN 3 X 16
803	P9249803	COLLAR
804	P9249704	ADJUSTING SCREW M8 X 40
805	P9249805	BUSHING

REF	PART #	DESCRIPTION
806	P9249806	CLAMPING BLOCK
807	PSS03M	SET SCREW M6-1 X 8
808	PSS11M	SET SCREW M6-1 X 16
809	PN01M	HEX NUT M6-1
810	PSB40M	CAP SCREW M8-1.25 X 35
811	P9249811	FOLLOW REST BASE



Electrical Cabinet



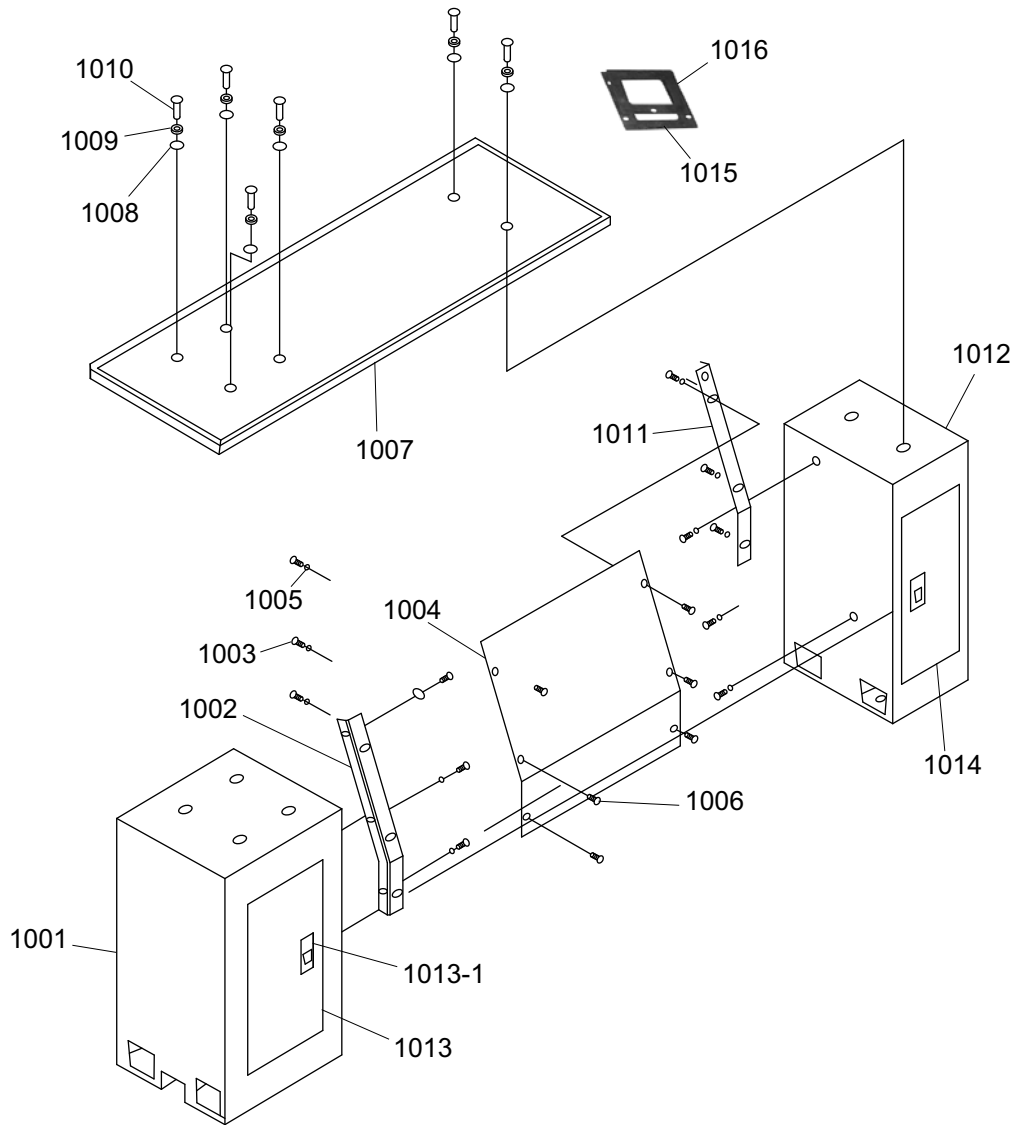
Electrical Cabinet Parts List

REF	PART #	DESCRIPTION
904	P9249904	CHIP GUARD SAFETY SWITCH CABLE
905	P9249905	MOTOR CABLE
908	P9249908	TERMINAL BLOCK 19T
911	P9249911	FUSE HOLDER
912	P9249912	FUSE 2A
917	P9249917	CONTACTOR JUCHE CJX2-1201 220V
919	P9249919	OL RELAY JUCHE JR28-25 1/10A
920	P9249920	TRANSFORMER JUCHE JBK5-63 24V
921	P9249921	SPINDLE DIRECTION CABLE
924	P9249924	MICRO SWITCH
925	P9249925	POWER LAMP
925-1	P9249925-1	POWER LAMP BULB
926	P9249926	JOG BUTTON
927	P9249927	EMERGENCY STOP SWITCH
928	P9249928	SAFETY SWITCH CABLE
929	P9249929	STRAIN RELIEF 5/8"

REF	PART #	DESCRIPTION
930	P9249930	STRAIN RELIEF 3/4"
931	P9249931	STRAIN RELIEF 7/8"
933	P9249933	HINGE
934	P9249934	RIVET 3 X 8
935	P9249935	DOOR
936	PN04M	HEX NUT M4-.7
937	PS18M	PHLP HD SCR M4-.7 X 25
938	PS07M	PHLP HD SCR M4-.7 X 8
939	PS02M	PHLP HD SCR M4-.7 X 12
940	PSB58M	CAP SCREW M8-1.25 X 12
941	P9249941	ELECTRICAL PANEL
942	P9249942	FUSE SUPPORT
943	P9249943	ELECTRICAL BOX
944	P9249944	LATCH BLOCK
945	PS07M	PHLP HD SCR M4-.7 X 8



Cabinet Stand

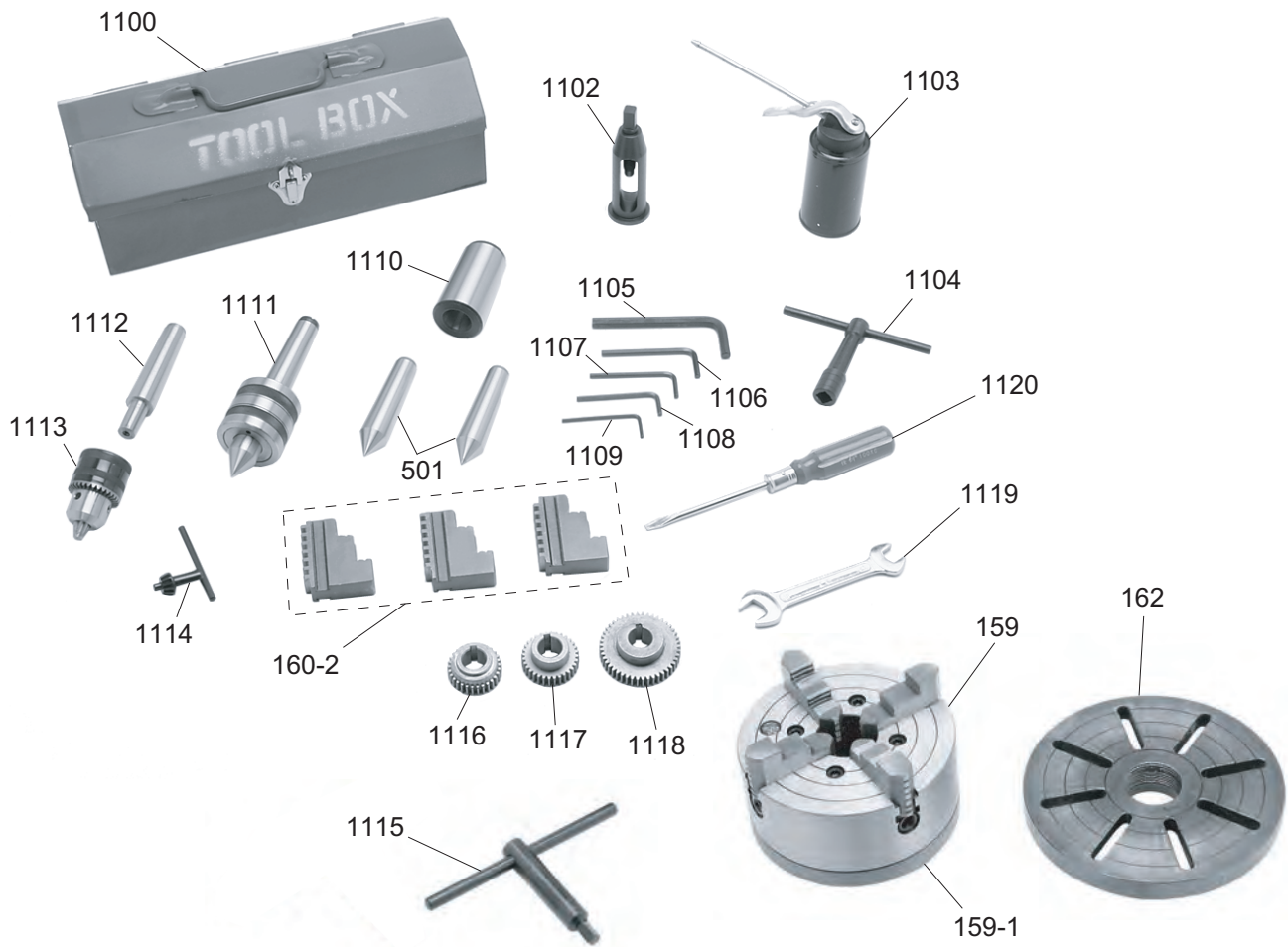


REF	PART #	DESCRIPTION
1001	P92491001	CABINET LEFT
1002	P92491002	CENTER PANEL BRACKET LEFT
1003	PS68M	PHLP HD SCR M6-1 X 10
1004	P92491004	CENTER PANEL
1005	PW03M	FLAT WASHER 6MM
1006	PS68M	PHLP HD SCR M6-1 X 10
1007	P92491007	CHIP PAN
1008	PW06M	FLAT WASHER 12MM
1009	PLW05M	LOCK WASHER 12MM

REF	PART #	DESCRIPTION
1010	PB33M	HEX BOLT M12-1.75 X 50
1011	P92491011	CENTER PANEL BRACKET RIGHT
1012	P92491012	CABINET RIGHT
1013	P92491013	CABINET DOOR LEFT
1013-1	P92491013-1	DOOR LATCH
1014	P92491014	CABINET DOOR RIGHT
1015	P92491015	CHIP PAN RUBBER GASKET LEFT
1016	P92491016	CHIP PAN RUBBER GASKET RIGHT



Accessories

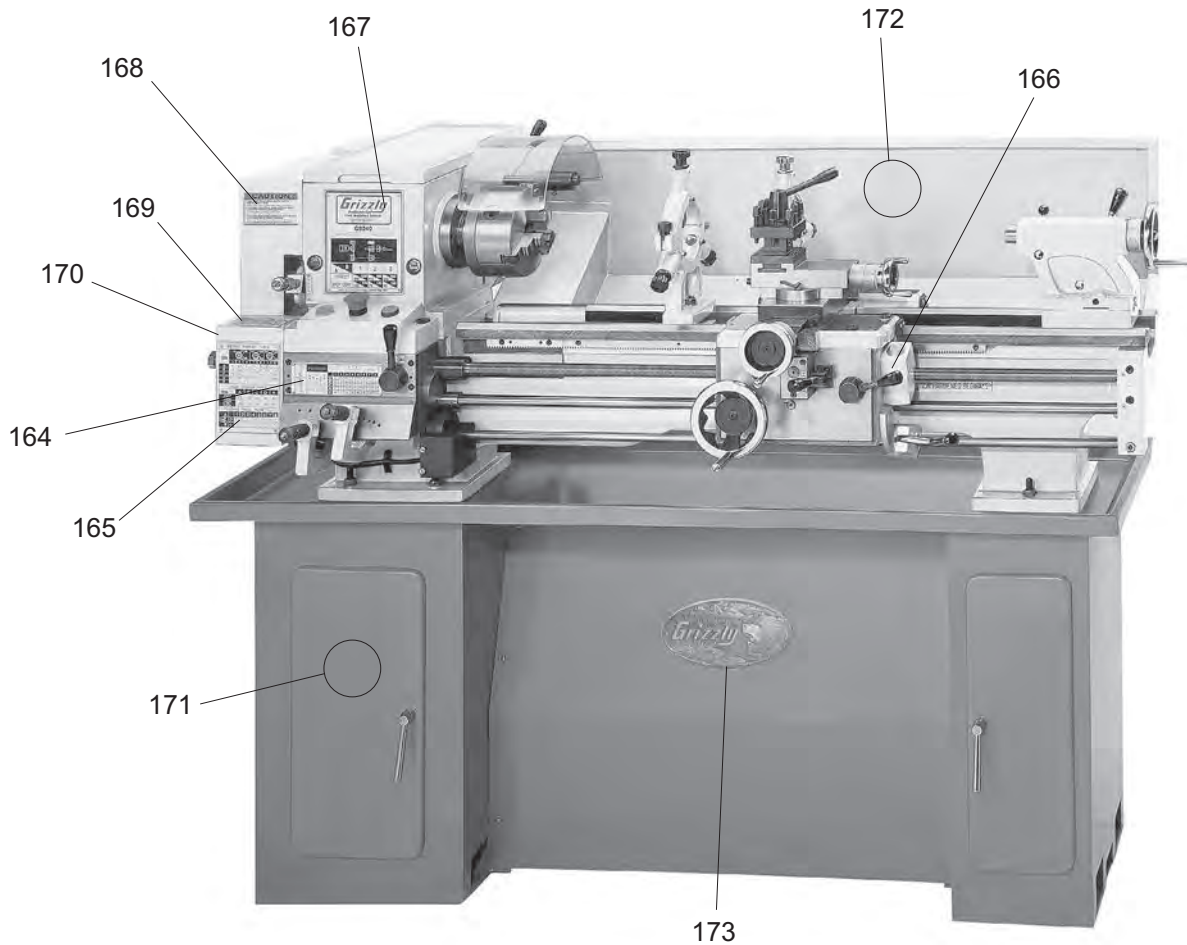


REF	PART #	DESCRIPTION
159	P9249159	4-JAW CHUCK 8"
159-1	P9249159-1	4-JAW CHUCK BACKPLATE
160-2	P9249160-2	3-JAW CHUCK OUTSIDE JAW SET
162	P9249162	FACEPLATE 12"
501	P9249501	DEAD CENTER MT#3
1100	P92491100	TOOL BOX
1102	P92491102	TOOL POST AMERICAN ROCKER TYPE
1103	P92491103	OIL CAN
1104	P92491104	4-WAY TOOL POST KEY
1105	PAW08M	HEX WRENCH 8MM
1106	PAW06M	HEX WRENCH 6MM
1107	PAW05M	HEX WRENCH 5MM
1108	PAW04M	HEX WRENCH 4MM

REF	PART #	DESCRIPTION
1109	PAW03M	HEX WRENCH 3MM
1110	P92491110	SPINDLE SLEEVE MT#3-MT#5
1111	P92491111	LIVE CENTER MT#3
1112	P92491112	DRILL CHUCK ARBOR MT#3-B16
1113	P92491113	DRILL CHUCK B16
1114	P92491114	DRILL CHUCK KEY
1115	P92491115	CHUCK KEY
1116	P92491116	CHANGE GEAR 30T
1117	P92491117	CHANGE GEAR 32T
1118	P92491118	CHANGE GEAR 46T
1119	P92491119	OPEN END WRENCH 13/16MM
1120	P92491120	STANDARD SCREWDRIVER #2



Label Placement



REF	PART #	DESCRIPTION
164	P9249164	GEARBOX CHART LABEL
165	P9249165	THREADING CHART LABEL
166	P9249166	THREADING DIAL CHART LABEL
167	P9249167	SPINDLE SPEED CHART LABEL
168	P9249168	GENERAL WARNING LABEL

REF	PART #	DESCRIPTION
169	P9249169	CHANGE GEAR LABEL
170	P9249170	MACHINE ID LABEL
171	PPAINT-1	GRIZZLY GREEN TOUCH UP PAINT
172	PPAINT-11	GREY PUTTY TOUCH UP PAINT
173	G8588	GRIZZLY NAMEPLATE 9-1/2 X 4-1/5

WARNING

Safety labels warn about machine hazards and ways to prevent injury. The owner of this machine **MUST** maintain the original location and readability of the labels on the machine. If any label is removed or becomes unreadable, **REPLACE** that label before using the machine again. Contact Grizzly at (800) 523-4777 or www.grizzly.com to order new labels.

