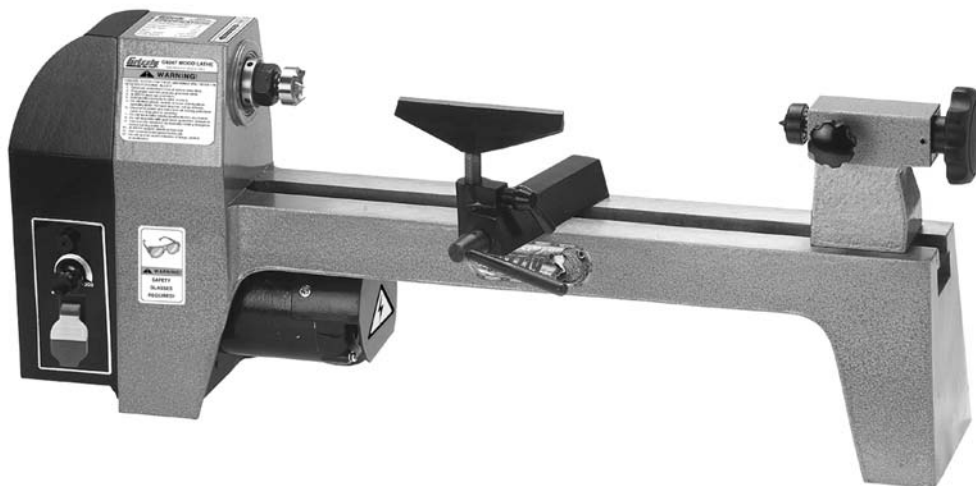


# *Grizzly* **Industrial, Inc.** ®

## MINI WOOD LATHE MODEL G9247 PARTS LIST



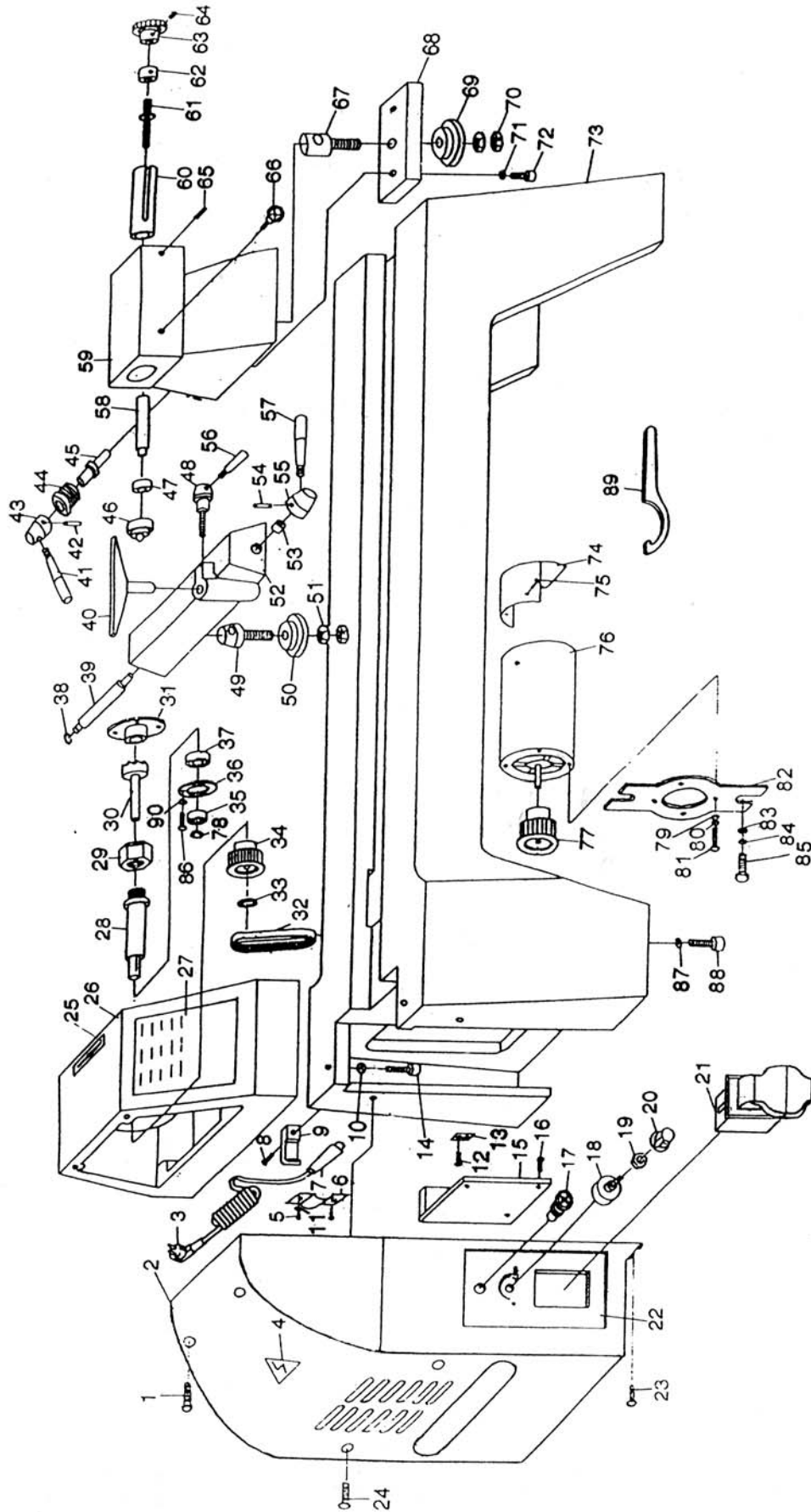
COPYRIGHT ©2000 BY GRIZZLY INDUSTRIAL, INC.  
1821 VALENCIA ST., BELLINGHAM, WA 98227

**WARNING: NO PORTION OF THIS MANUAL MAY BE REPRODUCED IN ANY SHAPE  
OR FORM WITHOUT THE WRITTEN APPROVAL OF GRIZZLY INDUSTRIAL, INC.**

MARCH, 2000 PRINTED IN CHINA

### **PARTS LIST DISCLAIMER**

THIS PARTS LIST AND DRAWINGS REPRESENT THE CONFIGURATION OF THE MACHINE AS IT IS CURRENTLY BEING SHIPPED. THE MACHINE CONFIGURATION CAN CHANGE AS PRODUCT IMPROVEMENTS ARE INCORPORATED. IF YOU OWN AN EARLIER VERSION OF THE MACHINE, THIS PARTS LIST MAY NOT DEPICT YOUR MACHINE EXACTLY. CONTACT CUSTOMER SERVICE IF YOU HAVE ANY QUESTIONS ABOUT PART DIFFERENCES. PREVIOUS PARTS LIST VERSIONS ARE NOT AVAILABLE ONLINE.



## LIST OF PARTS

No	Name/Specification	Quantity	No	Name/Specification	Quantity
1	Screw M5*20	2	26	Headstock Casting	1
2	Cover	1	27	Name Plate	1
3	Power Cord	1	28	Spindle	1
4	Electrical Mark	1	29	Hexagon Nut 3/4"-16	1
5	Screw M5*10	2	30	Spur Center	1
6	Press Plate	1	31	Faceplate 2"	1
7	Rubber Sheath	1	32	Timing Belt	1
8	Screw M5*12	1	33	External Retaining Ring 12	1
9	Cable Clamp	1	34	Spindle Pulley	1
10	Spring Lock Washer 6	2	35	Ball Bearing 80202	1
11	Spring Lock Washer 5	2	36	Bearing Cover	1
12	Screw M5*12	1	37	Ball Bearing 80204	1
13	Grounding Mark	1	38	External Retaining Ring 8	1
14	Hexagon Head Screw M6*20	2	39	Eccentric Shift	1
15	Electronic Circuit	1	40	Tool Rest	1
16	Drillself Screw M3*10	3	41	Handle	1
17	Fuse	1	42	Pin 4	1
18	Potential Device	1	43	Handle Base	1
19	Nut	1	44	Cam Retaining Nut	1
20	Turning Knob	1	45	Cam Shift	1
21	Power Switch	1	46	Cup Center	1
22	Control Label	1	47	Ball Bearing 80028	1
23	Screw M5*12	2	48	Tool Rest Screw	1
24	Screw M5*20	2	49	Screw	1
25	Direction Label	1	50	Washer	1

## LIST OF PARTS

No	Name/Specification	Quantity	No	Name/Specification	Quantity
51	Nut M8	2	76	Motor	1
52	Tool Rest Holder	1	77	Motor Pulley	1
53	Bush	1	78	External Retaining Ring 15	1
54	Pin 4	1	79	Washer 4	4
55	Handle Base	1	80	Spring Lock Washer 4	4
56	Handle	1	81	Screw M4*35	4
57	Handle	1	82	Fixing Plate	1
58	Taper Shift	1	83	Washer 6	2
59	Tailstock Casting	1	84	Spring Lock Washer 6	2
60	Taper Case	1	85	Hexagon Head Screw M6*12	2
61	Guide Screw	1	86	Screw M6*25	3
62	Cicle	1	87	Spring Lock Washer 6	2
63	Hand Wheel	1	88	Hexagon Head Screw M6*45	1
64	Socket Set Screw M6*8	1	89	Special Wrench	1
65	Socket Set Screw M6*8	1	90	Spring Lock Washer 6	3
66	Star Knob	1			
67	Cam Follower	1			
68	Guide Plate	1			
69	Washer	1			
70	Nut M8	2			
71	Spring Lock Washer 6	2			
72	Hexagon Head Screw M6*16	2			
73	Bed Casting	1			
74	Motor Cover	1			
75	Screw M5*8	2			