

**Grizzly**  
**Industrial, Inc.**®



# 12 $\frac{1}{2}$ " PORTABLE PLANER

## MODEL G8794

## PARTS LIST



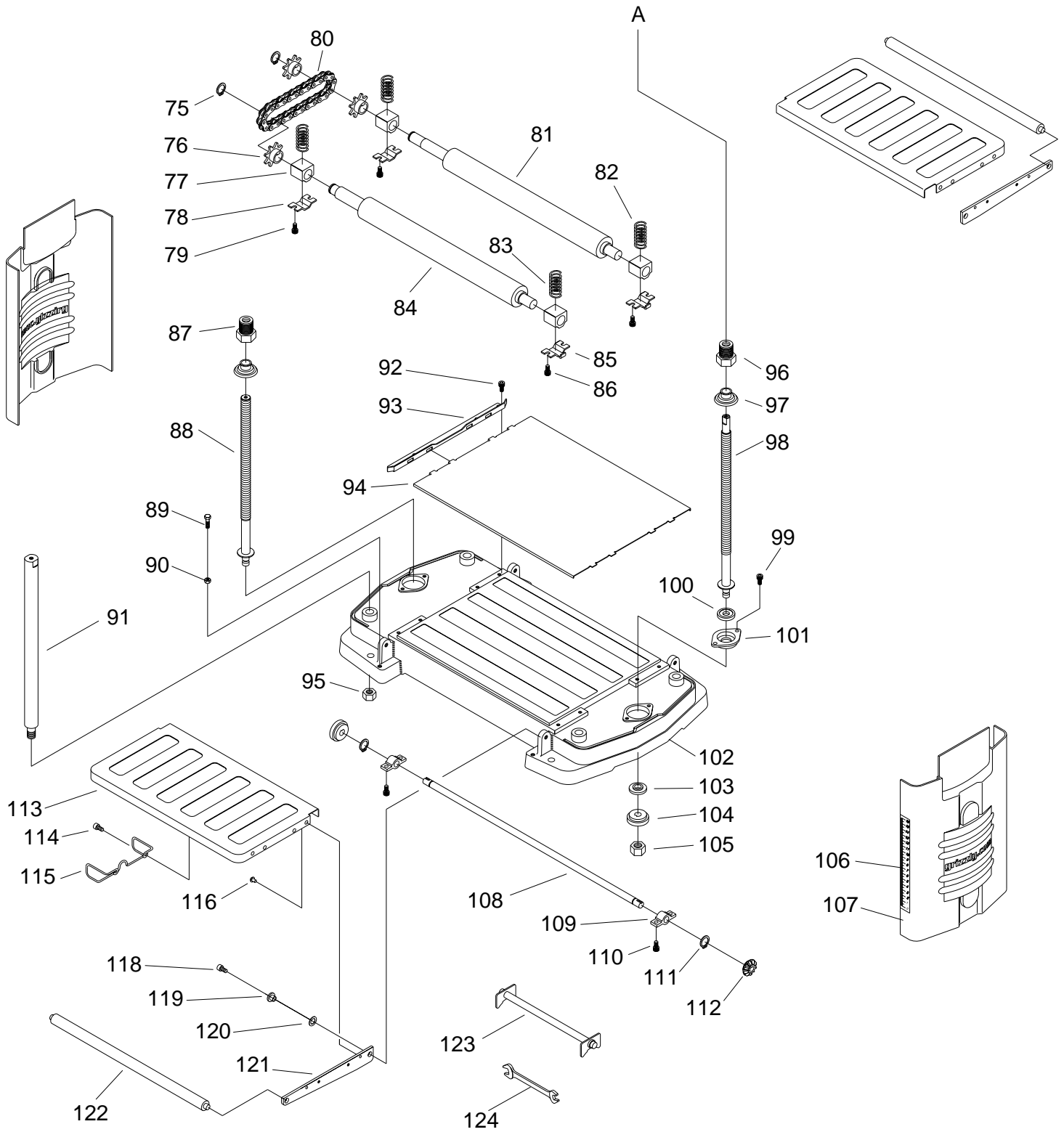
COPYRIGHT ©2000 BY GRIZZLY INDUSTRIAL, INC.

**WARNING: NO PORTION OF THIS MANUAL MAY BE REPRODUCED IN ANY SHAPE OR FORM WITHOUT THE WRITTEN APPROVAL OF GRIZZLY INDUSTRIAL, INC.**

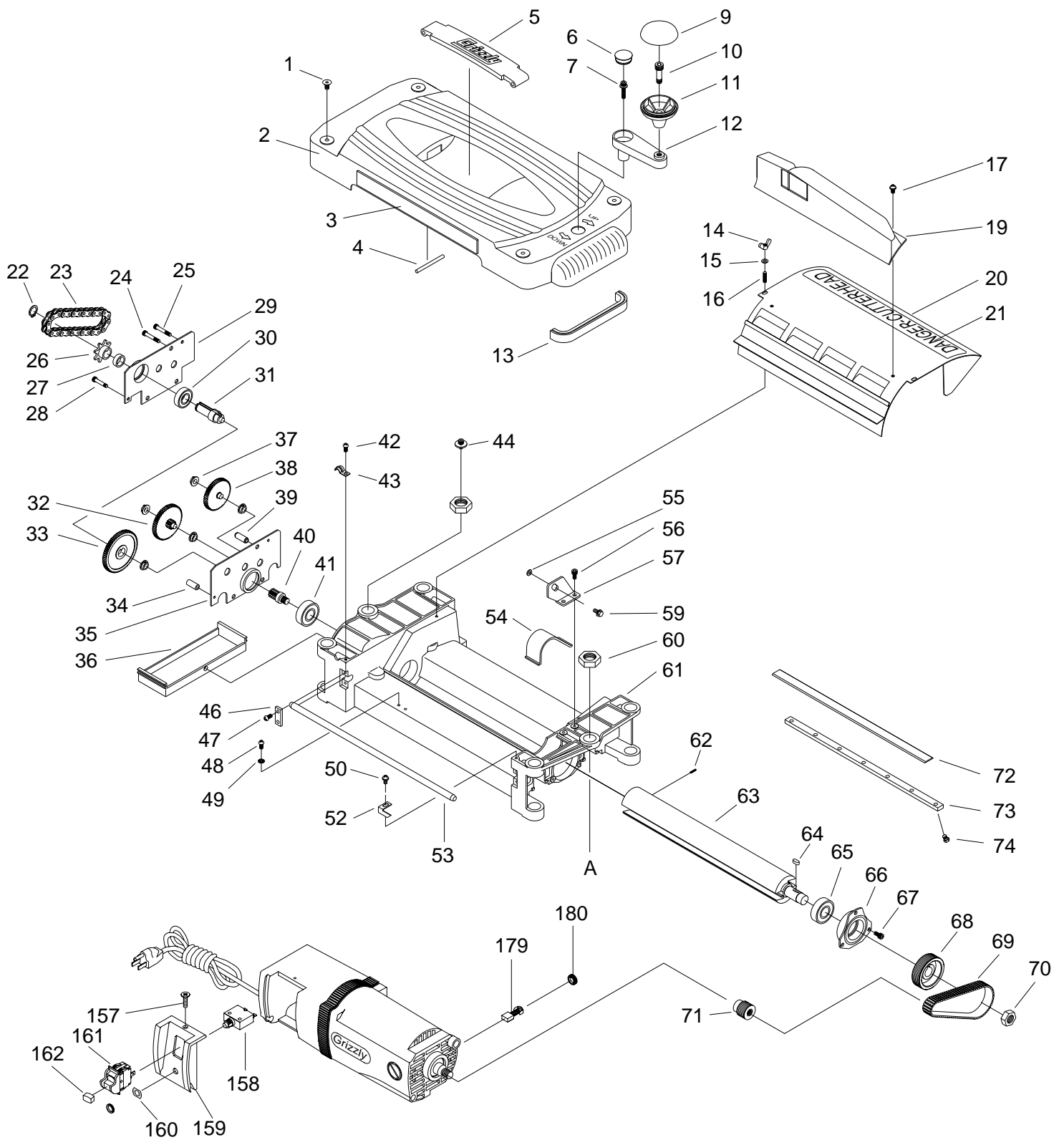
APRIL, 2000 PRINTED IN TAIWAN

#### PARTS LIST DISCLAIMER

THIS PARTS LIST AND DRAWINGS REPRESENT THE CONFIGURATION OF THE MACHINE AS IT IS CURRENTLY BEING SHIPPED. THE MACHINE CONFIGURATION CAN CHANGE AS PRODUCT IMPROVEMENTS ARE INCORPORATED. IF YOU OWN AN EARLIER VERSION OF THE MACHINE, THIS PARTS LIST MAY NOT DEPICT YOUR MACHINE EXACTLY. CONTACT CUSTOMER SERVICE IF YOU HAVE ANY QUESTIONS ABOUT PART DIFFERENCES. PREVIOUS PARTS LIST VERSIONS ARE NOT AVAILABLE ONLINE.



G8794 12½" Portable Planer



Ref#	Part#	Description
001	P8794001	FLAT HD SCR M6XP1.0X16L
002	P8794002	TOP COVER
003	P8794003	WARNING LABEL
004	P8794004	DOWEL PIN
005	P8794005	HANDLE
006	P8794006	CAP
007	P8794007	FLANGE BOLT M5-.8 X 25MM
009	P8794009	HANDLE CAP
010	P8794010	HANDLE BOLT M8 (SPECIAL)
011	P8794011	HANDLE BASE
012	P8794012	HANDLE, CRANK
013	P8794013	PROTECTIVE STRIP
014	P8794014	WING NUT M5-.8
015	PW02M	FLAT WASHER M5
016	PSB24M	CAP SCREW M5-.8 X 16
017	PS08M	PHLP HD SCR M5-.8 X 12 .
018	PW02M	FLAT WASHER M5
019	P8794019	AIR MANIFOLD
020	P8794020	DUST CHUTE
021	P8794021	WARNING LABEL
022	P8794022	C-EXT RET RING STW15
023	P8794023	CHAIN #410-26
024	P8794024	CAP SCREW M5-.8 X 35MM
025	P8794025	CAP SCREW M5-.8 X 27MM
026	P8794026	SPROCKET
027	P8794027	SPACER
028	P8794028	CAP SCREW M5-.8 X 30MM
029	P8794029	OUTSIDE COVER
030	P6002	BALL BEARING 6002
031	P8794031	SHAFT
032	P8794032	GEAR (INTERMEDIATE) 58T+12T
033	P8794033	GEAR (LARGE) 70T
034	P8794034	SPACER
035	P8794035	INSIDE COVER
036	P8794036	COVER
037	P8794037	BUSHING
038	P8794038	GEAR (SMALL) 52T+12T
039	P8794039	SPACER UNDERCUT
040	P8794040	PINION GEAR
041	6203	BALL BEARING 6203
042	P8794042	PAN HD SCR M5-.8 X 12MM
043	P8794043	CABLE CLAMP
044	P8794044	FLANGE BOLT M6-1.0 X 10MM
046	P8794046	PLATE
047	P8794047	PAN HD SCR M5-.8 X 12MM
048	P8794048	PAN HD SCR M5-.8 X 8MM
049	P8794049	EXT TOOTH WASHER M5
050	P8794050	FLANGE BOLT M5-.8 X 12MM

Ref#	Part#	Description
052	P8794052	POINTER
053	P8794053	MOTOR PIVOT ROD
054	P8794054	BELT GUARD
055	PW01M	FLAT WASHER 8MM
056	P8794056	HEX SOC HD SCR M5XP0.8X12L
057	P8794057	BRACKET
059	P8794059	FLANGE BOLT M8-1.25 X 16MM
060	P8794060	HEX LOW NUT M20-1.0
061	P8794061	UPPER FRAME
062	P8794062	SPRING 0.4 X 4 X 10MM
063	P8794063	CUTTERHEAD
064	P8794064	KEY 5 X 12MM
065	P6203	BALL BEARING 6203
066	P8794066	BEARING RETAINER
067	PSB33M	CAP SCREW M5-.8 X 12
068	P8794068	CUTTERHEAD PULLEY
069	P8794069	BELT 135J
070	P8794070	HEX NUT M16 X 22
071	P8794071	MOTOR PULLEY
072	P8794072	KNIVES
073	P8794073	KNIFE LOCK BAR
074	P8794074	KNIFE LOCK SCREW
075	P8794075	C-EXT RET RING STW15
076	P8794076	SPROCKET
077	P8794077	BEARING BLOCK
078	P8794078	RETAINER(L.H.)
079	P8794079	HEX SOC HD SCR M5XP0.8X12L
080	P8794080	CHAIN #410-26
081	P8794081	OUTFEED ROLLER
082	P8794082	SPRING (OUTFEED) 2.2X18X36.5L
083	P8794083	SPRING (INFEED) 2.2X18X29L
084	P8794084	INFEED ROLLER
085	P8794085	RETAINER(R.H.)
086	PSB33M	CAP SCREW M5-.8 X 12MM
087	P8794087	ELEVATING NUT (L.H.)
088	P8794088	SPINDLE (L.H.)
089	PB08M	HEX BOLT M6-1 X 20MM
090	PN01M	HEX NUT M6-1.0
091	P8794091	POST
092	PSB33M	CAP SCREW M5-.8 X 12
093	P8794093	GUIDE
094	P8794094	PLATEN
095	PN09M	HEX NUT M12-1.75
096	P8794096	ELEVATING NUT (R.H.)
097	P8794097	BOOT
098	P8794098	SPINDLE (R.H.)
099	PSB33M	CAP SCREW M5-.8 X 12
100	P8794100	THRUST BEARING

Ref#	Part#	Description
101	P8794101	RETAINER
102	P8794102	BASE
103	P8794103	THRUST BEARING
104	P8794104	GEAR
105	PN08M	HEX NUT M10-1.25
106	P8794106	SCALE
107	P8794107	SIDE COVER
108	P8794108	SHAFT
109	P8794109	SUPPORT
110	PSB33M	CAP SCREW M5-.8 X 12MM
111	P8794111	C- EXT RET RING STW10
112	P8794112	GEAR
113	P8794113	INFEED/OUTFEED TABLE
114	P8794114	CHEESE HD SCR M4-0.7 X 8MM
115	P8794115	CORD WRAP
116	P8794116	CHEESE HD SCR M4-0.7 X 6MM
118	P8794118	CHEESE HD SCR M6-1.0 X 16MM
119	P8794119	TABLE BUSHING
120	P8794120	SPRING WASHER
121	P8794121	TABLE SUPPORT
122	P8794122	ROLLER
123	P8794123	KNIFE GAGE
124	PWR810	8 X 10 WRENCH
157	P8794157	SCREW
158	P8794158	RESET SWITCH
159	P8794159	SWITCH MOUNTING PLATE
160	P8794160	PLATE, RESET SWITCH
161	P8794161	TOGGLE SWITCH
162	P8794162	SWITCH LOCK
179	P8794179	MOTOR BRUSH
180	P8794180	BRUSH CAP