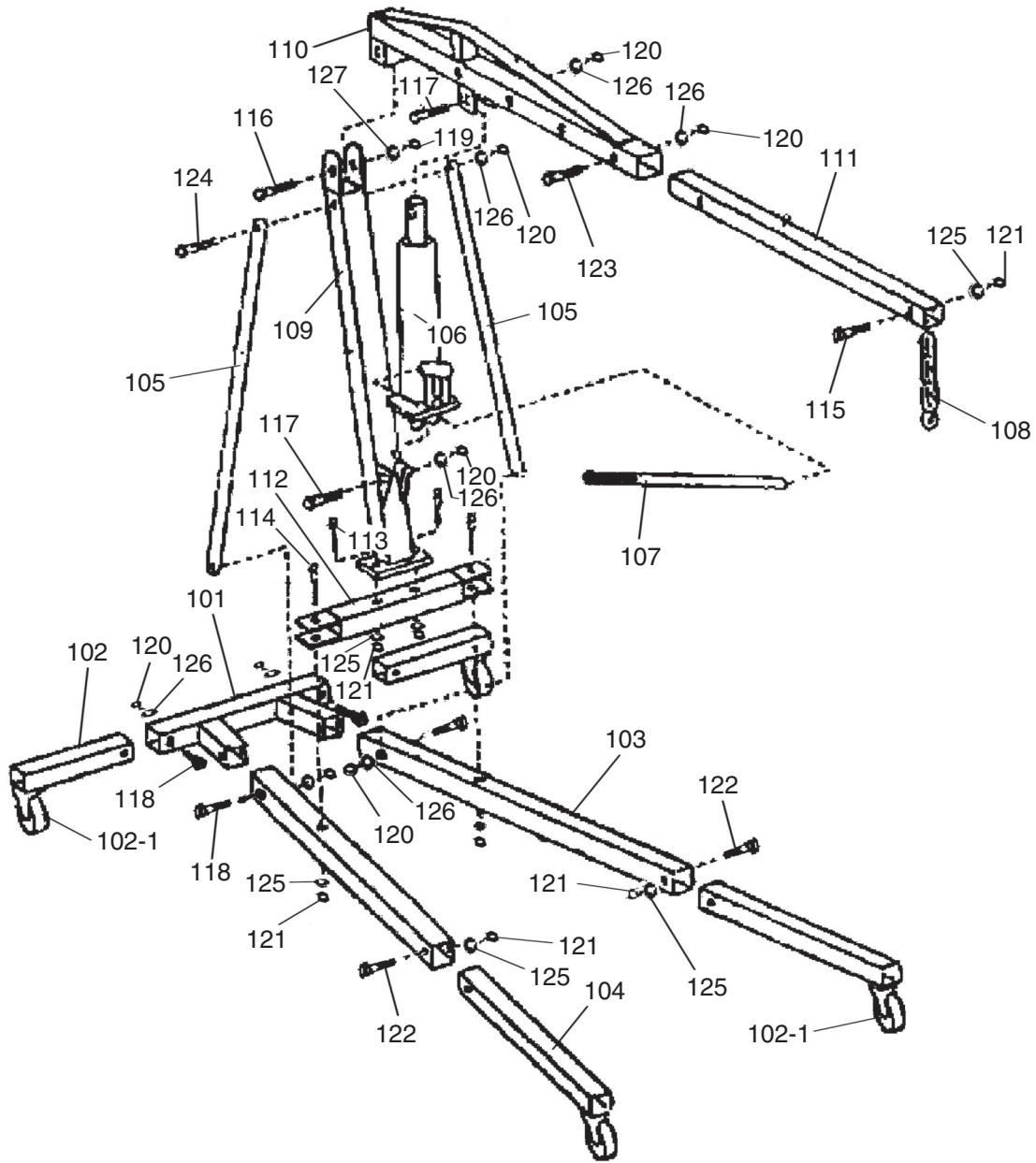


# Engine Crane Breakdown (G8713)



REF	PART #	DESCRIPTION
101	P8713101	REAR SUPPORT
102	P8713102	REAR LEG W/SWIVEL CASTER
102-1	P8713102-1	SWIVEL CASTER
103	P8713103	INTERMEDIATE LEG
104	P8713104	FRONT LEG EXTENSION W/CASTER
105	P8713105	SUPPORT STRAP
106	P8713106	8 TON HYDRAULIC RAM
107	P8713107	PUMP HANDLE
108	P8712008	HOOK & CHAIN ASSEMBLY
109	P8713109	MAIN SUPPORT POST
110	P8713110	BOOM
111	P8713111	BOOM EXTENSION
112	P8713112	EXTENSION SUPPORT
113	PB100M	HEX BOLT M14-2 X 100

REF	PART #	DESCRIPTION
114	PB174M	HEX BOLT M14-2 X 120
115	PB98M	HEX BOLT M14-2 X 80
116	PB176M	HEX BOLT M20-2.5 X 120
117	PB133M	HEX BOLT M16-2 X 90
118	PB138M	HEX BOLT M16-2 X 100
119	PN17M	HEX NUT M20-1.5
120	PN13M	HEX NUT M16-2
121	PN32M	HEX NUT M14-2
122	PB98M	HEX BOLT M14-2 X 80
123	PB133M	HEX BOLT M16-2 X 90
124	PB175M	HEX BOLT M16-2 X 110
125	PW10M	FLAT WASHER 14MM
126	PW08M	FLAT WASHER 16MM
127	PW13M	FLAT WASHER 20MM

