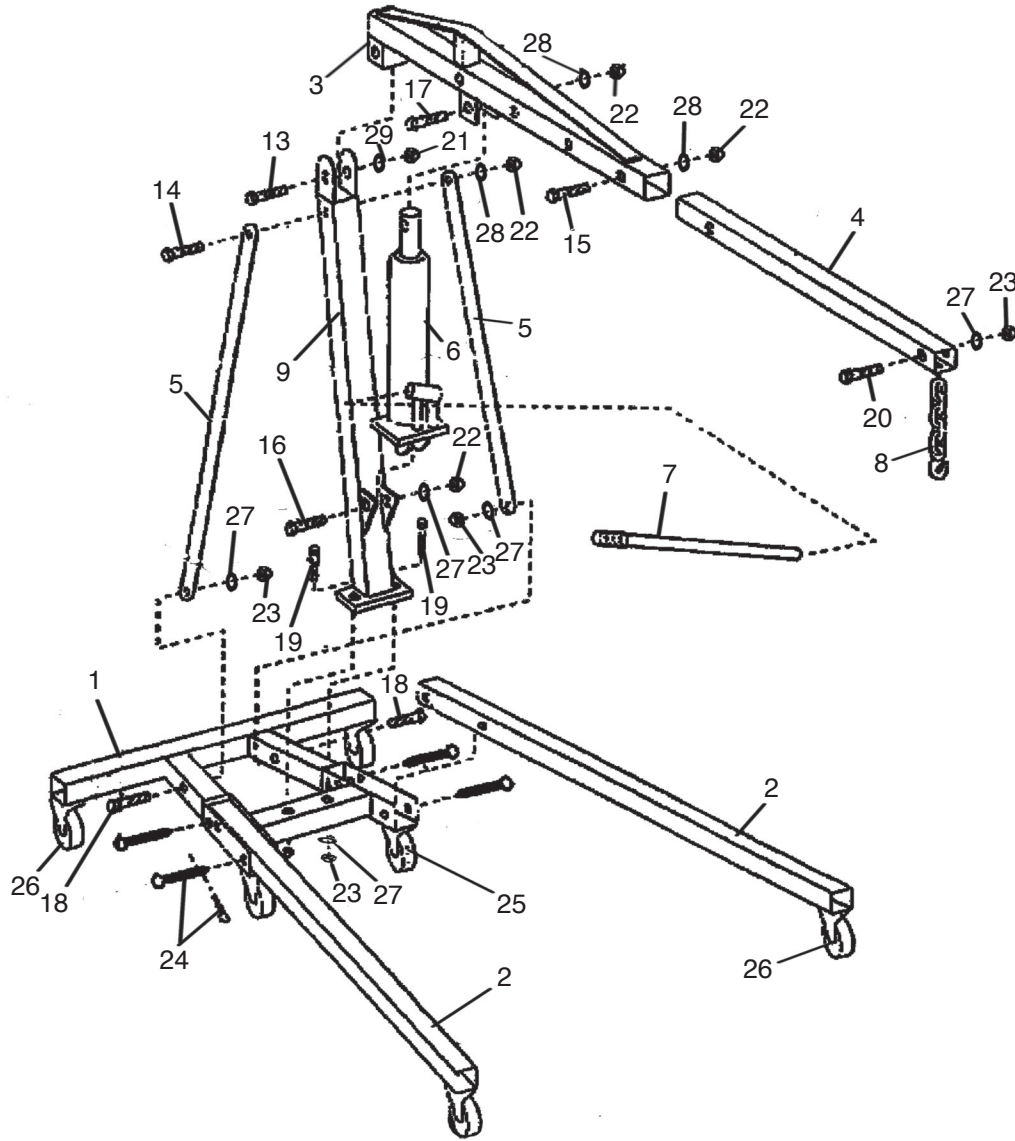


Engine Crane Breakdown (G8712)



REF	PART #	DESCRIPTION
1	P8712001	FRAME BASE
2	P8712002	FRONT LEG
3	P8712003	BOOM
4	P8712004	BOOM EXTENSION
5	P8712005	SUPPORT STRAP
6	P8712106	8 TON HYDRAULIC RAM
7	P8712107	PUMP HANDLE
8	P8712008	HOOK & CHAIN ASSEMBLY
9	P8712009	MAIN SUPPORT POST
13	PB178M	HEX BOLT M18-2.5 X 110
14	PB113M	HEX BOLT M16-2 X 120
15	PB133M	HEX BOLT M16-2 X 90
16	PB177M	HEX BOLT M16-2 x 85

REF	PART #	DESCRIPTION
17	PB131M	HEX BOLT M16-2 X 70
18	PB99M	HEX BOLT M14-2 X 110
19	PB100M	HEX BOLT M14-2 X 100
20	PB98M	HEX BOLT M14-2 X 80
21	PN29M	HEX NUT M18-2.5
22	PN05M	HEX NUT M16-1.5
23	PN32M	HEX NUT M14-2
24	P8712024	PIN W/COTTER PIN
25	P8712025	SWIVEL CASTER, SMALL
26	P8712102-1	SWIVEL CASTER, LARGE
27	PW10M	FLAT WASHER 14MM
28	PW08M	FLAT WASHER 16MM
29	PW18M	FLAT WASHER 18MM

