

READ THIS FIRST



**Models G0544/G5850Z/
G5851Z/G7213Z**

*****IMPORTANT UPDATE*****

**For Machines Mfd. Since 12/16
and Owner's Manual Revised 03/06**

For questions or help with this product contact Tech Support at (570) 546-9663 or techsupport@grizzly.com

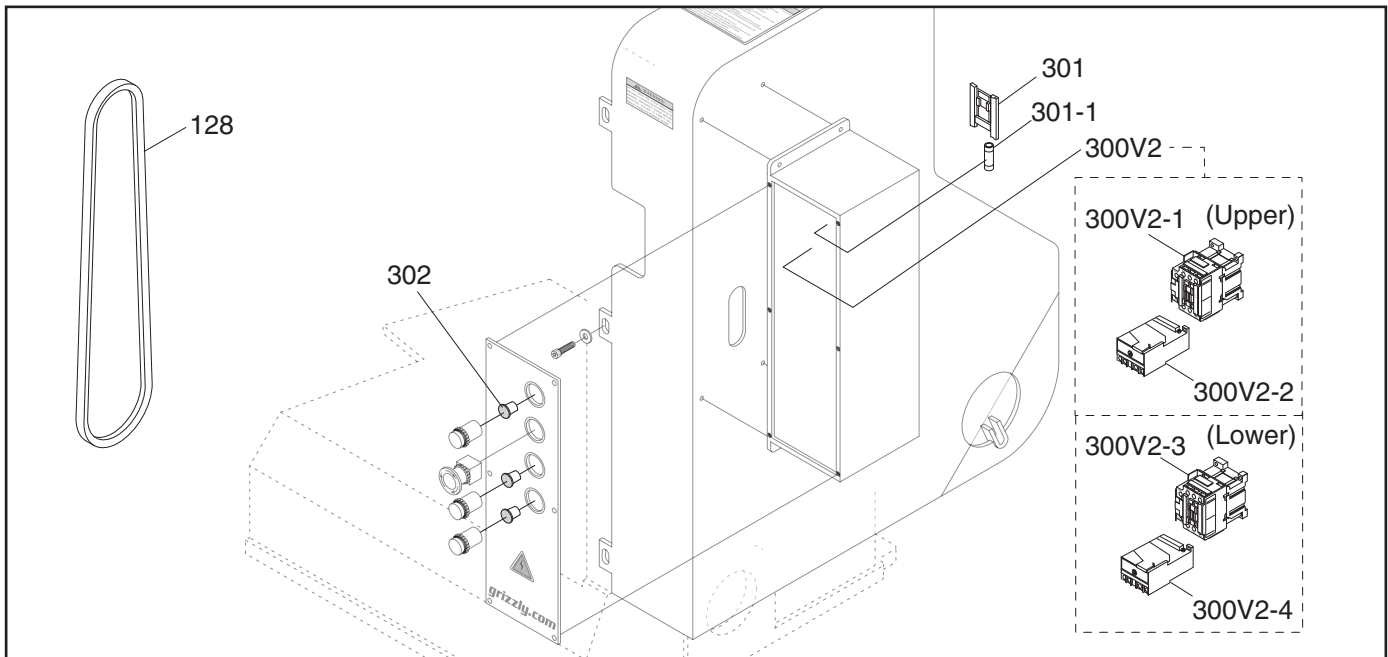
The following changes were recently made to this machine since the owner's manual was printed:

- Updated electrical component information and parts list.
- Updated wiring diagram.
- Updated belt size.

Aside from this information, all other content in the owner's manual applies and MUST be read and understood for your own safety. **IMPORTANT: Keep this update with the owner's manual for future reference.**

For questions or help, contact our Tech Support at (570) 546-9663 or techsupport@grizzly.com.

Revised G0544, G5850Z & G5851Z Breakdown & Parts List



REF	PART #	DESCRIPTION
128	P5851Z128	BELT A64
300V2	P5850Z300V2	MAG SWITCH ASSY V2.12.16
300V2-1	P5850Z300V2-1	CONTACTOR RIKEN RAB-A18 220V
300V2-2	P5850Z300V2-2	OL RELAY RIKEN BTH-18T-2H18 12-18A
300V2-3	P5850Z300V2-3	CONTACTOR RIEKN RAB-A35 220V

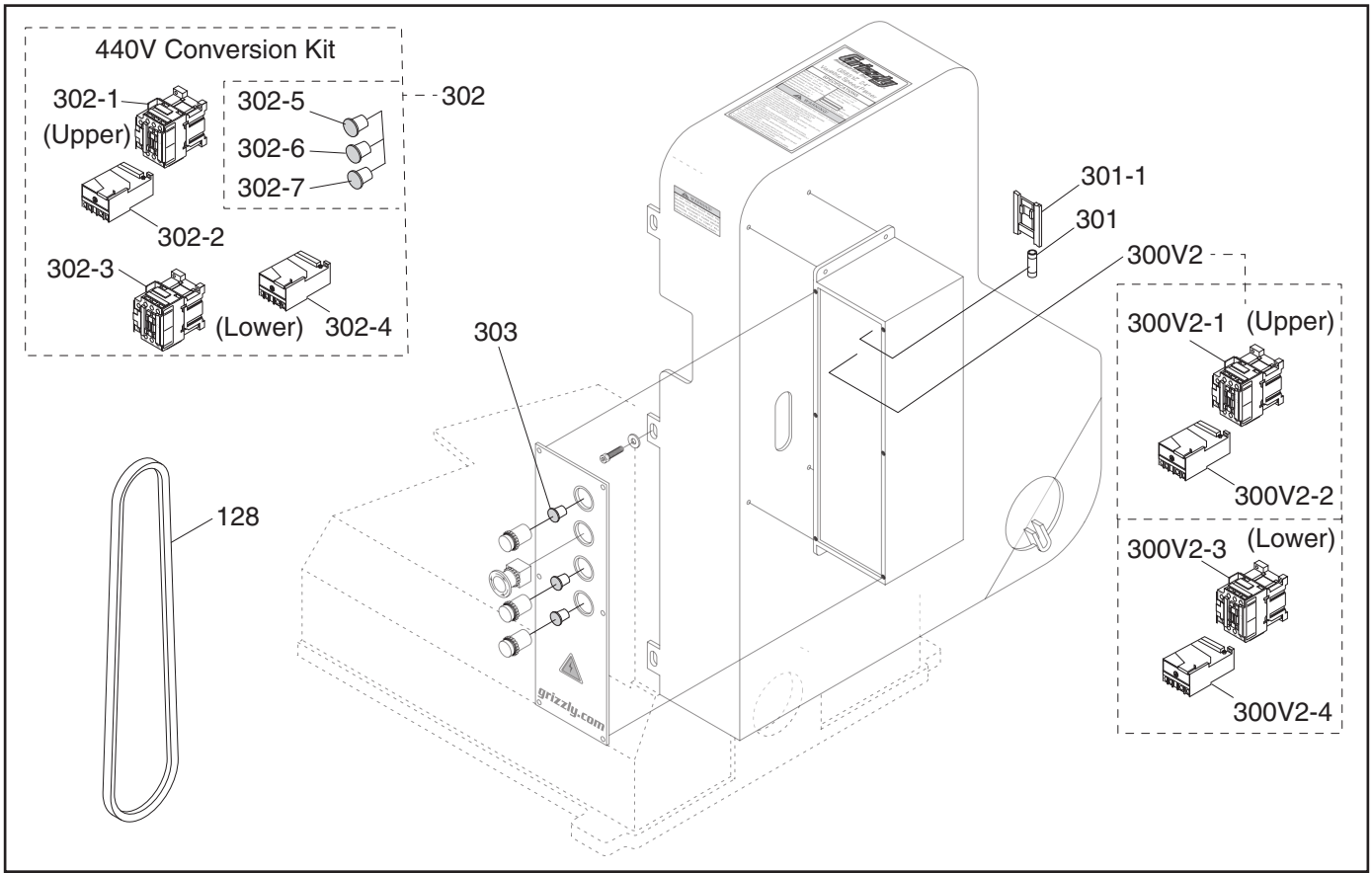
REF	PART #	DESCRIPTION
300V2-4	P5850Z300V2-4	OL RELAY RIKEN BTH-352H3624-36A
301	P5850Z301	FUSE HOLDER
301-1	P5850Z301-1	FUSE 2A
302	P5850Z180	INDICATOR LIGHT (220V)

COPYRIGHT © MARCH, 2017 BY GRIZZLY INDUSTRIAL, INC.
**WARNING: NO PORTION OF THIS MANUAL MAY BE REPRODUCED IN ANY SHAPE
OR FORM WITHOUT THE WRITTEN APPROVAL OF GRIZZLY INDUSTRIAL, INC.**

#JH14254 PRINTED IN TAIWAN

V1.07.17

Revised G7213Z Breakdown & Parts List

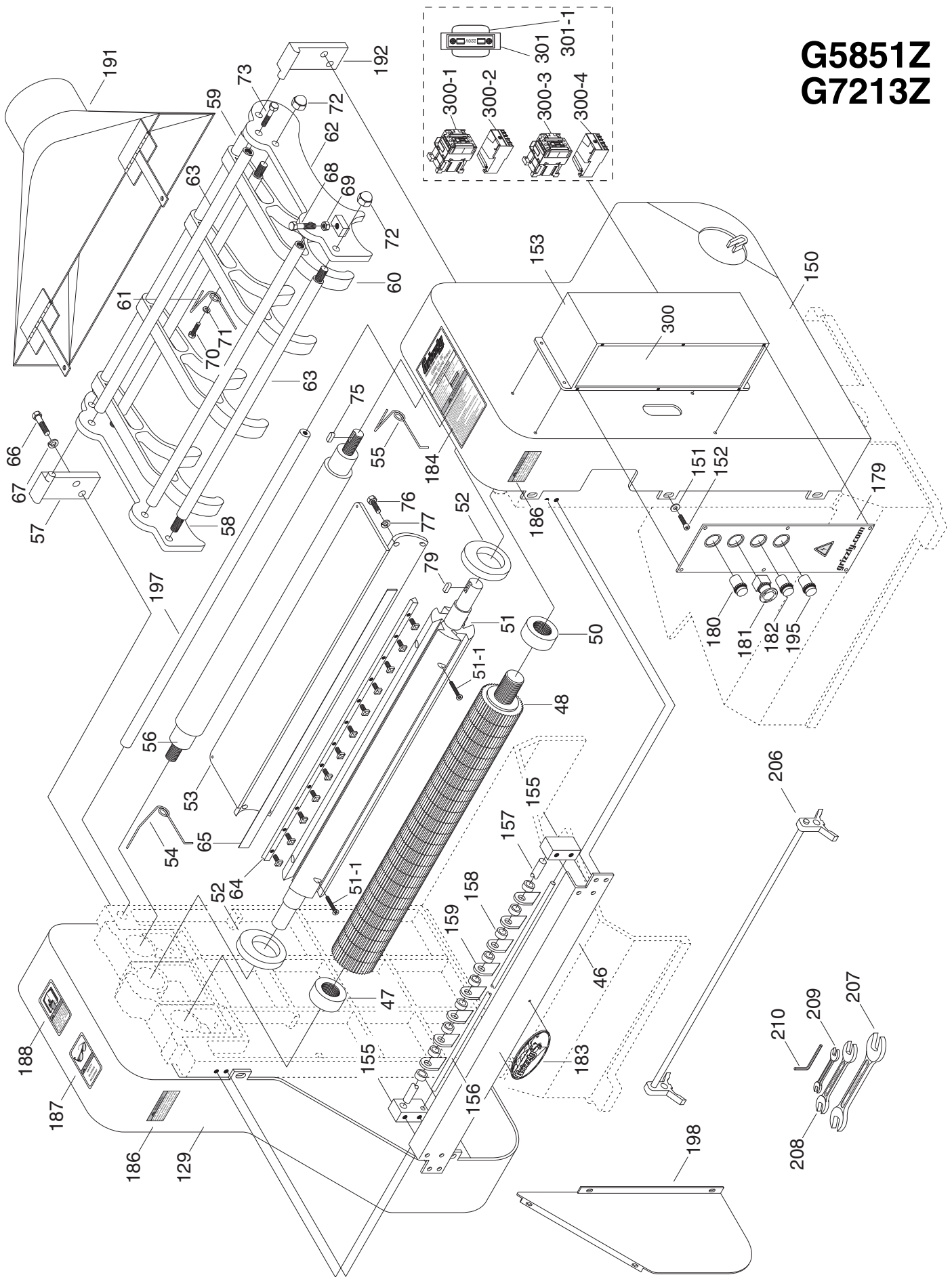


REF	PART #	DESCRIPTION
128	P7213Z128	BELT A64
300V2	P7213Z300V2	MAGNETIC SWITCH ASSY 3-PH V2.12.16
300V2-1	P7213Z300V2-1	CONTACTOR RIKEN RAB-A12 220V V2.12.16
300V2-2	P7213Z300V2-2	OL RELAY RIKEN BTH-18T 2H8 5.4-8A V2.12.16
300V2-3	P7213Z300V2-3	CONTACTOR RIKEN RAB-A30 220V V2.12.16
300V2-4	P7213Z300V2-4	OL RELAY RIKEN BTH-35 2H26 18-26A V2.12.16
301	P7213Z301	FUSE 2A
301-1	P7213Z301-1	FUSE HOLDER
302	P7213Z302	440V CONVERSION KIT

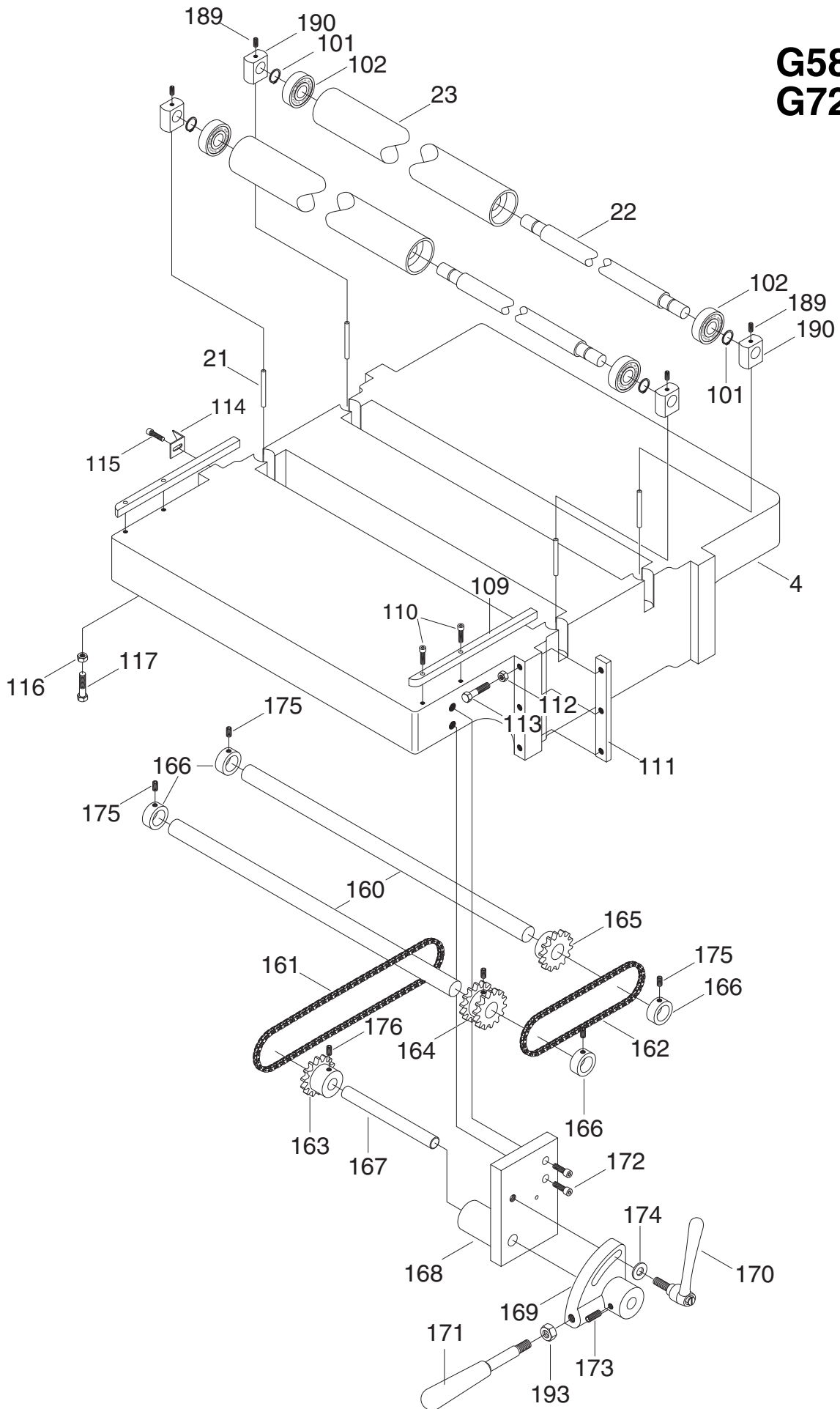
REF	PART #	DESCRIPTION
302-1	P7213Z302-1	CONTACTOR RIKEN RAB-A12 440V
302-2	P7213Z302-2	OL RELAY RIKEN BTH-18T2H4.3 2.9-4.3A
302-3	P7213Z302-3	CONTACTOR RIKEN RAB-A18 440V
302-4	P7213Z302-4	OL RELAY RIKEN BTH-18T2H18 12-18A
302-5	P7213Z302-5	POWER FEED BULB (440V)
302-6	P7213Z302-6	MAIN MOTOR BULB (440V)
302-7	P7213Z302-7	FEED MOTOR BULB (440V)
303	P7213Z303	INDICATOR BULB (220V)



G5851Z G7213Z



G5851Z G7213Z



G5851Z & G7213Z

REF	PART #	DESCRIPTION
1	P5851Z001	BASE
2	P5851Z002	COLUMN
3	P5851Z003	COLUMN
4	P5851Z004	TABLE
5	P5851Z005	GEAR SHAFT
6	P5851Z006	BEVEL GEAR
7	P5851Z007	BEVEL GEAR
8	P5851Z008	END BRACKET
10	P5851Z010	BEVEL GEAR
11	P5851Z011	BEVEL GEAR
12	P5851Z012	BEVEL GEAR HOUSING
13	P5851Z013	HANDWHEEL SHAFT
14	P5851Z014	SHAFT RING
15	P5851Z015	BEARING HOUSING
16	P5851Z016	ELEVATING SCREW 1-6X17-1/2"
17	P5851Z017	ELEVATING SCREW BRACKET LEFT SIDE
18	P5851Z018	ELEVATING SCREW 1-6X17-1/2"
19	P5851Z019	ELEVATING SCREW ADJUSTING NUT
20	P5851Z020	ELEVATING SCREW BRACKET RIGHT SIDE
21	P5851Z021	TABLE ROLLER ADJ PIN
22	P5851Z022	TABLE ROLLER SHAFT
23	P5851Z023	TABLE ROLLER
24	P5851Z024	OUTFEED ROLLER MOUNT LH
25	P5851Z025	BEARING LOCKING RING RH
25B	P5851Z025B	BEARING LOCKING RING LH
26	P5851Z026	ROUND NUT
27	P5851Z027	INFEED ROLLER MOUNT LH
28	P5851Z028	BEARING LOCKING RING
29	P5851Z029	SPACER
30	P5851Z030	INFEED GEAR 38T
31	P5851Z031	OUTFEED GEAR 26T
32	P5851Z032	CUTTERHEAD MOUNT LH
33	P5851Z033	CUTTERHEAD MOUNT RH
34	P5851Z034	BEARING LOCKING RING
35	P5851Z035	PULLEY 2-3/4"
36	P5851Z036	NUT M30-1.5 LH
37	P5851Z037	SPACER
38	P5851Z038	CUTTERHEAD GEAR 25T
39	P5851Z039	ADJUSTING BRACKET
40	P5851Z040	GEAR 14T
41	P5851Z041	GEAR 76T
42	P5851Z042	PULLEY 7"
43	P5851Z043	GEAR 18T
44	P5851Z044	ADJUSTING BRACKET
45	P5851Z045	PULLEY 10"
46	P5851Z046	SAFETY FENDER
47	P5851Z047	LOCK COLLAR LH
48	P5851Z048	INFEED ROLLER
50	P5851Z050	LOCK COLLAR RH
51	P5851Z051	CUTTERHEAD 24" 4 BLADE
51-1	P5851Z051-1	FLAT HEAD SCREW M6-1 X 16
52	P5851Z052	PRESSURE BAR BRACKET
53	P5851Z053	PRESSURE BAR
54	P5851Z054	PRESSURE SPRING LEFT

REF	PART #	DESCRIPTION
55	P5851Z055	SPRING
56	P5851Z056	OUTFEED ROLLER
57	P5851Z057	COVER HINGE BRACKET LH
58	P5851Z058	COVER SIDE PLATE LH
59	P5851Z059	CHIPBREAKER SHAFT
60	P5851Z060	CHIPBREAKER
61	P5851Z061	CHIPBREAKER SPRING
62	P5851Z062	COVER SIDE PLATE RH
63	P5851Z063	RETURN ROLLER 5/16" INSIDE THREAD
64	P5851Z064	GIB W/ GIB BOLTS
64A	P5851Z064A	KNIFE SETTING GAUGE
65	P5851Z065	KNIFE 4PC 24 X 1"
66	P5851Z066	HEX BOLT 3/8-16 X 1-1/4
67	P5851Z067	LOCK WASHER 3/8
68	P5851Z068	HEX BOLT 3/8-16 X 2
69	P5851Z069	HEX NUT 3/8"-16
70	P5851Z070	HEX BOLT 1/4-20 X 5/8
71	P5851Z071	LOCK WASHER 1/4
72	P5851Z072	ACORN NUT 1/2-12
73	P5851Z073	HEX BOLT 5/16-18 X 1
74	P5851Z074	HEX BOLT 5/16-18 X 5/8
75	P5851Z075	KEY 1/4 X 1/4 X 3/4
76	P5851Z076	HEX BOLT 5/16-18 X 5/8
77	P5851Z077	LOCK WASHER 5/16
79	P5851Z079	KEY 1/4 X 1/4 X 3/4
80	P5851Z080	BALL BEARING 6205ZZ
81	P5851Z081	HEX BOLT 3/8-16 X 1-3/4
84	P5851Z084	LOCK WASHER 3/8
85	P5851Z085	BALL BEARING 6206ZZ
86	P5851Z086	INT RETAINING RING 27MM
87	P5851Z087	BEARING LOCKING RING 15/16-16 RH R SIDE
88	P5851Z088	LOCK WASHER 3/8
89	P5851Z089	HEX BOLT 3/8-16 X 1
90	P5851Z090	BALL BEARING 6002ZZ
91	P5851Z091	BALL BEARING 6201ZZ
92	P5851Z092	FLAT WASHER 5/16
93	P5851Z093	LOCK WASHER 5/16
94	P5851Z094	HEX BOLT 5/16-18 X 3/8
95	P5851Z095	FLAT WASHER 3/8
96	P5851Z096	LOCK WASHER 3/8
97	P5851Z097	HEX BOLT 3/8-16 X 1
98	P5851Z098	BALL BEARING 6003ZZ
99	P5851Z099	HEX NUT 5/8"-11
100	P5851Z100	V-BELT 4L320 (QTY 1)
101	P5851Z101	EXT RETAINING RING 19MM
102	P5851Z102	BALL BEARING 6304ZZ
103	P5851Z103	STUD 3/8"-16 X 6"
104	P5851Z104	SPRING
105	P5851Z105	FLAT WASHER 3/8
106	P5851Z106	HEX NUT 3/8"-16
107	P5851Z107	HEX BOLT 1/2-12 X 1-1/2
108	P5851Z108	LOCK WASHER 1/2
109	P5851Z109	TABLE EDGE GUIDE
110	P5851Z110	CAP SCREW 1/4-20 X 1/2

G5851Z & G7213Z

REF	PART #	DESCRIPTION
111	P5851Z111	TABLE GIB
112	P5851Z112	HEX NUT 3/8"-16
113	P5851Z113	HEX BOLT 3/8-16 X 1-3/4
114	P5851Z114	SCALE POINTER
115	P5851Z115	CAP SCREW 1/4-20 X 3/8
116	P5851Z116	HEX NUT 3/8"-16
117	P5851Z117	HEX BOLT 3/8-16 X 2-1/2
119	P5851Z119	HEX BOLT 5/16-18 X 1-1/4
120	P5851Z120	LOCK WASHER 5/16
121	P5851Z121	HEX BOLT 5/16-18 X 1
122	P5851Z122	DUST BOOT
123	P5851Z123	BALL BEARING 2904
124	P5851Z124	HEX BOLT 5/16-18 X 1
125	P5851Z125	LOCK WASHER 5/16
126	P5851Z126	MOTOR 5HP 220V 1PH
127	P5851Z127	PULLEY 5"
128	P5851Z128	BELT A64
129	P5851Z129	LEFT GUARD
131	P5851Z131	HEX BOLT 3/8-16 X 1-1/2
132	P5851Z132	FLAT WASHER 3/8
133	P5851Z133	LOCK WASHER 3/8
134	P5851Z134	HEX NUT 3/8"-16
135	P5851Z135	HEXAGON SCREW
136	P5851Z136	HEX NUT 3/8"-16
137	P5851Z137	HEX BOLT 5/16-18 X 1
138	P5851Z138	LOCK WASHER 5/16
139	P5851Z139	SET SCREW 1/4-20 X 3/8
140	P5851Z140	SET SCREW 5/16-18 X 3/8
142	P5851Z142	FLAT WASHER 1/2
143	P5851Z143	LOCK WASHER 5/16
144	P5851Z144	HEX BOLT 5/16-18 X 1
145	P5851Z145	ACORN NUT 1/2-12
146	P5851Z146	HANDWHEEL
147	P5851Z147	MOVEABLE HANDLE
148	P5851Z148	LOCK WASHER 5/16
149	P5851Z149	HEX BOLT 5/16-18 X 1
150	P5851Z150	RIGHT GUARD
151	P5851Z151	FLAT WASHER 1/4
152	P5851Z152	CAP SCREW 1/4-20 X 1/2
153	P5851Z153	CONTROL CASE PLASTIC V1.01.99
154	P5851Z154	SUPPORT OF MOTOR COLUMN
155	P5851Z155	MOUNTING BRACKET
156	P5851Z156	SHAFT
157	P5851Z157	FIXED SHAFT
158	P5851Z158	SPACER
159	P5851Z159	SAFETY TOOTH
160	P5851Z160	CHAIN SHAFT
161	P5851Z161	CHAIN 1/2 X 28"
162	P5851Z162	CHAIN 1/2" X 21 1/2"
163	P5851Z163	SPROCKET 14T
164	P5851Z164	DOUBLE SPROCKET 14T
165	P5851Z165	SPROCKET 14T
166	P5851Z166	COLLAR
167	P5851Z167	SHAFT

REF	PART #	DESCRIPTION
168	P5851Z168	HUB MOUNTING PLATE
169	P5851Z169	ARC HUB
170	P5851Z170	LOCK HANDLE 1/2-12
171	P5851Z171	HANDLE 1/2-12
172	P5851Z172	CAP SCREW 5/16-18 X 1
173	P5851Z173	SET SCREW 3/8-16 X 3/8
174	P5851Z174	FLAT WASHER 1/2
175	P5851Z175	SET SCREW 5/16-18 X 3/8
176	P5851Z176	SET SCREW 5/16-18 X 1/4
177	P5851Z177	FEED MOTOR 2HP 220V
178	P5851Z178	BELT GUARD LABEL
179	P5851Z179	CONTROL PANEL
180	P5851Z180	GRIZZLY NAMEPLATE 8W X 3.5H
181	P5851Z181	EMERGENCY STOP SWITCH
182	P5851Z182	ON SWITCH
183	P5851Z183	GRIZZLY NAME PLATE
184	P5851Z184	MACHINE ID LABEL
185	P5851Z185	GREASE FITTING
186	P5851Z186	DO NOT OPEN WARNING
187	P5851Z187	SAFETY GLASSES 2W X 3.3H
188	P5851Z188	READ MANUAL 2W X 3.3H
189	P5851Z189	SET SCREW 1/4-20 X 1/4
190	P5851Z190	BED ROLLER BASE
191	P5851Z191	DUST HOOD 24"
192	P5851Z192	CHIPBREAKER SIDE PLATE
193	P5851Z193	HEX NUT 1/2"-13
194	P5851Z194	HEX BOLT 1/2-12 X 4
195	P5851Z195	FEED POWER SWITCH
196	P5851Z196	KNIFE SETTING GIB
197	P5851Z197	SUPPORT SHAFT
198	P5851Z198	COVER
199	P5851Z199	MOTOR ADJ BRACKET FOR FEED MOTOR
200	P5851Z200	KEY 8 X 10 X 64
201	P5851Z201	FLAT WASHER 3/8
202	P5851Z202	HEX BOLT 3/8-16 X 6
203	P5851Z203	SPRING
204	P5851Z204	V-BELT 4L460 (QTY 1)
205	P5851Z205	DEPTH GAUGE
206	P5851Z206	KNIFE SETTING JIG
207	P5851Z207	WRENCH 17 X 19
208	P5851Z208	COMBO WRENCH 12/14MM
209	P5851Z209	WRENCH 8 X 10
210	P5851Z210	HEX WRENCH 4MM
211	P5851Z211	LOCKING NUT
212	P5851Z212	SPACER
300	P5850Z300	MAGNETIC SWITCH ASSY
300	P7213Z300	MAGNETIC SWITCH 3-PH
300-1	P7213Z300-1	CONTACTOR - FEED MOTOR
300-2	P7213Z300-2	OVERLOAD RELAY - FEED MOTOR
300-3	P7213Z300-3	CONTACTOR - CUTTERHEAD
300-4	P7213Z300-4	OVERLOAD RELAY - CUTTERHEAD
301	P5850Z301	FUSE HOLDER
301-1	P5850Z301-1	FUSE 2A
302	P5850Z180	INDICATOR LIGHT (220V)