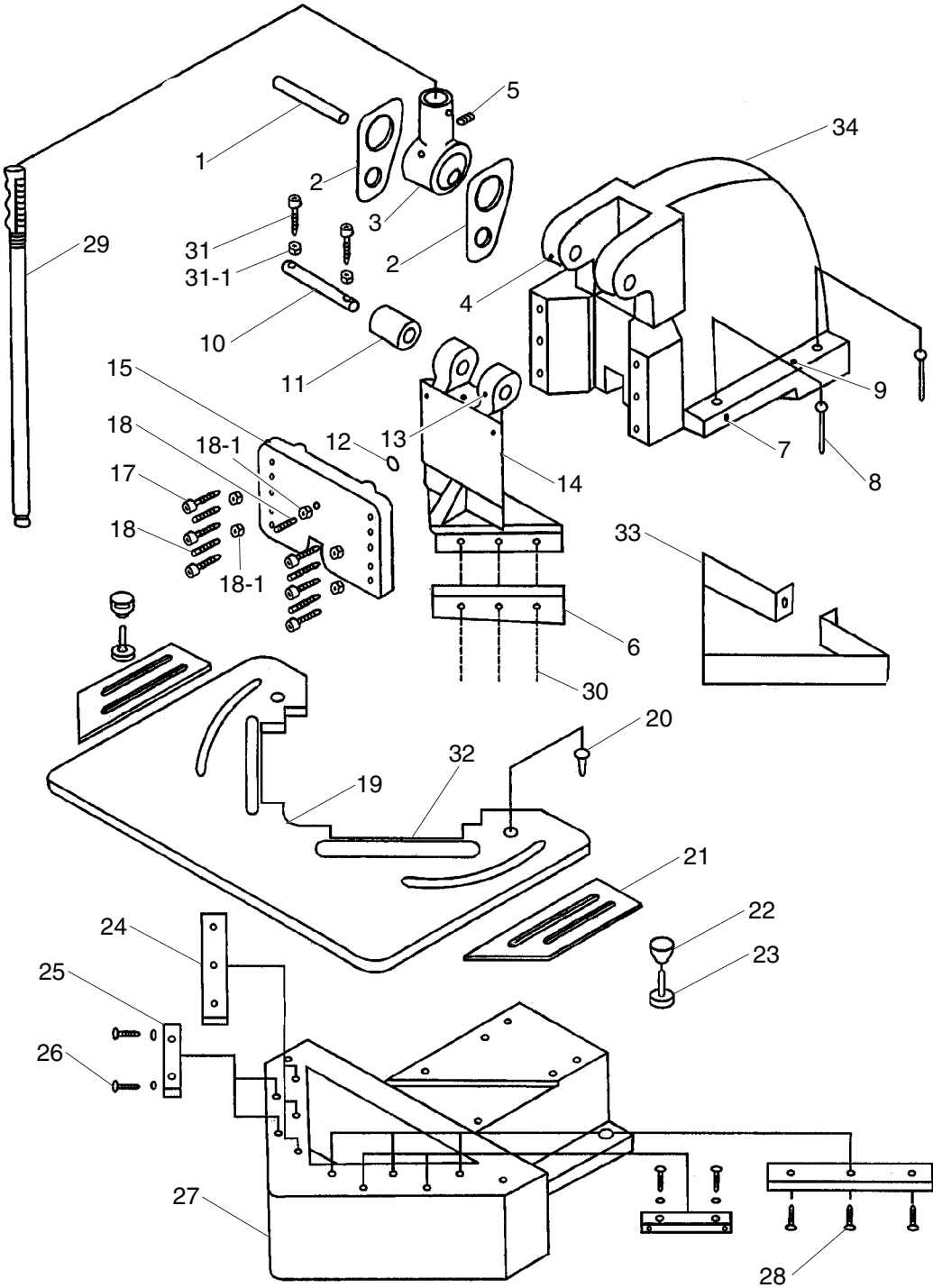


SECTION 7: PARTS

Parts Breakdown

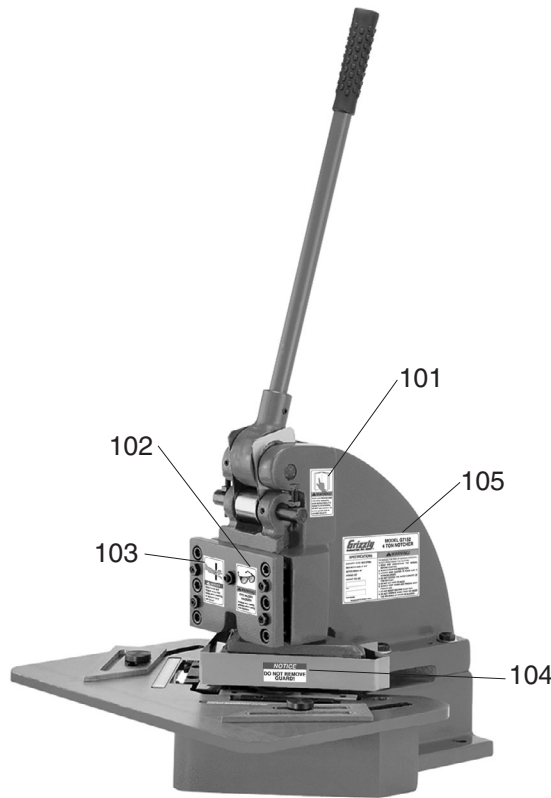


Parts List

REF	PART #	DESCRIPTION
1	P7152001	CAM FIXED SHAFT
2	P7152002	FIXED PLATE
3	P7152003	CAM
4	PSS08	SET SCREW 5/16-18 X 1/2
5	PSS08	SET SCREW 5/16-18 X 1/2
6	P7152006	UPPER BLADE SHORT/LONG
7	PSS03	SET SCREW 1/4-20 X 3/8
8	PB20	HEX BOLT 1/2-12 X 2-1/2
9	P7152009	ROLL PIN 3/8 X 2-3/8
10	P7152010	CAM ROLLER PIN
11	P7152011	ROLLER 23MM
12	P7152012	FLAT BUSHING
13	PSS08	SET SCREW 5/16-18 X 1/2
14	P7152014	RAM
15	P7152015	FRONT COVER
17	PSB26	CAP SCREW 3/8-16 X 1-1/2
18	PB11	HEX BOLT 5/16-18 X 1-1/2
18-1	PN02	HEX NUT 5/16"-18

REF	PART #	DESCRIPTION
19	P7152019	TABLE PLATE
20	P7152020	FLAT HEAD SCR 3/8-16 X 3/4
21	P7152021	ANGLE GAUGE
22	P7152022	SPECIAL NUT 3/8-16
23	P7152023	T-SCREW 3/8-16
24	P7152024	LOWER BLADE
25	P7152025	BLADE FIXED PLATE
26	PB31	HEX BOLT 1/4-20 X 1
27	P7152027	BOTTOM BASE
28	PSB11	CAP SCREW 5/16-18 X 1-1/4
29	P7152029	HANDLE LEVER
30	PSB03	CAP SCREW 5/16-18 X 1
31	PB06	HEX BOLT 5/16-18 X 2
31-1	PN02	HEX NUT 5/16"-18
32	P7152032	SCALE
33	P7152033	FENCE GUARD
34	P7152034	MAIN BODY CASTING

Labels Breakdown & List



REF	PART #	DESCRIPTION
101	PLABEL-12C	READ MANUAL LABEL
102	PLABEL-11B	SAFETY GLASSES LABEL
103	P7152103	FINGER SHEARING LABEL

REF	PART #	DESCRIPTION
104	P7152104	NO GUARD REMOVAL LABEL
105	P7152105	MACHINE ID LABEL

