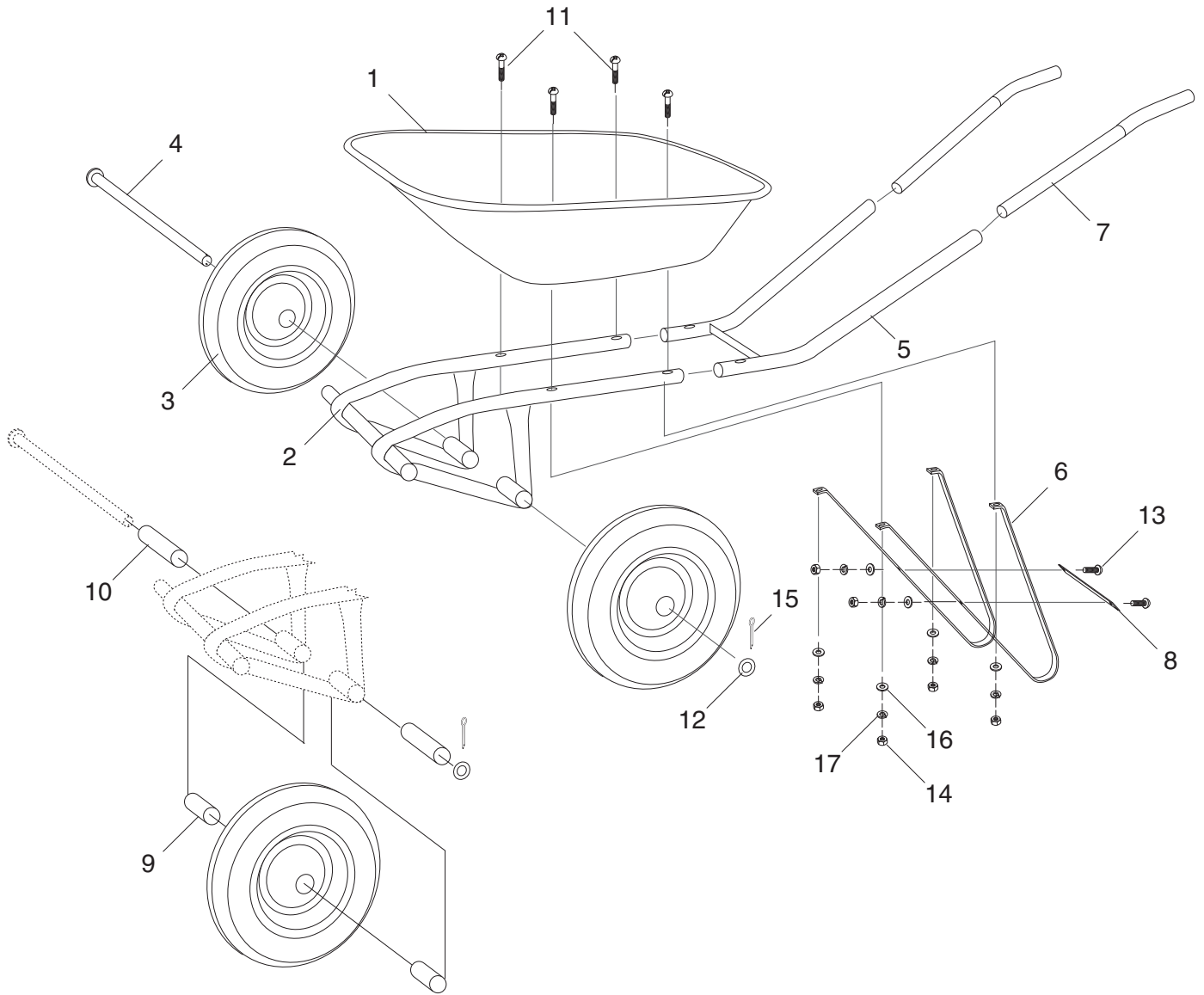


G7104 Parts Breakdown and List



REF	PART#	DESCRIPTION
1	P7104001	BUCKET
2	P7104002	FRONT FRAME
3	P7104003	WHEEL W/ HUB, TIRE, TUBE
4	P7104004	AXLE
5	P7104005	BACK FRAME
6	P7104006	LEG
7	P7104007	HANDLE
8	P7104008	RAIL
9	P7104009	SHORT SPACER 1 $\frac{1}{8}$ " X 2"

REF	PART#	DESCRIPTION
10	P7104010	LONG SPACER 1 $\frac{1}{8}$ " X 4"
11	PS88M	PHLP HD SCREW M8-1.25 X 50
12	P7104012	FLAT WASHER 26MM
13	PS04M	PHLP HD SCREW M8-1.25 X 20
14	PN03M	HEX NUT M8-1.25
15	P7104015	COTTER PIN
16	PW01M	FLAT WASHER 8MM
17	PLW04M	LOCK WASHER 8MM