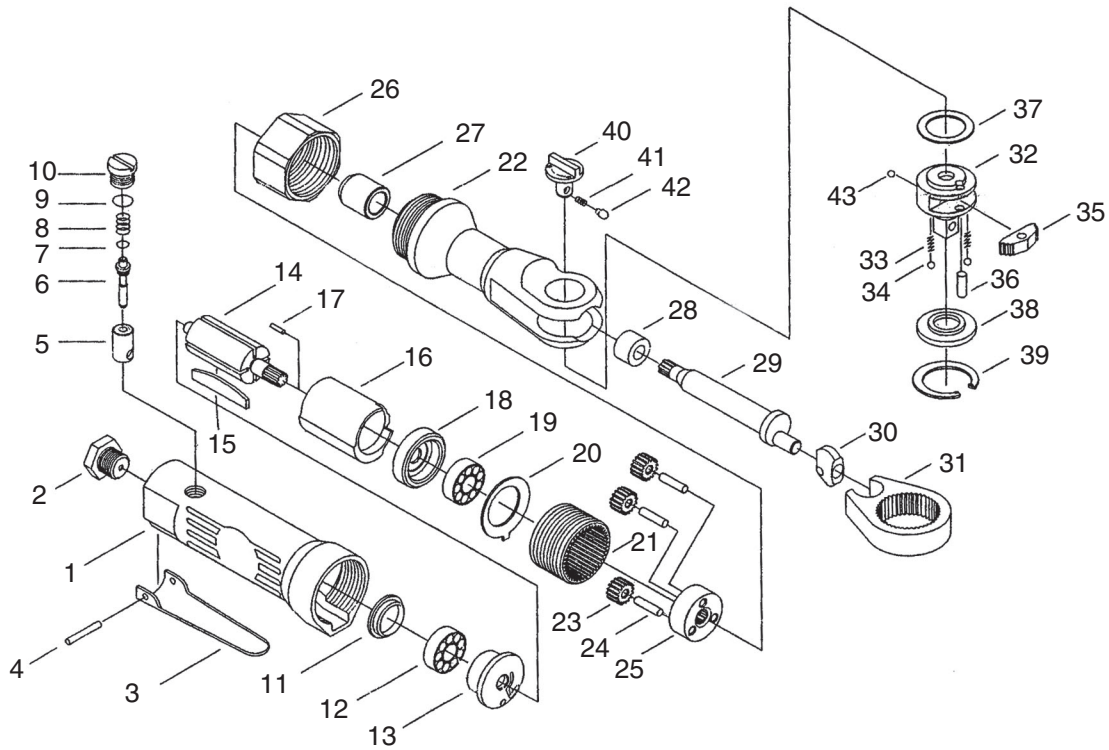


# G5350 Parts Breakdown and List



| REF | PART #   | DESCRIPTION      |
|-----|----------|------------------|
| 1   | P5350001 | HOUSING          |
| 2   | P5350002 | AIR INLET        |
| 3   | P5350003 | THROTTLE LEVER   |
| 4   | P5350004 | ROLL PIN         |
| 5   | P5350005 | VALVE BUSHING    |
| 6   | P5350006 | VALVE STEM       |
| 7   | P5350007 | O-RING           |
| 8   | P5350008 | SPRING           |
| 9   | P5350009 | O-RING           |
| 10  | P5350010 | VALVE PLUG       |
| 11  | P5350011 | END PLATE CAP    |
| 12  | P5350012 | REAR BEARING     |
| 13  | P5350013 | REAR PLATE       |
| 14  | P5350014 | ROTOR            |
| 15  | P5350015 | ROTOR BLADE      |
| 16  | P5350016 | CYLINDER         |
| 17  | P5350017 | CYLINDER PIN     |
| 18  | P5350018 | FRONT PLATE      |
| 19  | P5350019 | FRONT BEARING    |
| 20  | P5350020 | WASHER           |
| 21  | P5350021 | THREAD RING GEAR |
| 22  | P5350022 | RATCHET HOUSING  |

| REF | PART #   | DESCRIPTION      |
|-----|----------|------------------|
| 23  | P5350023 | IDLER GEAR       |
| 24  | P5350024 | IDLER GEAR PIN   |
| 25  | P5350025 | IDLER GEAR PLATE |
| 26  | P5350026 | CLAMP NUT        |
| 27  | P5350027 | BUSHING          |
| 28  | P5350028 | BEARING          |
| 29  | P5350029 | CRANK SHAFT      |
| 30  | P5350030 | DRIVE BUSHING    |
| 31  | P5350031 | RATCHET YOKE     |
| 32  | P5350032 | RATCHET ANVIL    |
| 33  | P5350033 | SPRING           |
| 34  | P5350034 | STEEL BALL       |
| 35  | P5350035 | PAWL             |
| 36  | P5350036 | PIN              |
| 37  | P5350037 | WASHER           |
| 38  | P5350038 | THRUST WASHER    |
| 39  | P5350039 | RETAINER RING    |
| 40  | P5350040 | REVERSE BUTTON   |
| 41  | P5350041 | SPRING           |
| 42  | P5350042 | LOCK PIN         |
| 43  | P5350043 | STEEL BALL       |