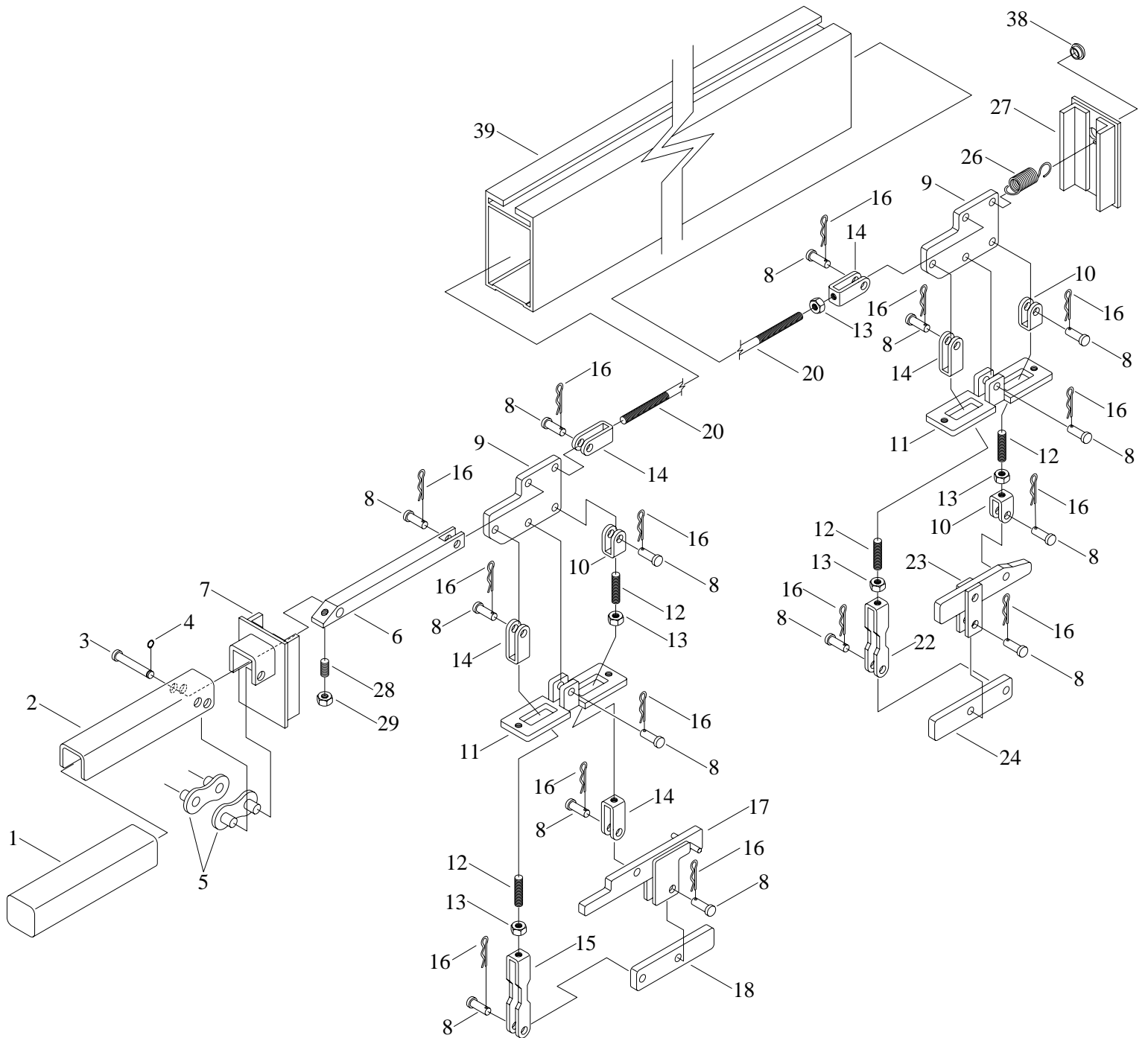
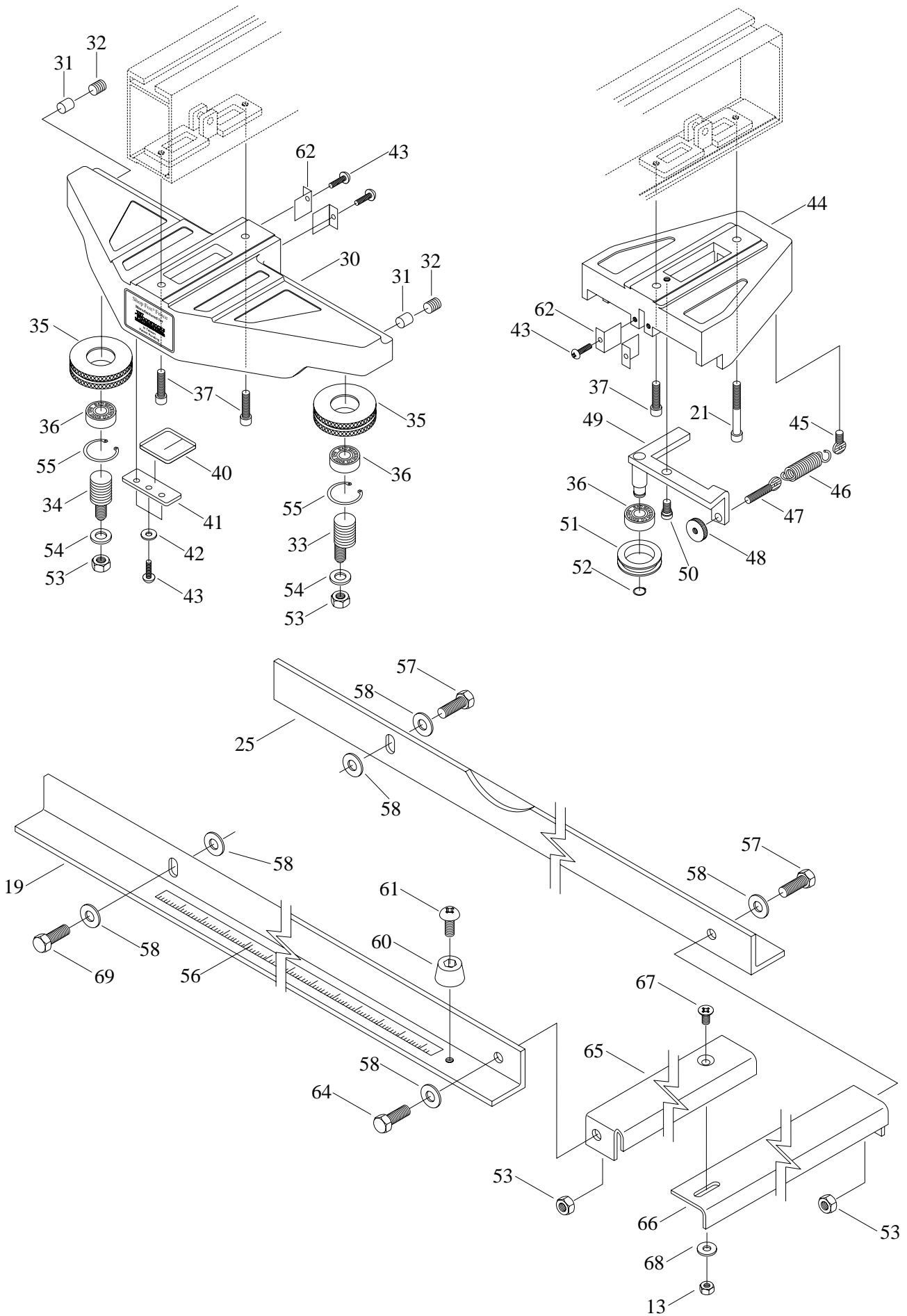


# SECTION VI: PART DOCUMENTATION





REF#	DESCRIPTION
1	GRIP
2	LOCKING HANDLE
3	PIVOT PIN
4	SNAP RING 8mm
5	POWER LINK
6	DRAW BAR
7	FRONT END CAP
8	PIVOT PIN
9	ROCKER PLATE
10	SHORT YOKE
11	ROCKER PLATE MOUNT
12	THREADED SHAFT
13	HEX NUT 1/4"-20
14	YOKE
15	FRONT YOKE
16	COTTER PIN
17	FRONT UPPER JAW
18	FRONT LOWER JAW
19	FRONT RAIL
20	TIE ROD
21	CAP SCREW 1/4"-20 x 2"
22	REAR YOKE
23	REAR UPPER JAW
24	REAR LOWER JAW
25	BACK RAIL
26	RETURN SPRING
27	REAR FENCE CAP
28	SETSCREW 1/4"-20 x 5/8"
29	HEX NUT 1/4"-20
30	FRONT CARRIAGE
31	PLASTIC PLUG
32	SETSCREW 3/8"-16 x 3/8"
33	ECCENTRIC ROLLER AXLE
34	ROLLER AXLE

REF#	DESCRIPTION
35	FRONT ROLLER
36	BEARING 6000-2RS
37	CAP SCREW 1/4"-20 x 1"
38	PLASTIC CAP
39	FENCE
40	HAIRLINE INDICATOR
41	INDICATOR CLAMP
42	FLAT WASHER #8
43	PHILLIPS HEAD SCREW 8-32 x 3/4"
44	REAR CARRIAGE
45	THUMB SCREW
46	TENSION SPRING
47	THUMB SCREW
48	KNURLED NUT
49	PIVOT ARM
50	SHOULDER BOLT
51	REAR ROLLER
52	SNAP RING 10 mm
53	HEX NUT 3/8"-16
54	FLAT WASHER 3/8"
55	SNAP RING 26 mm
56	SCALE
57	HEX BOLT 3/8"-16 x 1"
58	FLAT WASHER 3/8"
60	FENCE STOP
61	PHILLIPS HEAD SCREW
62	SHIM .008"
63	SHIM .012"
64	SHIM .016"
65	BRACE, SHORT
66	BRACE, LONG
67	FLAT HD SCR 1/4"-20 X 1/2"
68	FLAT WASHER 1/4"
69	SPECIAL BOLT 3/8"-16 x 1"