



IMPORTS, INC.

DRILL PRESS

MODEL G4008/G4009

PARTS LIST



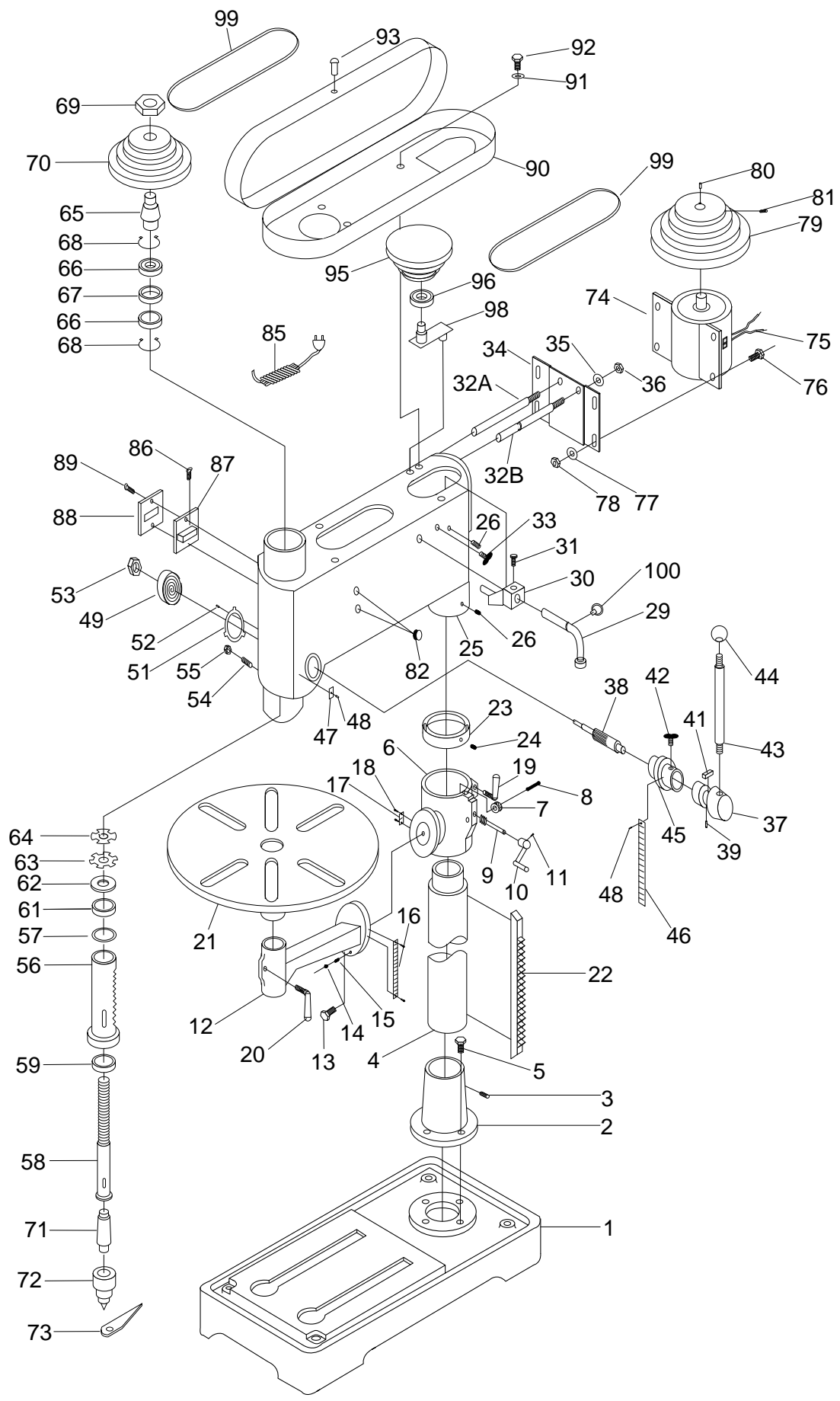
COPYRIGHT © 1996 BY GRIZZLY IMPORTS, INC.

WARNING: NO PORTION OF THIS MANUAL MAY BE REPRODUCED IN ANY SHAPE OR FORM WITHOUT THE WRITTEN APPROVAL OF GRIZZLY IMPORTS, INC.

APRIL, 1997 PRINTED IN USA

DISCONTINUED MACHINE PARTS LIST DISCLAIMER

THESE PARTS REPRESENT THE LAST CONFIGURATION OF THE MACHINE BEFORE IT WAS DISCONTINUED. MACHINE CONFIGURATIONS MAY HAVE CHANGED AS PRODUCT IMPROVEMENTS WERE INCORPORATED. IF YOU OWN AN EARLIER VERSION OF THE MACHINE, THIS PARTS LIST MAY NOT EXACTLY DEPICT YOUR MACHINE. CONTACT CUSTOMER SERVICE IF YOU HAVE ANY QUESTIONS ABOUT PART DIFFERENCES. PREVIOUS PARTS LIST VERSIONS ARE NOT AVAILABLE ONLINE.



REF	PART #	DESCRIPTION
1	P4008001	BASE
2	P4008002	COLUMN HOLDER
3	P4008003	SET SCREW
4	P4008004	COLUMN
5	PB31M	HEX BOLT
6	P4008006	BRACKET
7	P4008007	PINION GEAR
8	P4008008	GEAR SHAFT
9	P4008009	WORM PINION
10	P4008010	CRANK HANDLE
11	P4008011	HEX BOLT
12	P4008012	TABLE BRACKET
13	P4008013	HEX BOLT
16	P4008016	ANGLE SCALE
17	P4008017	CENTERING SCALE
18	P4008018	RIVET
19	P4008019	COLUMN LOCK HANDLE
20	P4008020	TABLE LOCK HANDLE
21	P4008021	TABLE
22	P4008022	RACK
23	P4008023	RACK RING
24	P4008024	SET SCREW
25	P4008025	HEAD CASTING
26	P4008026	SET SCREW
28	P4008028	HEX BOLT
29	P4008029	CAM HANDLE
30	P4008030	CAM
31	P4008031	HEX BOLT
32	P4008032	SLIDE BAR
33	P4008033	SLIDE BAR BOLT
34	P4008034	MOTOR BASE
35	P4008035	LOCK WASHER
36	P4008036	HEX NUT
37	P4008037	HANDLE BODY
38	P4008038	FEED SHAFT
39	P4008039	FEED SHAFT SET PIN
40	P4008040	SCALE SET PIN
41	P4008041	SCALE GUIDE
42	P4008042	SLIDE BAR BOLT
43	P4008043	HANDLE BAR
44	P4008044	KNOB
45	P4008045	SPINDLE DEPTH
46	P4008046	SCALE
47	P4008047	SCALE
48	P4008048	RIVET
49	P4008049	SPRING & HOUSING
51	P4008051	SPRING SEAT
52	P4008052	SPECIAL SET SCREW
53	P4008053	HEX NUT
54	P4008054	SPECIAL SET SCREW

REF	PART #	DESCRIPTION
55	P4008055	HEX NUT
56	P4008056	QUILL
57	P4008057	RUBBER WASHER
58	P4008058	SPINDLE SHAFT
59	P4008059	BEARING
60	P4008060	NAME PLATE
61	P4008061	BEARING
62	P4008062	SPECIAL WASHER
63	P4008063	SPECIAL LOCK NUT
64	P4008064	SPECIAL NUT
65	P4008065	DRIVE SLEEVE
66	P4008066	BEARING
67	P4008067	COLLAR
68	P4008068	SPECIAL SNAP RING
69	P4008069	HEX NUT
70	P4008070	PULLEY
71	G1676	ARBOR
72	G1650	CHUCK
72A	P4008072A	1/2" CHUCK KEY
73	P4008073	WEDGE SHIFTER
74	P4008074	MOTOR
75	P4008075	WIRE
76	P4008076	HEX BOLT
77	P4008077	FLAT WASHER
78	P4008078	HEX NUT
79	P4008079	MOTOR PULLEY
80	P4008080	KEY
81	P4008081	SET SCREW
82	P4008082	WIRE INSULATOR
83	P4008083	WIRE CLIP
84	P4008084	CLIP SCREW
85	P4008085	CORD
86	P4008086	CLIP TERMINAL
87	P4008087	SWITCH
88	P4008088	SWITCH COVER
89	P4008089	SCREW
90	P4008090	PULLEY COVER
91	P4008091	FLAT WASHER
92	P4008092	SCREW
93	P4008093	COVER KNOB
95	P4008095	CENTER PULLEY
96	P4008096	BEARING
98	P4008098	CENTER PULLEY SHAFT
99	P4008099	V-BELT
100	P4008100	SNAP RING
		--G4009 SPECIAL PARTS--
01	P4009001	BASE
02	P4009002	COLUMN HOLDER
04	P4009004	COLUMN