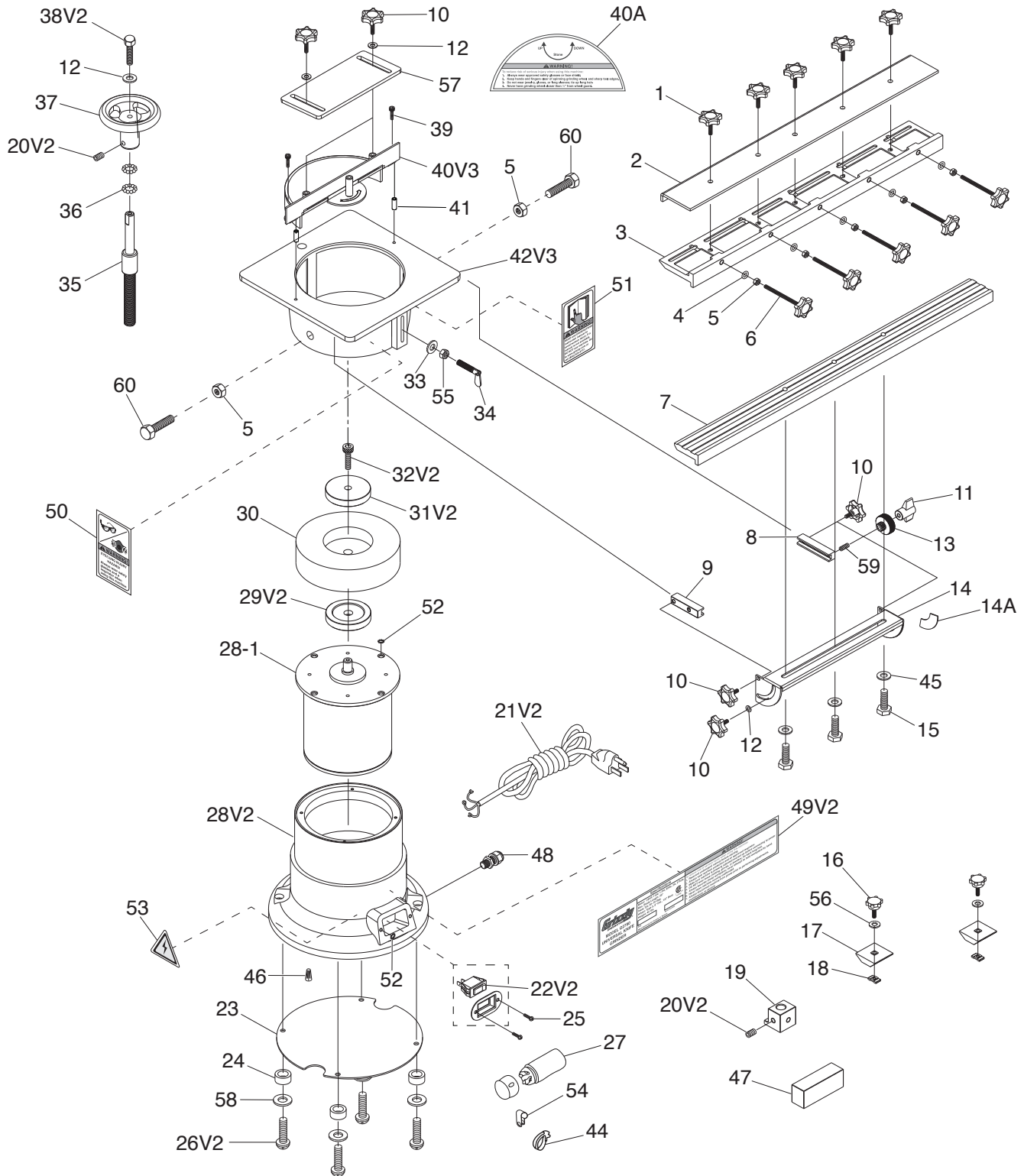


SECTION 9: PARTS

We do our best to stock replacement parts when possible, but we cannot guarantee that all parts shown are available for purchase. Call **(800) 523-4777** or visit www.grizzly.com/parts to check for availability.

Main



Main Parts List

REF	PART #	DESCRIPTION
1	P2790001	STAR KNOB 1/4-20 X 7/8
2	P2790002	KNIFE CLAMP
3	P2790003	SLIDING BAR
4	P2790004	O-RING 6 X 2
5	P2790005	HEX NUT 1/4-20
6	P2790006	STAR KNOB 1/4-20 X 2-3/4
7	P2790007	SLIDING TABLE
8	P2790008	RIGHT PIVOT SUPPORT FLANGE
9	P2790009	LEFT PIVOT SUPPORT FLANGE
10	P2790010	STAR KNOB 1/4-20 X 1/2
11	P2790011	PIVOT KNOB
12	P2790012	FLAT WASHER 1/4
13	P2790013	PIVOT ROTATION WHEEL
14	P2790014	PIVOT SUPPORT
14A	P2790014A	DEGREE SCALE
15	P2790015	HEX BOLT 5/16-18 X 1/2
16	P2790016	STAR KNOB 10-24 X 3/4
17	P2790017	STATIONARY CLAMP
18	P2790018	STATIONARY CLAMP NUT 10-24
19	P2790019	DRESSING TOOL HOLDER
20V2	P2790020V2	SET SCREW 5/16-18 X 5/16 V2.04.14
21V2	P2790021V2	POWER CORD 18G 3W 82"L 5-15
22V2	P2790022V2	ON/OFF SWITCH V2.09.12
23	P2790023	COVER PLATE
24	P2790024	RUBBER BASE FOOT
25	P2790025	PHLP HD SCR 10-24 X 3/8
26V2	P2790026V2	FLANGE SCREW 10-24 X 3/8 V2.09.12
27	P2790027	S CAPACITOR 10M 250V 1-1/8 X 1-1/2
28V2	P2790028V2	MOTOR HOUSING 188MM V2.12.12
28-1	P2790028-1	MOTOR 1/2HP 110V 1-PH
29V2	P2790029V2	ALUM BOTTOM WHL FLANGE V2.09.12

REF	PART #	DESCRIPTION
30	P2790030	GRINDING WHEEL 5/8"5/A/0/120G
31V2	P2790031V2	ALUM TOP WHL FLANGE V2.09.12
32V2	P2790032V2	CAP SCREW M5-.8 X 20 V2.05.15
33	P2790033	HEX NUT 5/16-18
34	P2790034	TABLE LOCK LEVER
35	P2790035	TABLE LEADSCREW 5/8-11 X 3-3/4
36	P2790036	STEEL BALL 5MM
37	P2790037	HANDWHEEL
38V2	P2790038V2	HEX BOLT 1/4-20 X 1-3/4 V2.09.12
39	P2790039	CAP SCREW M5-.8 X 35
40V3	P2790040V3	ALUM WHEEL GUARD V3.02.16
40A	P2790040A	STONE HEIGHT LABEL
41	P2790041	SPACER
42V3	P2790042V3	GRINDING TABLE V3.04.24
44	P2790044	CAPACITOR CLIP
45	P2790045	FLAT WASHER 5/16
46	P2790046	WIRE NUT 14-22 AWG
47	P2790047	DRESSING STONE
48	P2790048	STRAIN RELIEF STRAIGHT LT
49V2	P2790049V2	MACHINE ID LABEL CSA V2.09.12
50	P2790050	RESPIRATOR/GLASSES 1.5W X 2.5H
51	P2790051	READ MANUAL 1.5W X 2.5H
52	P2790052	EXT TOOTH WASHER #10
53	P2790053	ELECTRICITY 0.5W X 0.4H
54	P2790054	CORD CLIP ACC-3
55	P2790055	FLAT WASHER #8
56	P2790056	FLAT WASHER #10
57	P2790057	ADJUSTABLE GUARD 170 X 80 X 3MM
58	P2790058	FLAT WASHER #10
59	P2790059	SET SCREW 1/4-20 X 1-1/4
60	P2790060	HEX BOLT 1/4-20 X 5/8

