



NAIL GUNS & STAPLERS

MODEL G1847 / G1852 / G1861 / G3811

PARTS LIST

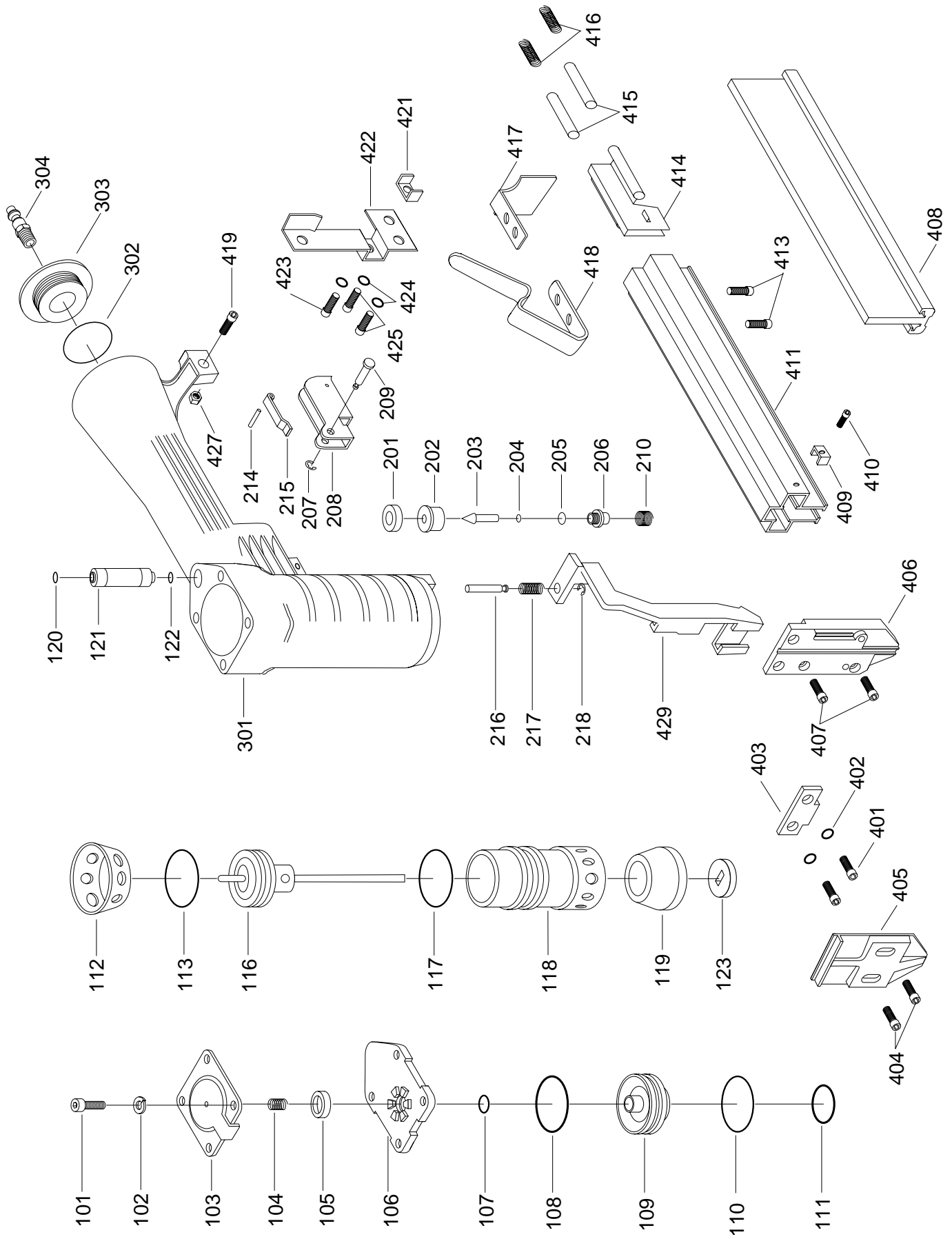


COPYRIGHT © 1990 BY GRIZZLY INDUSTRIAL, INC. TX 3 176 561
**WARNING: NO PORTION OF THIS MANUAL MAY BE REPRODUCED IN ANY SHAPE
OR FORM WITHOUT THE WRITTEN APPROVAL OF GRIZZLY INDUSTRIAL, INC.**
REVISED MARCH, 1999 PRINTED IN USA

DISCONTINUED MACHINE PARTS LIST DISCLAIMER

THESE PARTS REPRESENT THE LAST CONFIGURATION OF THE MACHINE BEFORE IT WAS DISCONTINUED. MACHINE CONFIGURATIONS MAY HAVE CHANGED AS PRODUCT IMPROVEMENTS WERE INCORPORATED. IF YOU OWN AN EARLIER VERSION OF THE MACHINE, THIS PARTS LIST MAY NOT EXACTLY DEPICT YOUR MACHINE. CONTACT CUSTOMER SERVICE IF YOU HAVE ANY QUESTIONS ABOUT PART DIFFERENCES. PREVIOUS PARTS LIST VERSIONS ARE NOT AVAILABLE ONLINE.

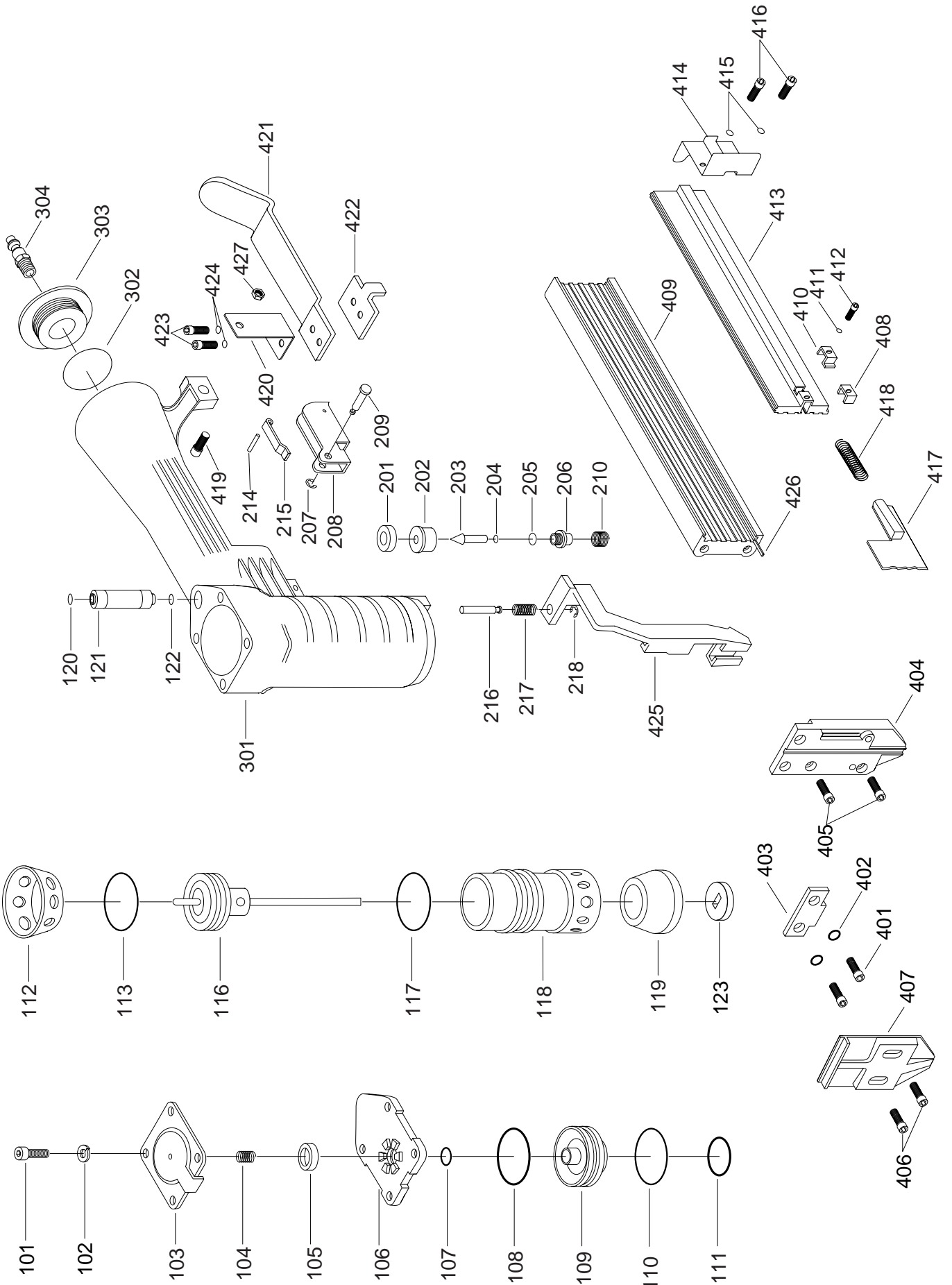
G1847 PARTS DIAGRAM



REF	PART #	DESCRIPTION
101	PSB15M	CAP SCREW M5 - 0.8 x 20
102	PLW01M	LOCK WASHER 5mm
103	P1847103	DEFLECTOR
104	P1847104	SPRING
105	P1847105	SEAL
106	P1847106	CAP
107	P1847107	O-RING
108	P1847108	O-RING
109	P1847109	HD VALVE PISTON
110	P1847110	O-RING
111	P1847111	O-RING
112	P1847112	COLLAR
113	P1847113	O-RING
116	P1847116	MAIN PISTON UNIT
117	P1847117	O-RING
118	P1847118	CYLINDER
119	P1847119	BUMPER
120	P1847120	O-RING
121	P1847121	TUBE
122	P1847122	O-RING
123	P1847123	JOINT GUIDE
201	P1847201	SEAL
202	P1847202	TRIGGER VALVE HEAD
203	P1847203	TRIGGER VALVE STEM
204	P1847204	O-RING
205	P1847205	O-RING
206	P1847206	TRIGGER VALVE GUIDE
207	PEC01M	E-CLIP 3mm
208	P1847208	TRIGGER
209	P1847209	STEPPED PIN
210	P1847210	SPRING
214	PRP11M	ROLL PIN 2.5 x 16mm
215	P1847215	SAFETY LEVER

REF	PART #	DESCRIPTION
216	P1847216	SHAFT
217	P1847217	SPRING
218	PEC02M	E-CLIP 4mm
301	P1847301	NAILER BODY
302	P1847302	O-RING
303	P1847303	NIPPLE
304	G2308	AIR FITTING
401	PSB15M	CAP SCREW M5 - 0.8 x 20
402	PLW01M	LOCK WASHER 5mm
403	P1847403	DRIVER GUIDE COVER B
404	PSB17M	CAP SCREW M4 - 0.7 x 10
405	P1847405	NOSEPIECE COVER
406	P1847406	NOSEPIECE
407	PSB41M	CAP SCREW M4 - 0.7 x 14
408	P1847408	MAGAZINE UNIT A
409	P1847409	STOPPER
410	PSB18M	CAP SCREW M4 - 0.7 x 8
411	P1847411	MAGAZINE UNIT B
413	PSB18M	CAP SCREW M4 - 0.7 x 8
414	P1847414	PUSHER
415	P1847415	PUSHER PIN
416	P1847416	SPRING
417	P1847417	REAR PLATE
418	P1847418	MAGAZINE LATCH
419	PSB16M	CAP SCREW M4 - 0.7 x 16
421	P1847421	STOPPER
422	P1847422	FIXED PLATE
423	PSB18M	CAP SCREW M4 - 0.7 x 8
424	PLW02M	LOCK WASHER 4mm
425	PSB17M	CAP SCREW M4 - 0.7 x 10
427	PLN01M	LOCK NUT M4 - 0.7
429	P1847429	SAFETY
430	P1847430	O-RING KIT

G1852 PARTS DIAGRAM

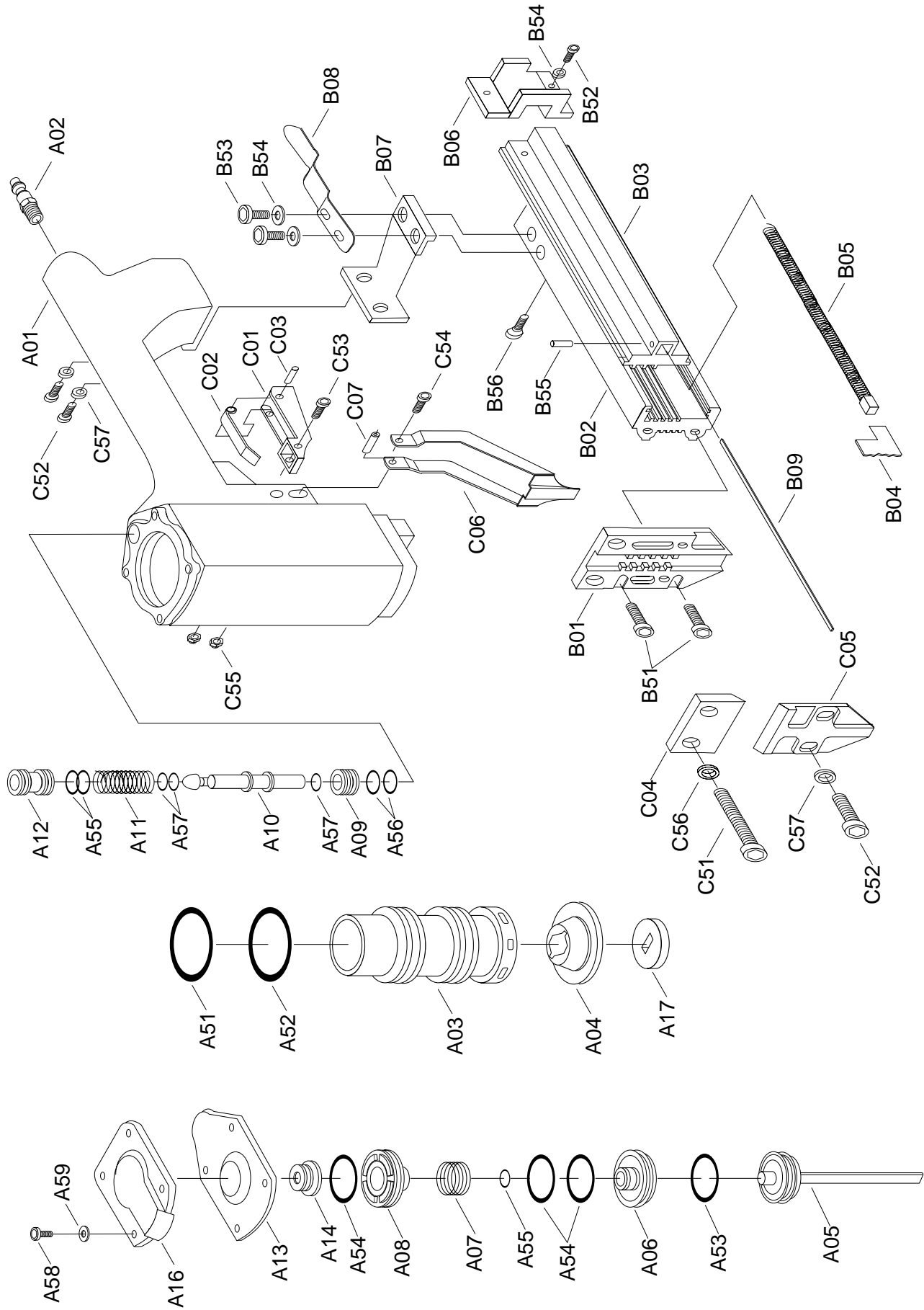


D-

REF	PART #	DESCRIPTION
101	PSB15M	CAP SCREW M5 - 0.8 x 20
102	PLW01M	LOCK WASHER 5mm
103	P1847103	DEFLECTOR
104	P1847104	SPRING
105	P1847105	SEAL
106	P1847106	CAP
107	P1847107	O-RING
108	P1847108	O-RING
109	P1847109	HD VALVE PISTON
110	P1847110	O-RING
111	P1847111	O-RING
112	P1852112	COLLAR
113	P1847113	O-RING
116	P1852114	MAIN PISTON UNIT
117	P1847117	O-RING
118	P1847118	CYLINDER
119	P1847119	BUMPER
120	P1847120	O-RING
121	P1847121	TUBE
122	P1847122	O-RING
123	P1847123	JOINT GUIDE
201	P1847201	SEAL
202	P1847202	TRIGGER VALVE HEAD
203	P1847203	TRIGGER VALVE STEM
204	P1847204	O-RING
205	P1847205	O-RING
206	P1847206	TRIGGER VALVE GUIDE
207	PEC01M	E-CLIP 3mm
208	P1847208	TRIGGER
209	P1847209	STEPPED PIN
210	P1847210	SPRING
214	PRP11M	ROLL PIN 2.5 x 16mm
215	P1847215	SAFETY LEVER
216	P1847216	SHAFT

REF	PART #	DESCRIPTION
217	P1847217	SPRING
218	PEC02M	E-CLIP 4mm
301	P1847301	NAILER BODY
302	P1847302	O-RING
303	P1847303	NIPPLE
304	G2308	AIR FITTING
401	PSB15M	CAP SCREW M5 - 0.8 x 20
402	PLW01M	LOCK WASHER 5mm
403	P1847403	DRIVER GUIDE COVER B
404	P1847404	NOSEPIECE
405	PSB41M	CAP SCREW M4 - 0.7 x 14
406	PSB17M	CAP SCREW M4 - 0.7 x 10
407	P1852407	NOSEPIECE COVER
408	P1852408	STOPPER
409	P1852409	MAGAZINE UNIT A
410	P1852410	STOPPER
411	PLW02M	LOCK WASHER 4 mm
412	PSB17M	CAP SCREW M4 - 0.7 x 10
413	P1852413	MAGAZINE UNIT B
414	P1852414	REAR PLATE
415	PLW02M	LOCK WASHER 4mm
416	PSB18M	CAP SCREW M4 - 0.7 x 8
417	P1852417	PUSHER
418	P1852418	SPRING
419	PSB18M	CAP SCREW M4 - 0.7 x 8
420	P1852420	FIXED PLATE
421	P1852421	MAGAZINE LATCH
422	P1852422	STOPPER
423	PSB23M	CAP SCREW M4 - 0.7 x 12
424	PLW02M	LOCK WASHER 4mm
425	P1852425	SAFETY
426	P1852426	FLAT BAR
427	PLN01M	LOCK NUT M4 - 0.7
428	P1847430	O-RING KIT

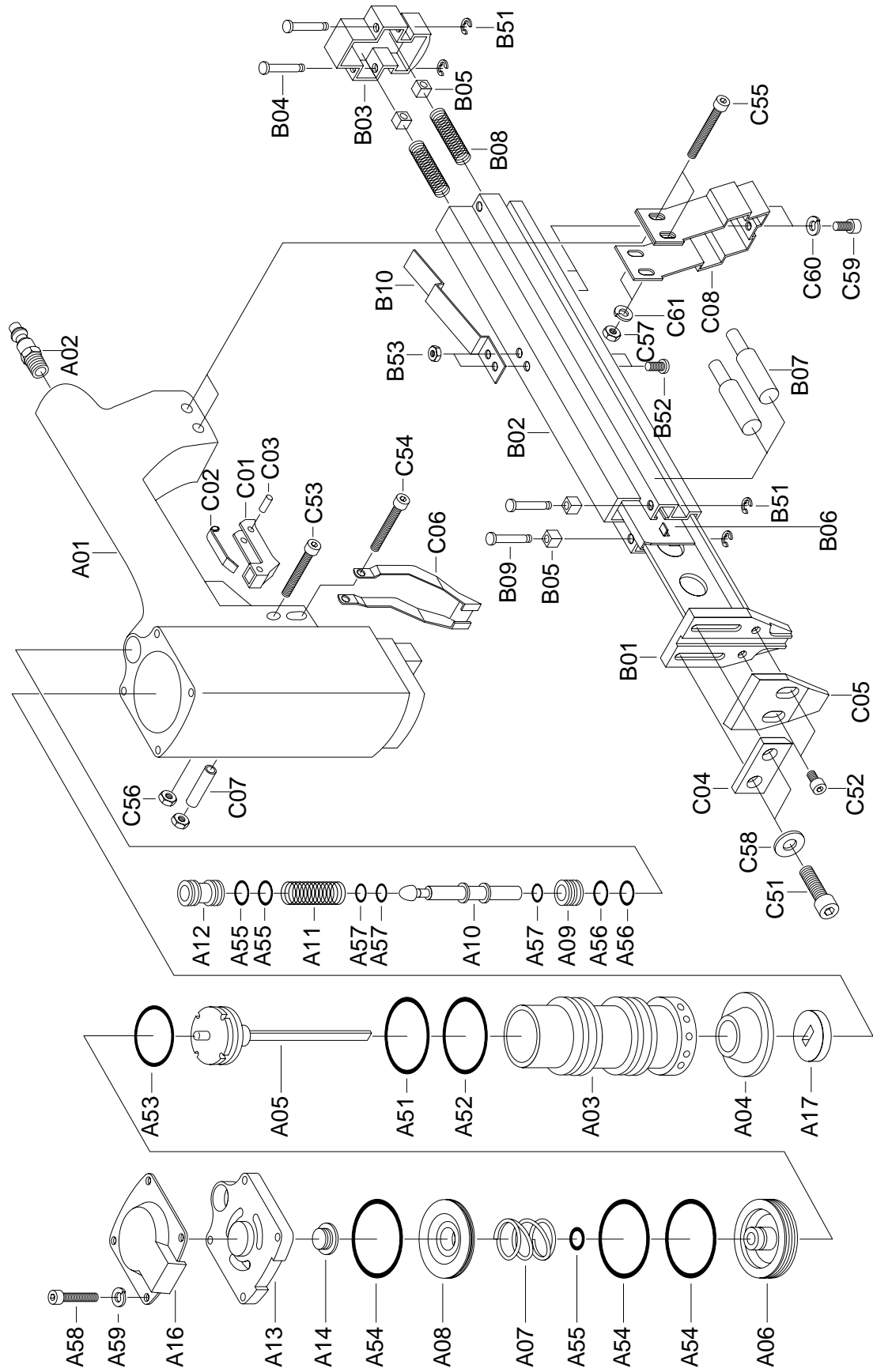
G1861 PARTS DIAGRAM



REF	PART #	DESCRIPTION
A01	P1861A01	NAILER BODY
A02	G2308	AIR FITTING
A03	P1861A03	CYLINDER
A04	P1861A04	BUMPER
A05	P1861A05	MAIN PISTON UNIT
A06	P1861A06	GASKET SET
A07	P1861A07	SPRING
A08	P1861A08	HD VALVE PISTON
A09	P1861A09	COPPER COVER
A10	P1861A10	SHAFT, VALVE
A11	P1861A11	SPRING
A12	P1861A12	COLLAR
A13	P1861A13	CAP
A14	P1861A14	INSERT OF CAP
A16	P1861A16	DEFLECTOR
A17	P1861A17	JOINT GUIDE
A51	P1861A51	O-RING
A52	P1861A52	O-RING
A53	P1861A53	O-RING
A54	P1861A54	O-RING
A55	P1861A55	O-RING
A56	P1861A56	O-RING
A57	P1861A57	O-RING
A58	PSB15M	CAP SCREW M5 - 0.8 x 20
A59	PLW01M	LOCK WASHER 5mm
A60	P1861A60	O-RING KIT
B01	P1861B01	NOSEPIECE
B02	P1861B02	MAGAZINE UNIT A

REF	PART #	DESCRIPTION
B03	P1861B03	MAGAZINE UNIT B
B04	P1861B04	PUSHER
B05	P1861B05	SPRING
B06	P1861B06	REAR PLATE
B07	P1861B07	FIXED PLATE
B08	P1861B08	MAGAZINE LATCH
B09	P1861B09	FLAT BAR
B51	PSB16M	CAP SCREW M4 - 0.7 x 16
B52	PSB17M	CAP SCREW M4 - 0.7 x 10
B53	PSB18M	CAP SCREW M4 - 0.7 x 8
B54	PLW02M	LOCK WASHER 4mm
B55	PSS22M	SETSCREW M4 - 0.7 x 12
B56	P1861B56	SPECIAL BOLT
C01	P1861C01	TRIGGER
C02	P1861C02	SAFETY LEVER
C03	PRP02M	ROLL PIN 3 x 16
C04	P1861C04	DRIVER GUIDE COVER B
C05	P1861C05	NOSEPIECE COVER
C06	P1861C06	SAFETY
C07	P1861C07	SPACER SLEEVE
C51	PSB07M	CAP SCREW M6 - 1.0 x 30
C52	PSB20M	CAP SCREW M5 - 0.8 x 14
C53	PSB21M	CAP SCREW M4 - 0.7 x 30
C54	PSB22M	CAP SCREW M4 - 0.7 x 35
C55	PLN01M	LOCK NUT M4 - 0.7
C56	PLW03M	LOCK WASHER 6mm
C57	PLW01M	LOCK WASHER 5mm

G3811 PARTS DIAGRAM



REF	PART #	DESCRIPTION
A01	P3811A01	NAILER BODY
A02	G2308	AIR FITTING
A03	P1861A03	CYLINDER
A04	P1861A04	BUMPER
A05	P3811A05	MAIN PISTON UNIT
A06	P1861A06	GASKET SET
A07	P1861A07	SPRING
A08	P1861A08	HD VALVE PISTON
A09	P1861A09	COPPER COVER
A10	P1861A10	SHAFT, VALVE
A11	P1861A11	SPRING
A12	P1861A12	COLLAR
A13	P1861A13	CAP
A14	P1861A14	INSERT OF CAP
A16	P1861A16	DEFLECTOR
A17	P3811A17	JOINT GUIDE
A51	P1861A51	O-RING
A52	P1861A52	O-RING
A53	P1861A53	O-RING
A54	P1861A54	O-RING
A55	P1861A55	O-RING
A56	P1861A56	O-RING
A57	P1861A57	O-RING
A58	PSB15M	CAP SCREW M5 - 0.8 x 20
A59	PLW01M	LOCK WASHER 5mm
A60	P1861A60	O-RING KIT
B01	P3811B01	DRIVER GUIDE
B02	P3811B02	COVER ASSEMBLY
B03	P3811B03	PLASTIC COVER

REF	PART #	DESCRIPTION
B04	P3811B04	FIXED PIN
B05	P3811B05	SPRING STOPPER
B06	P3811B06	PUSHER
B07	P3811B07	FIXED PIN
B08	P3811B08	PUSHER SPRING
B09	P3811B09	FIXED PIN
B10	P3811B10	STOPPER
B51	P3811B51	E-CLIP
B52	PSB17M	CAP SCREW M4 - 0.7 x 10
B53	P3811B53	HEX NUT
C01	P1861C01	TRIGGER
C02	P1861C02	SAFETY LEVER
C03	PRP02M	ROLL PIN 3 x 16
C04	P3811C04	DRIVER GUIDE COVER B
C05	P3811C05	DRIVER GUIDE COVER A
C06	P3811C06	SAFETY
C07	P1861C07	SPACER SLEEVE
C08	P3811C08	ATTACHING PLATE
C51	PSB07M	CAP SCREW M6 - 1.0 x 30
C52	PSB20M	CAP SCREW M5 - 0.8 x 14
C53	PSB21M	CAP SCREW M4 - 0.7 x 30
C54	PSB22M	CAP SCREW M4 - 0.7 x 35
C55	P3811C55	CAP SCREW
C56	PLN01M	LOCK NUT M4 - 0.7
C57	P3811C57	LOCK NUT
C58	PLW03M	LOCK WASHER 6mm
C59	P3811C59	CAP SCREW
C60	P3811C60	LOCK WASHER
C61	P3811C61	LOCK WASHER