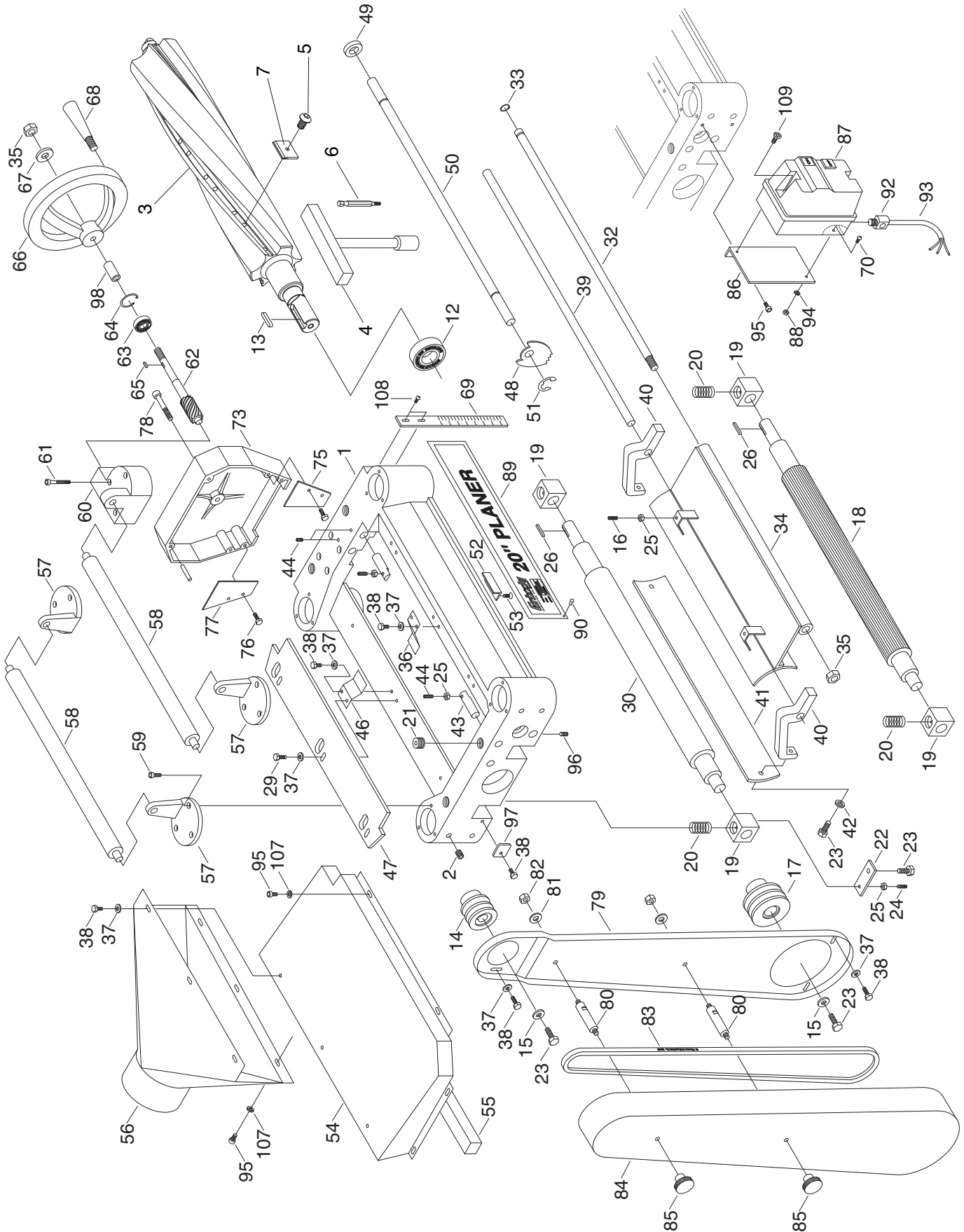


SECTION 8: PARTS

G1033ZX Headstock

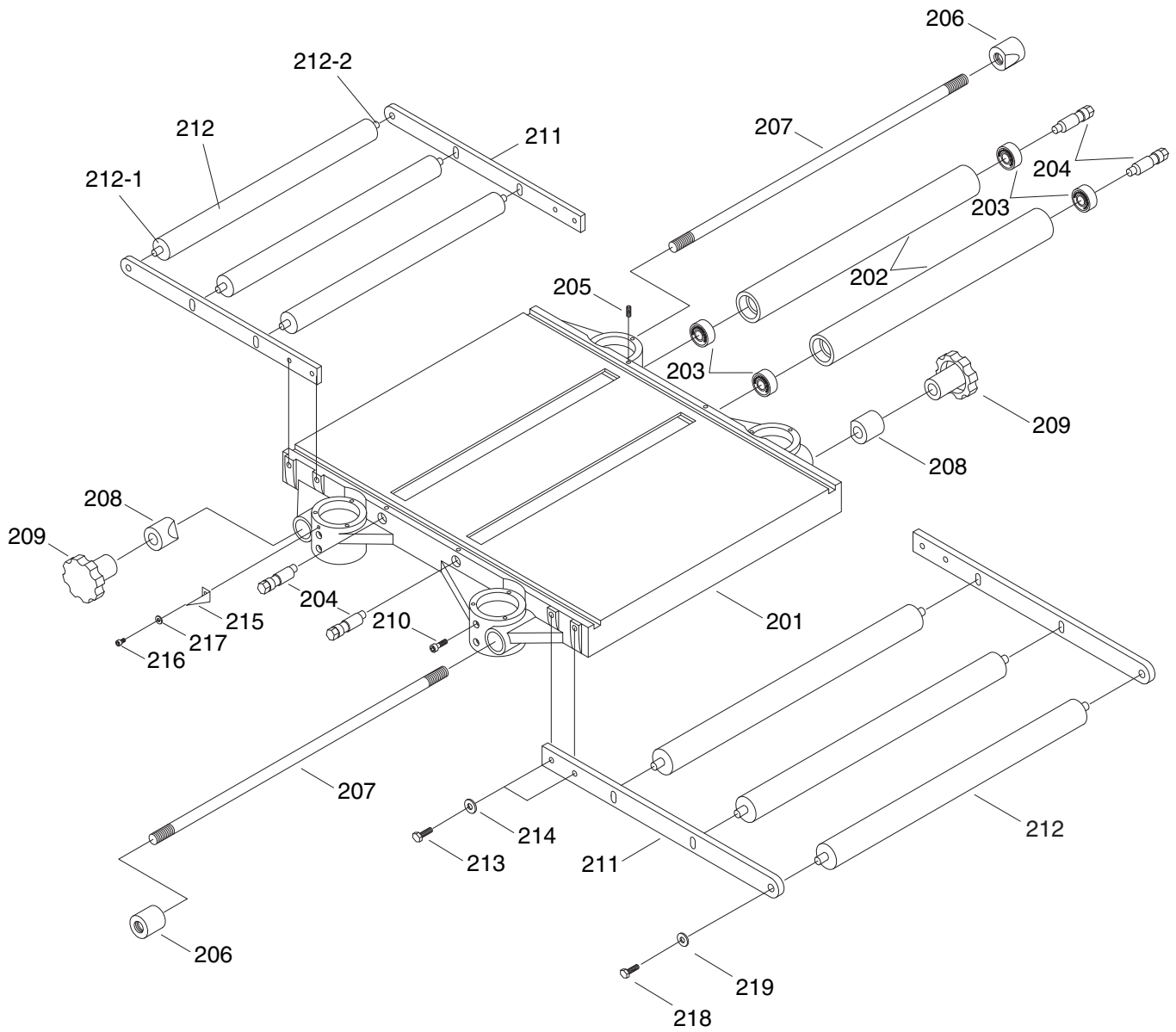


REF	PART #	DESCRIPTION
1	P1033001	HEAD CASTING
2	PSS13M	SETSCREW M10-1.5 X 12
3	P1033ZX003	SPIRAL CUTTERHEAD
4	P1033ZX004	T-HANDLE WRENCH
5	PFH35M	FLAT HD TORX M6-1 X 15
6	P1033ZX006	TORX BIT T-20
7	P1033ZX007	INDEXABLE CARBIDE INSERT
12	P6206	BEARING 6206
13	PK09M	KEY 8 X 8 X 36
14	P1021007	CUTTERHEAD PULLEY
15	P1033015	WASHER 5/16" X 1-3/16"
16	PSS12M	SETSCREW M6-1.0 X 25
17	P1033Z017	MOTOR PULLEY
17-1	PSS04M	SET SCREW M6-1 X 12
18	P1033018	INFEED ROLLER
19	P1021153	BUSHING BLOCK
20	P1021152	COMPRESSION SPRING
21	P1033021	SPECIAL OILER SETSCREW
22	P1021092	PLATE
23	PB09M	HEX BOLT M8-1.25 X 20
24	PSS11M	SETSCREW M6-1.0 X 16
25	PN01M	HEX NUT M6-1.0
26	PK21M	KEY 5 X 5 X 23
29	PB18M	HEX BOLT M6-1.0 X 15
30	P1033030	OUTFEED ROLLER
32	P1033032	LOCKING ROD
33	PR03M	EXT RETAINING RING 12MM
34	P1033034	CHIP BREAKER
35	PN09M	HEX NUT M12-1.75
36	P1021028	CHIP BREAKER SPRING PLATE
37	PW03M	FLAT WASHER 6MM
38	PB02M	HEX BOLT M6-1 X 12
39	P1033039	SHAFT
40	P1033040	BRACKET
41	P1033041	PRESSURE BAR
42	PLW04M	LOCK WASHER 8MM
43	P1033043	SHAFT
44	PSS11M	SETSCREW M6-1.0 X 16
46	P1033046	SPRING PLATE
47	P1033047	CHIP DEFLECTOR
48	P1021161	ANTI-KICKBACK FINGER
49	P1021160	SPACER
50	P1033050	SHAFT
51	PEC06M	E-CLIP 20MM
52	P1033052	DEPTH LIMITER

REF	PART #	DESCRIPTION
53	PFH02M	FLT HD SCR M6-1 X 12
54	P1033054	TOP COVER
55	P1033055	GASKET
56	P1033056	DUST HOOD 5"
57	P1033057	ROLLER STAND
58	P1033058	ROLLER
59	PSB01M	CAP SCREW M6-1.0 X 16
60	P1033060	WORM GEAR BOX
61	PSB37M	CAP SCREW M6-1.0 X 50
62	P1033062	WORM
63	P6201	BEARING 6201
64	PR29M	INT RETAINING RING 32MM
65	PK05M	KEY 4 X 4 X 10
66	P1033066	HANDWHEEL
67	P1033067	WASHER 1/2" X 1-1/8"
68	P1021032	HANDLE
69	P1033069	SCALE
70	PS08M	PHLP HD SCR M5-0.8 X 12
73	P1033073	CHAIN DRIVE COVER
75	P1033075	LEFT BACKING PLATE
76	PB04M	HEX BOLT M6-1.0 X 10
77	P1033077	RIGHT BACKING PLATE
78	PSB12M	CAP SCREW M8-1.25 X 16
79	P1033079	PULLEY GUARD
80	P1033080	STUD
81	PW07	FLAT WASHER 5/16"
82	PN02	HEX NUT 5/16" X 18
83	PVM58	V-BELT M58 3L580
84	P1033084	PULLEY COVER
85	P1033085	ROUND KNOB 5/16-18
86	P1033Z086	SWITCH BRACKET
87	P1033Z087	MAGNETIC SWITCH MA-30
88	PN06M	HEX NUT M5-0.8
89	P1033089	NAME PLATE
90	P1183108	RIVET
92	P1033Z092	STRAIN RELIEF MG25A
93	P1033Z093	MOTOR CORD 10AWG X 3C
94	PTLW01	EXT TOOTH WASHER #10
95	PSB04M	CAP SCREW M6-1.0 X 10
96	PSS14M	SETSCREW M8-1.25 X 12
97	P1033097	RETAINER
98	P1033098	COLLAR
107	PLW03M	LOCK WASHER 6MM
108	PS09M	PHLP HD SCR M5-0.8 X 10
109	PSW01-1	SWITCH BOX PLASTIC SCREW



G1033ZX Table

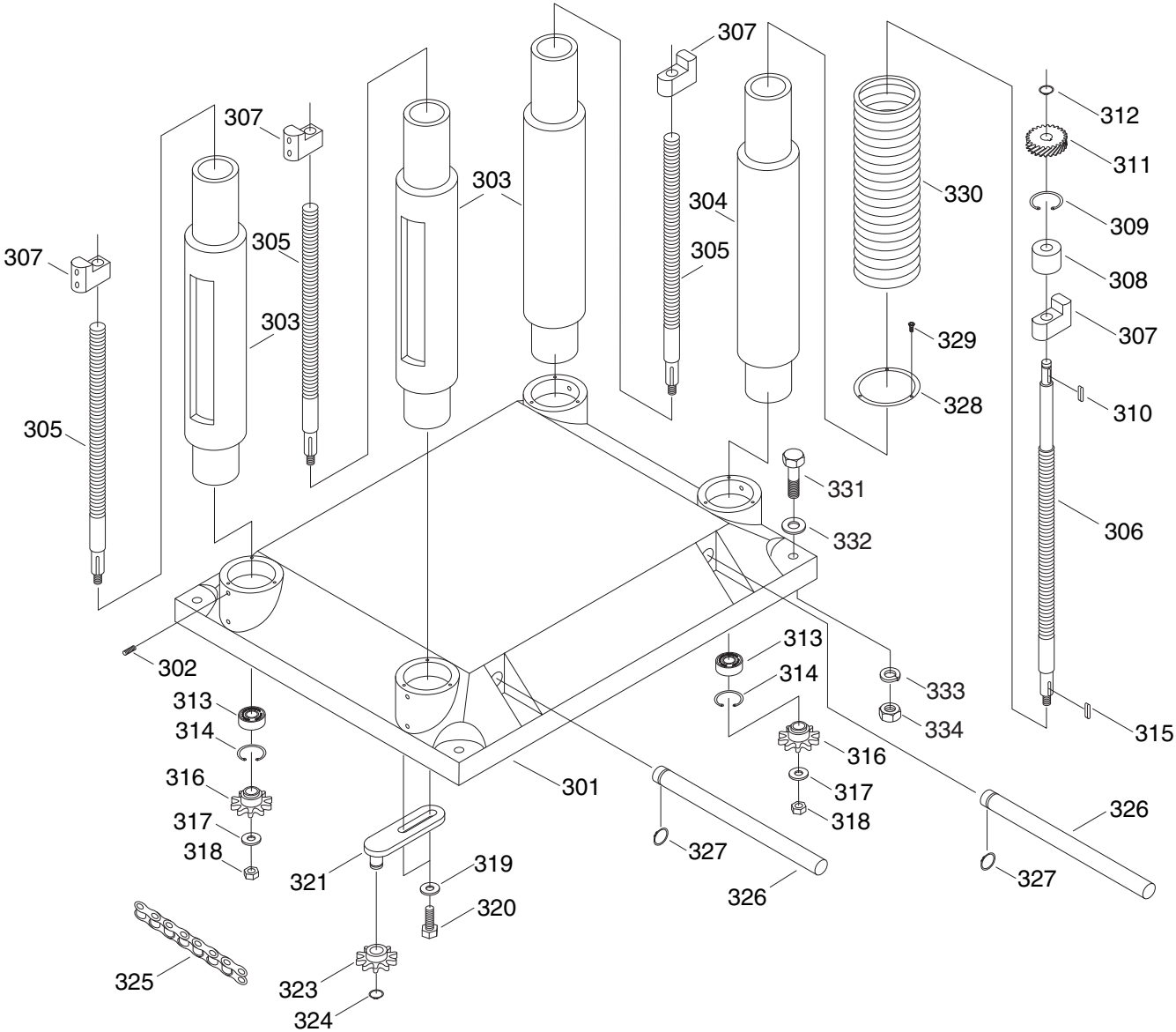


REF	PART #	DESCRIPTION
201	P1033201	TABLE
202	P1033202	BED ROLLER
203	P6201	BEARING 6201
204	P1033204	ECCENTRIC SHAFT
205	PSS04M	SETSCREW M6-1.0 X 12
206	P1021143	THREADED GIB
207	P1033207	LOCK ROD
208	P1021146	GIB
209	P1021145	8 PT STAR KNOB M12-1.75
210	PSB14M	CAP SCREW M10-1.25 X 20
211	P1033211A	3-HOLE ROLLER BRACKET

REF	PART #	DESCRIPTION
212	P1033212A	CHROME EXT ROLLER
212-1	P1033Z212-1	PLASTIC BUSHING
212-2	P1033Z212-2	ROLLER ROD
213	PB32M	HEX BOLT M10-1.5 X 25
214	PW04M	FLAT WASHER 10MM
215	P1033071	POINTER
216	PSB04M	CAP SCREW M6-1.0 X10
217	PLW03M	LOCK WASHER 6MM
218	PB02M	HEX BOLT M6-1 X 12
219	PW03M	FLAT WASHER 6MM



G1033ZX Base/Column

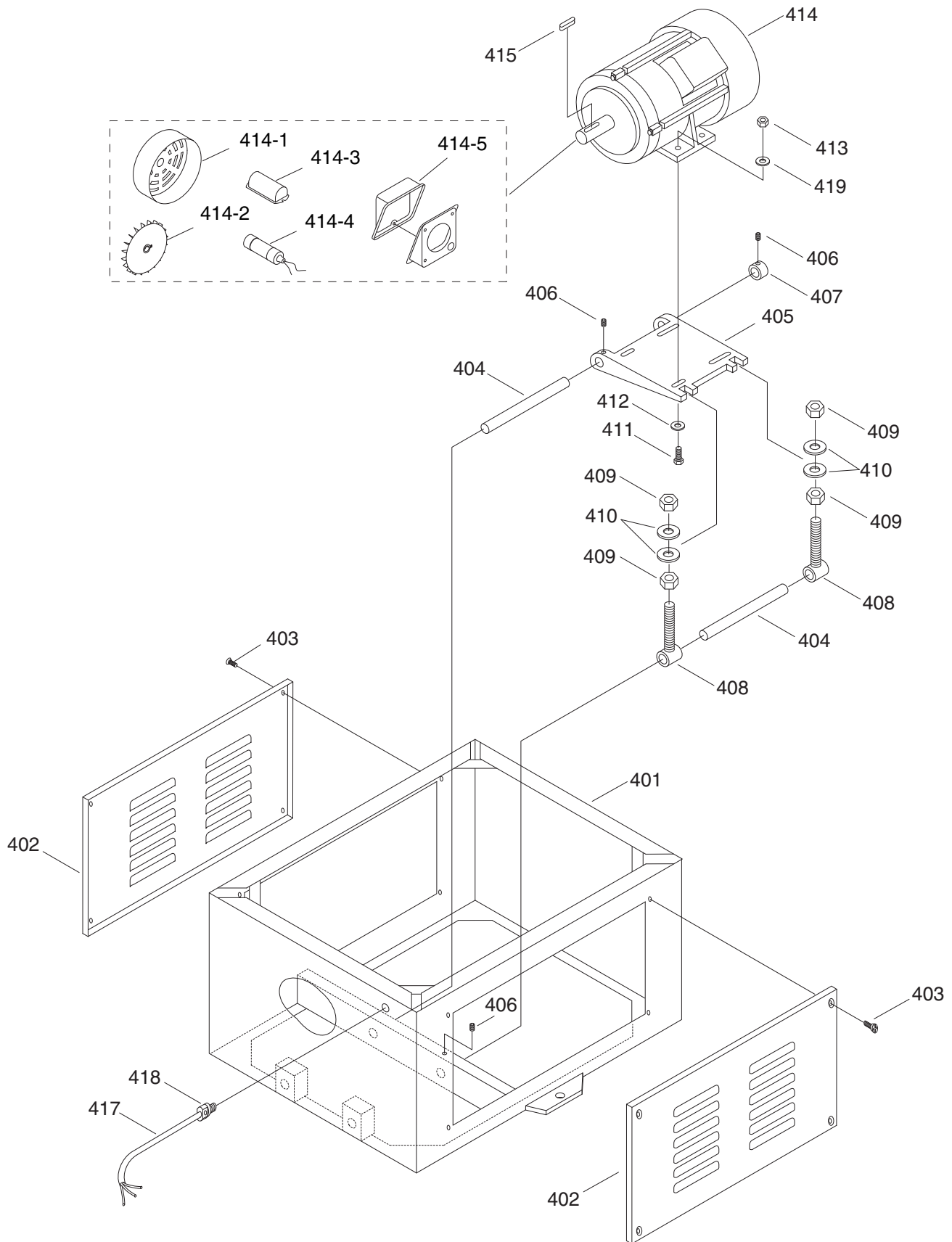


REF	PART #	DESCRIPTION
301	P1033301	BASE
302	PSS13M	SETSCREW M10-1.5 X 12
303	P1033303	COLUMN
304	P1033304	COLUMN
305	P1033305	LEADSCREW
306	P1033306	LEADSCREW
307	P1033307	LEADSCREW NUT
308	P1033308	BUSHING
309	PR22M	INT RETAINING RING 38MM
310	PK10M	KEY 5 X 5 X 12
311	P1033311	GEAR
312	PR03M	EXT RETAINING RING 12MM
313	P6202	BALL BEARING 6202
314	PR21M	INT RETAINING RING 35MM
315	PK08M	KEY 5 X 5 X 16
316	P1033316	SPROCKET
317	PW04M	FLAT WASHER 10MM

REF	PART #	DESCRIPTION
318	PN08M	HEX NUT M10-1.25
319	PW01M	FLAT WASHER 8MM
320	PB07M	HEX BOLT M8-1.25 X 25
321	P1033321	BRACKET W/ SHAFT
323	P1033323	SPROCKET
324	PR05M	EXT RETAINING RING 15MM
325	P1033325	CHAIN
326	P1033326	LIFTING POST
327	PR08M	EXT RETAINING RING 19MM
328	P1033328	PIPE BAND
329	P1033329	TAP SCREW M5 X 10
330	P1033330	EXPANSION BAND
331	PB33M	HEX BOLT M12-1.75 X 50
332	PW06M	FLAT WASHER 12MM
333	PLW05M	LOCK WASHER 12MM
334	PN09M	HEX NUT M12-1.75



G1033ZX Stand and Motor



REF	PART #	DESCRIPTION
401	P1033Z401	STAND
402	P1033402	COVER
403	PFH06M	FLAT HD SCREW M6-1.0 X 20
404	P1033404	BAR
405	P1033Z405	MOTOR MOUNT
406	PSS20M	SETSCREW M8-1.25 X 8
407	P1033407	COLLAR
408	P1033408	ADJUSTABLE BOLT
409	PN09M	HEX NUT M12-1.75
410	PW01	FLAT WASHER 1/2"
411	PB07M	HEX BOLT M8-1.25 X 25
412	P1033412	WASHER 5/16" X 7/8"

REF	PART #	DESCRIPTION
413	PN03M	HEX NUT M8-1.25
414	P1033Z414	5 HP MOTOR
414-1	P1033Z414-1	MOTOR FAN COVER
414-2	P1033Z414-2	MOTOR FAN
414-3	P1033Z414-3	CAPACITOR COVER
414-4	P1033Z414-4	S CAP. 800M 250V 1-3/8 X 3-3/4
414-5	P1033Z414-5	JUNCTION BOX
415	PK36M	KEY 8 X 7 X 55
417	P1033417	POWER CORD 10AWG X 3C
418	P1033Z092	STRAIN RELIEF MG25A
419	PW01M	FLAT WASHER 8MM

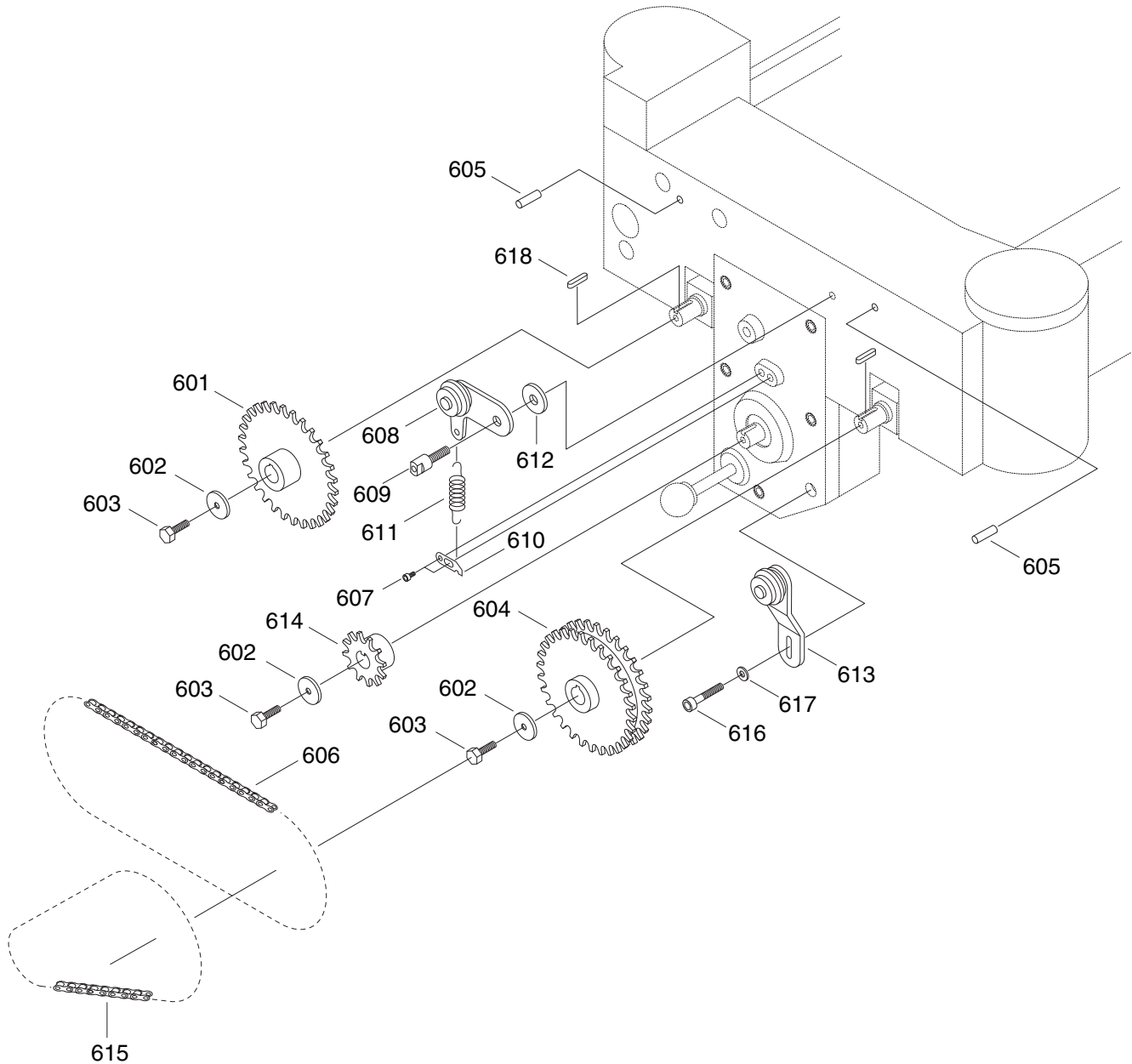


REF	PART #	DESCRIPTION
501	P1021109	GEAR BOX
502	P1021108	OIL SEAL 28-40-8
503	P6204	BALL BEARING 6204
504	P1021112	GEAR
505	PSB02M	CAP SCREW M6-1.0 X 20
506	P1033028	FLAT WASHER 1/4" X 7/8"
507	PSB28M	CAP SCREW M6-1.0 X 15
508	P6201	BALL BEARING 6201
509	P1021115	GEAR
510	P1021117	GEAR AND SHAFT
511	PK10M	KEY 5 X 5 X 12
512	P1021120	GEAR
513	PK06M	KEY 5 X 5 X 10
514	P1021119	GEAR, 2-SPEED
517	P1021121	DOUBLE GEAR
520	PK11M	KEY 6 X 6 X 40

REF	PART #	DESCRIPTION
521	P1021128	BALL 6MM
522	P1021127	COMPRESSION SPRING
523	P1021122	SHAFT
524	P1021125	OIL SEAL 25 X 47 X 7
529	P1021129	SHIFTER
530	P1021131	SHIFTING SHAFT HANDLE
531	PW03M	FLAT WASHER 6MM
532	PB02M	HEX BOLT M6-1.0 X 12
533	P1021132	O-RING 12MM
534	P1021134	BALL KNOB 3/8-16
535	P1021136	PIN
536	P1021110	GASKET
537	P1021133	GEAR CASE
538	PSB06M	CAP SCREW M6-1.0 X 25
539	P1021107	OIL PLUG
540	PSB05M	CAP SCREW M8-1.25 X 50



G1033ZX Chain Drive



REF	PART #	DESCRIPTION
601	P1021164	SPROCKET
602	P1033028	WASHER 1/4" X 7/8"
603	PSB68M	CAP SCREW M6-1 X 8
604	P1021149	SPROCKET
605	PRP07M	ROLL PIN 6X20
606	P1033091	CHAIN 33 LINKS
607	PSB04M	CAP SCREW M6-1.0 X 10
608	P1033099	CHAIN TENSIONER
609	P1033102	SHAFT
610	P1033103	HANGER
611	P1033104	EXTENSION SPRING
612	P1033105	SPACER

REF	PART #	DESCRIPTION
613	P1033106	OUTER CHAIN TENSIONER
614	P1021137	SPROCKET
615	P1033527	CHAIN 25 LINKS
616	PSB48M	CAP SCREW M6-1.0 X 35
617	PW03M	FLAT WASHER 6MM
618	PK21M	KEY 5 X 5 X 23
700	P1033ZX700	MACHINE ID LABEL
701	PLABEL-12	READ MANUAL LABEL
702	PLABEL-11	SAFETY GLASSES LABEL
703	PLABEL-14	ELECTRICITY LABEL
704	P1033ZX704	COVER LABEL
705	PLABEL-36	UNPLUG 220V LABEL

