

# *Grizzly* *Industrial, Inc.*®

## DUST COLLECTOR MODEL G1028Z/G1029 INSTRUCTION MANUAL

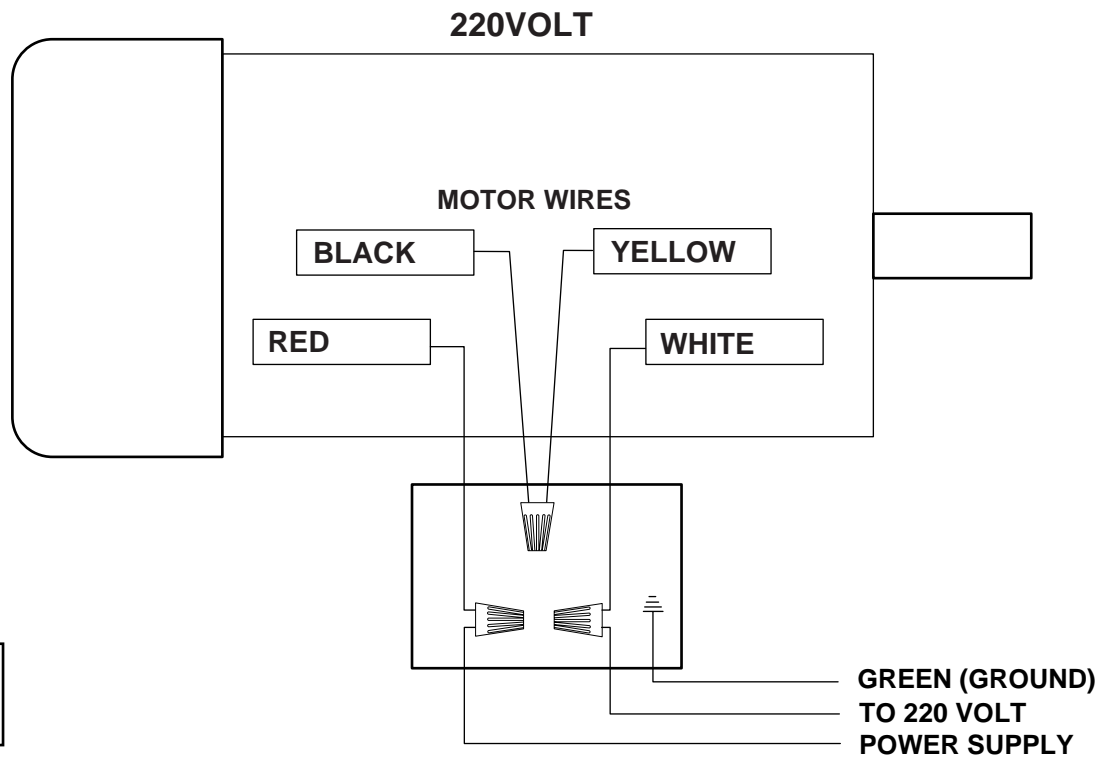
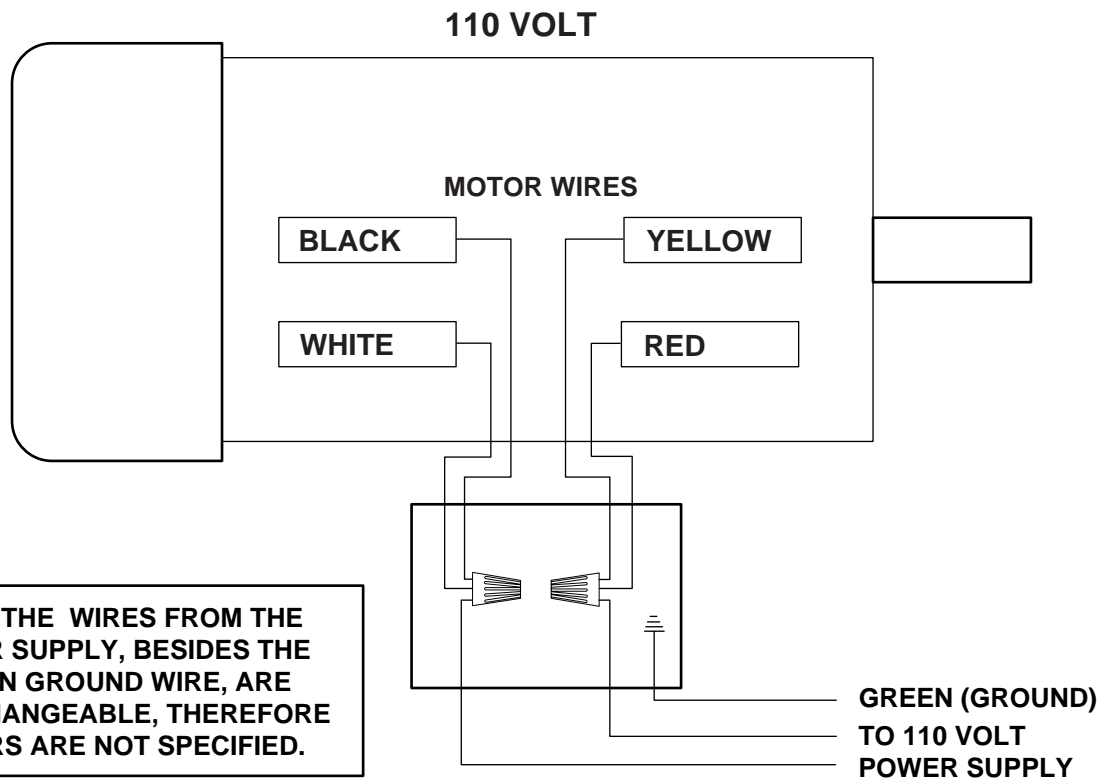


COPYRIGHT © 1991 BY GRIZZLY IMPORTS, INC. REG # TX 3170576  
**WARNING: NO PORTION OF THIS MANUAL MAY BE REPRODUCED IN ANY SHAPE  
OR FORM WITHOUT THE WRITTEN APPROVAL OF GRIZZLY IMPORTS, INC.**  
REVISED FEBRUARY, 2002. PRINTED IN TAIWAN

#### PARTS LIST DISCLAIMER

THIS PARTS LIST AND DRAWINGS REPRESENT THE CONFIGURATION OF THE MACHINE AS IT IS CURRENTLY BEING SHIPPED. THE MACHINE CONFIGURATION CAN CHANGE AS PRODUCT IMPROVEMENTS ARE INCORPORATED. IF YOU OWN AN EARLIER VERSION OF THE MACHINE, THIS PARTS LIST MAY NOT DEPICT YOUR MACHINE EXACTLY. CONTACT CUSTOMER SERVICE IF YOU HAVE ANY QUESTIONS ABOUT PART DIFFERENCES. PREVIOUS PARTS LIST VERSIONS ARE NOT AVAILABLE ONLINE.

# WIRE DIAGRAM





REF	PART #	DESCRIPTION
1	P1028001	CASTER
2	PFB01	FLANGE BOLT $\frac{5}{16}$ "-18 x $\frac{1}{2}$ "
4	P1028004	BASE PLATE
5	PS06	PHLP HD SCR 10-24 X $\frac{3}{8}$ "
6	P1028Z006	INLET COVER (G1028Z)
6A	P1029006A	INLET COVER (G1029)
7	P1028007	CAP SCREW
8	PB09	HEX BOLT $\frac{5}{16}$ "-18 x $\frac{1}{2}$ "
9	P1028009	SPECIAL WASHER
10	P1028010	10" IMPELLER (G1028Z)
10	P1029010	10" IMPELLER (G1029)
11	P1028011	COLLECTOR BODY
12	PW07	FLAT WASHER $\frac{5}{16}$ "
14	PFB01	FLANGE BOLT $\frac{5}{16}$ "-18 x $\frac{1}{2}$ "
15	PB03	HEX BOLT $\frac{5}{16}$ "-18 x 1"
16	PSW04	SWITCH
17	P1028Z017	MOTOR, 1 $\frac{1}{2}$ H.P. (G1028Z)
17	P1029017	MOTOR, 2 H.P. (G1029)
18	PN02	HEX NUT $\frac{5}{16}$ "-18
19	P1028019	OUTLET
20	P1028020	HOSE CLAMP
21	P1028021	HOSE
22	G1027	BAG, LOWER
23	P1028023	COLLECTOR SUPPORT
24	P1028024	COLLECTOR
25	P1028025	PACKING (G1028Z)
25	P1029025	PACKING (G1029)
26	P1028026	UPPER BAG SUPPORT
27	G1027	BAG, UPPER
28	P1028028	GASKET
29B	P1029029B	Y-INLET 6" X 4" X 4"
29A	P1029029A	INLET CAP 6"
30	PK32M	KEY 6 x 6 x 28 (G1028Z)
30	PK28M	KEY 7 x 7 x 29 (G1029)
31	PWRCRD220S	POWER CORD
34	PWRCRD220L	MOTOR CORD
35	P1028035	FILTER CLAMP
38	P1028Z038	QUICK RELEASE CLAMP