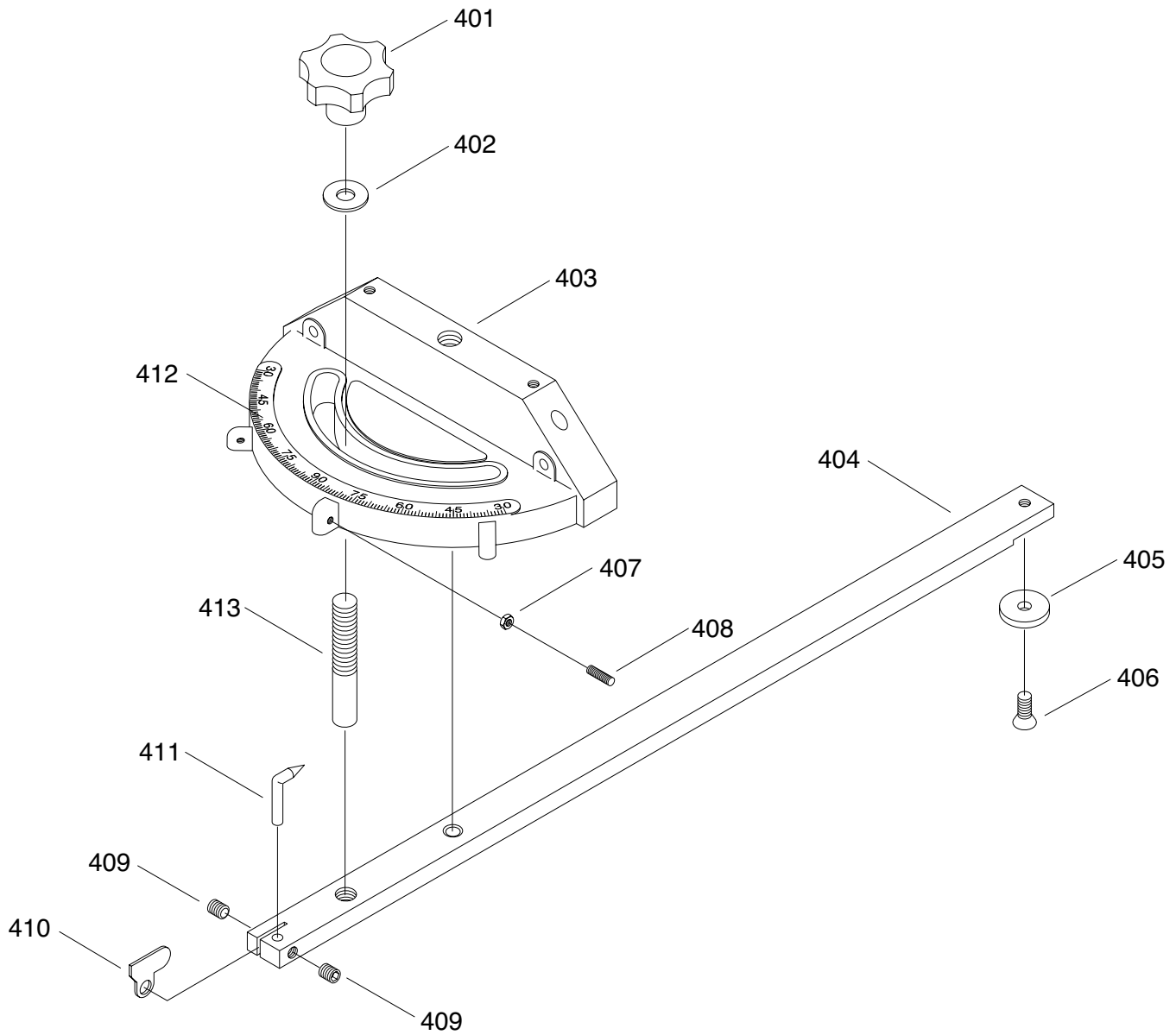


G1023 Heavy-Duty Table Saw

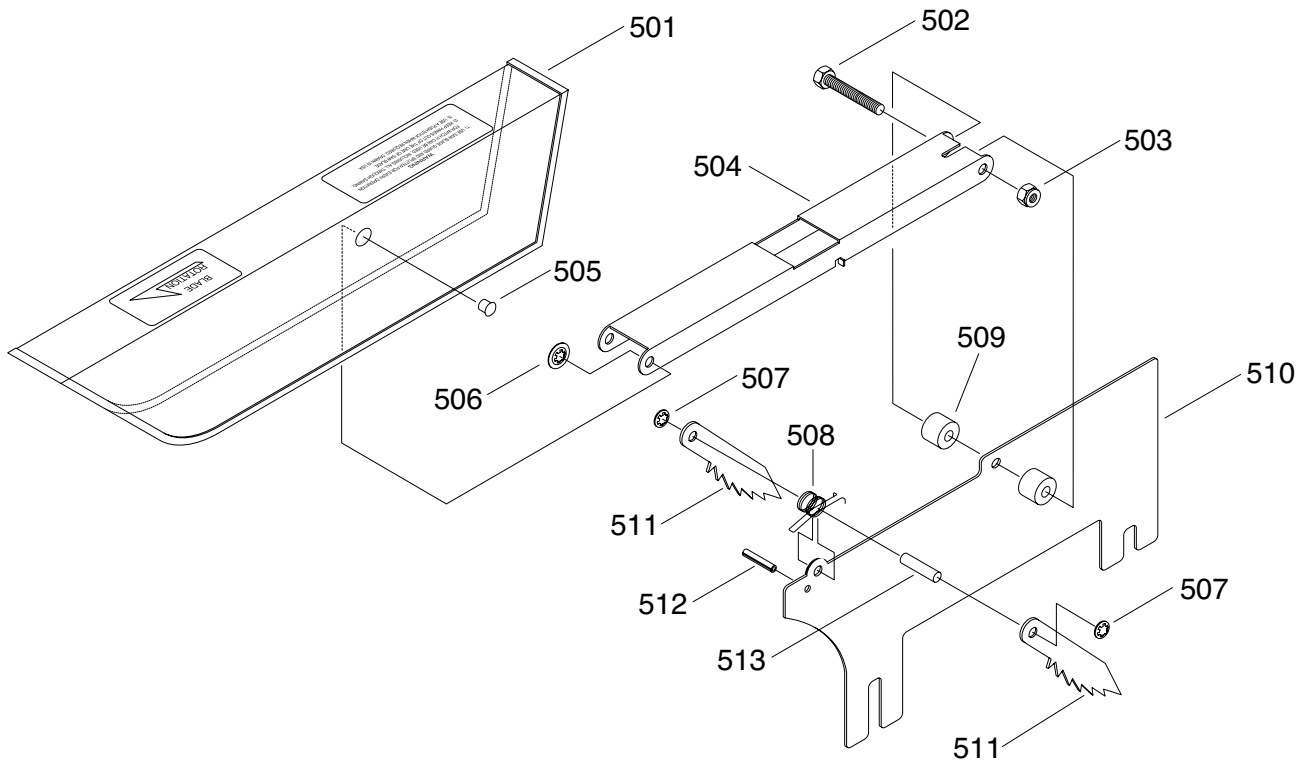
REF	PART #	DESCRIPTION
1	P1023001	CABINET
2	P1023002	SCALE
3	P1023003	TAP SCREW #6 X 1/2
4	P1023004	TRAP DOOR
5	P1023005	HEX NUT 5/16-18
6	P1023006	LATCH
7	P1023007	KNOB
8	P1023008	HANDWHEEL LOCK V1.12.95
9	P1023009	HANDLE V1.12.95
10	P1023010	HANDWHEEL V2.01.06
11	P1023011	SET SCREW 1/4-20 X 5/16
12	P1023012	PHLP HD SCR 10-24 X 2
13	P1023013	POINTER BRACKET
14	P1023014	PHLP HD SCR 5/16-18 X 3/8
15	P1023015	POINTER
16	P1023016	FRONT TRUNNION
17	P1023017	PLATE
18	P1023018	PHLP HD SCR 5/16-18 X 1
19	P1023019	HEX BOLT 3/8-16 X 1-1/2
20	P1023020	LOCK WASHER 3/8
21	P1023021	HEX NUT 3/8-16
22A	P1023022A	SET SCREW 1/4-20 X 3/8
23	P1023023	WORM 1.410" OD
24	P1023024	COLLAR
25	P1023025	SET SCREW 5/16-18 X 1/4
26	P1023026	SHAFT V2.07.98
27	P1023027	DOWEL PIN
28	P1023028	KEY 3/16 X 3/16 X 1-1/2
29	P1023029	GEARED TRUNNION V2.01.98
30	P1023030	HEX NUT 5/16-18
31	P1023031	HEX BOLT 5/16-18 X 1
32	P1023032	FLANGE
33	P1023033	SHAFT
35V2	P1023035V2	GEARED BEARING HOUSING V2
35V2-1	P1023035V2-1	PLATE
35V2-2	P1023035V2-2	PHLP HD SCR 10-24 X 3/8
35V2-3	P1023035V2-3	LOCK WASHER #10
36	P1023036	HEX BOLT 3/8-16 X 1-1/2
37A	P1023037A	LOCK WASHER 3/8
37B	P1023037B	KEY 1/4 X 1/4 X 2
38	P1023038	BALL BEARING 6203-2RS
39	P1023039	INT RETAINING RING 40MM
40	P1023040	JAM NUT 5/8-18
41	P1023041	COLLAR
42	P1023042	ARBOR PULLEY
43	P1023043	SET SCREW 1/4-20 X 1/2
44	P1023044	KEY 5 X 5 X 45
45	P1023045	BLADE ARBOR W/SHAFT
47	P1023047	ARBOR FLANGE
48	P1023048	ARBOR NUT 5/8-12 LH
48A	P1023048A	OPEN-END ARBOR WRENCH 7/8 X 7/8"
49A	P1023049A	SET SCREW 5/16-18 X 1/2
50	P1023050	MOTOR FRAME SUPPORT V2.12.95

REF	PART #	DESCRIPTION
51	P1023051	CLIP
52	P1023052	PIVOT PIN
53	P1023053	HEX BOLT 7/16-20 X 3/4
54	P1023054	V-BELT 3L270 FM25 QTY 3
55	P1023055	MOTOR PULLEY
56	P1023056	MOTOR 3 HP
56A	P1023056A	MOTOR 3 HP 220V 1-PH V4.10.01
57	P1023057	HEX BOLT 5/16-18 X 2-1/4
58	P1023058	HEX BOLT 5/16-18 X 1
60	P1023060	HEX BOLT 5/16-18 X 3/4
61	P1023061	FLAT WASHER 5/16
62	P1023062	SUPPORT BRACKET
63	P1023063	FLANGE CASTING V1.12.95
64	P1023064	ROLL PIN 5/16 X 5/8
65	P1023065	CAP SCREW 3/8-16 X 1
66	P1023066	FLAT WASHER 3/8
67	P1023067	KEY 3/16 X 3/16 X 1-9/16
68	P1023068	SHAFT
69	P1023069	LOCK NUT 3/4-16
70	P1023070	REAR TRUNNION V3.02.96
71	P1023071	JAM NUT 5/8-18
72	P1023072	BLADE GUARD SUPPORT
73	P1023073	HEX BOLT 5/16-18 X 1
74	P1023074	BLOCK
75	P1023075	BLOCK ANGLE
76	P1023076	FLAT WASHER 5/16
77	P1023077	HEX BOLT 5/16-18 X 3/4
78	P1023078	HEX BOLT 5/16-18 X 1
79	P1023079	SET SCREW 1/4-20 X 1/2
80-1	P1023080-1	SPRING CLIP 10 X 30.7 X 7.5
80-2	P1023080-2	PHLP HD SCR 10-24 X 3/8
80B	P1023080B	STD TABLE INSERT 8.5
80D	P1023080D	DADO INSERT
81	P1023081	TABLE
82	P1023082	LOCK WASHER 7/16
83	P1023083	HEX BOLT 3/8-16 X 1-1/4
84	P1023084	EXT. WING
85	P1023085	FLAT WASHER 7/16
86	P1023086	HEX BOLT 7/16-20 X 3/4
87	P1023087	MAGNETIC SWITCH 3HP 1PH
88	P1023088	SWITCH MOUNT BRACKET
89	P1023089	KEY 5 X 5 X 40
90	P1023090	WHITE SWITCH COVER SCREW V1.12.95
91	P1023091	PHLP HD SCR 1/4-20 X 3/8
92	P1023092	LABEL
93	P1023093	SET SCREW 5/16-18 X 3/8
94	P1023094	SPRING 5.5 X 12 X 7
95	P1023095	BALL
96	P1023096	SET SCREW 5/16-18 X 1-1/4
97	P1023097	WAVE WASHER
98	P1023098	POWER CORD 12G X 3W 86"L
99	P1023099	POWER CORD 12G X 3W 36"L



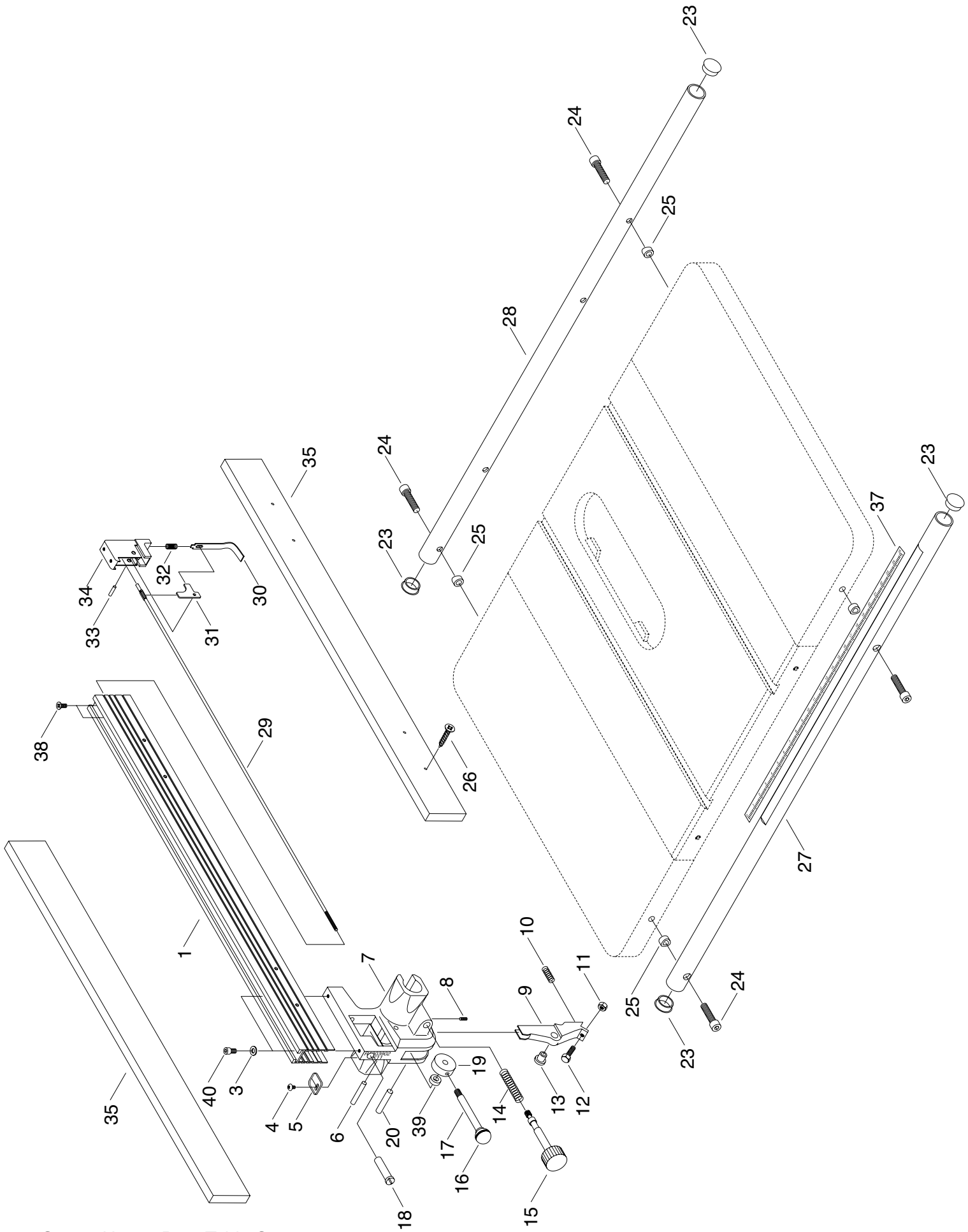
REF	PART #	DESCRIPTION
401	P1023401	KNOB
402	P1023402	FLAT WASHER 1/4
403	P1023403	MITER GAUGE BODY V2.05.07
404	P1023404	ADJUSTABLE MITER BAR
405	P1023405	T-SLOT WASHER 3MM
406	P1023406	FLAT HD SCR 1/4-20 X 5/16
407	P1023407	HEX NUT 10-24

REF	PART #	DESCRIPTION
408	P1023408	SET SCREW 10-24 X 5/8
409	P1023409	SET SCREW 10-24 X 1/4
410	P1023410	MITER GAUGE STOP
411	P1023411	POINTER
412	P1023412	MITER GAUGE SCALE
413	P1023413	STUD



REF	PART #	DESCRIPTION
501	P1023501	BLADE GUARD
502	P1023502	HEX BOLT M6-1 X 40
503	P1023503	LOCK NUT M6-1
504	P1023504	SUPPORTING ARM
505	P1023505	PIVOT PIN
506	P1023506	ROLL PIN 4 X 24
507	P1023507	RETAINER

REF	PART #	DESCRIPTION
508	P1023508	SPRING 14 X 6
509	P1023509	SPACER
510	P1023510	COMPLETE BLADE GUARD ASSY
511	P1023511	PAWL
512	P1023512	ROLL PIN 4 X 22
513	P1023513	FLAT HD SCR M5-.8 X 12



G1023 Heavy-Duty Table Saw

REF	PART #	DESCRIPTION
601	P1023601	FENCE
602	P1023602	FLAT HD SCR M8-1.25 X 12
603	P1023603	FLAT WASHER 8MM
604	P1023604	PHLP HD SCR M5-.8 X 8
605	P1023605	WIDTH POINTER
606	P1023606	SHAFT FOR CLAMP
607	P1023607	FRONT CLAMP
608	P1023608	SET SCREW 1/4-20 X 3/8
609	P1023609	CLAMP SHOE
610	P1023610	SPRING 11 X 40 X 8
611	P1023611	HEX NUT 5/16-18
612	P1023612	HEX BOLT 5/16-18 X 1
613	P1023613	SHAFT BUSHING
614	P1023614	SPRING 16 X 65 X 9
615	P1023615	PINION W/KNOB
616	P1023616	KNOB
617	P1023617	LOCK LEVER
618	P1023618	FENCE ADJUSTER
619	P1023619	ECCENTRIC

REF	PART #	DESCRIPTION
620	P1023620	SHAFT FOR ECCENTRIC
623	P1023623	PLUG
624	P1023624	CAP SCREW 3/8-16 X 1-1/2
625	P1023625	FENCE RAIL SPACER
626	P1023626	RETAINER
627	P1023627	FRONT RAIL
628	P1023628	REAR RAIL
629	P1023629	LOCK LINK
630	P1023630	CLAMP HOOK
631	P1023631	LEVER
632	P1023632	SPRING 10 X 25 X 8
633	P1023633	PIN 6.35 X 20
634	P1023634	BLOCK
635	P1023635	FACE BOARD 2 13/16" X 33 5/16"
636	P1023636	FORMICA FACE 2 13/16" X 33 5/16"
637	P1023637	SELF-STICK MEASURING TAPE
638	P1023638	FLAT HD SCR M8-1.25 X 12
639	P1023639	SPACER
640	P1023640	CAP SCREW 5/16-18 X 1/2