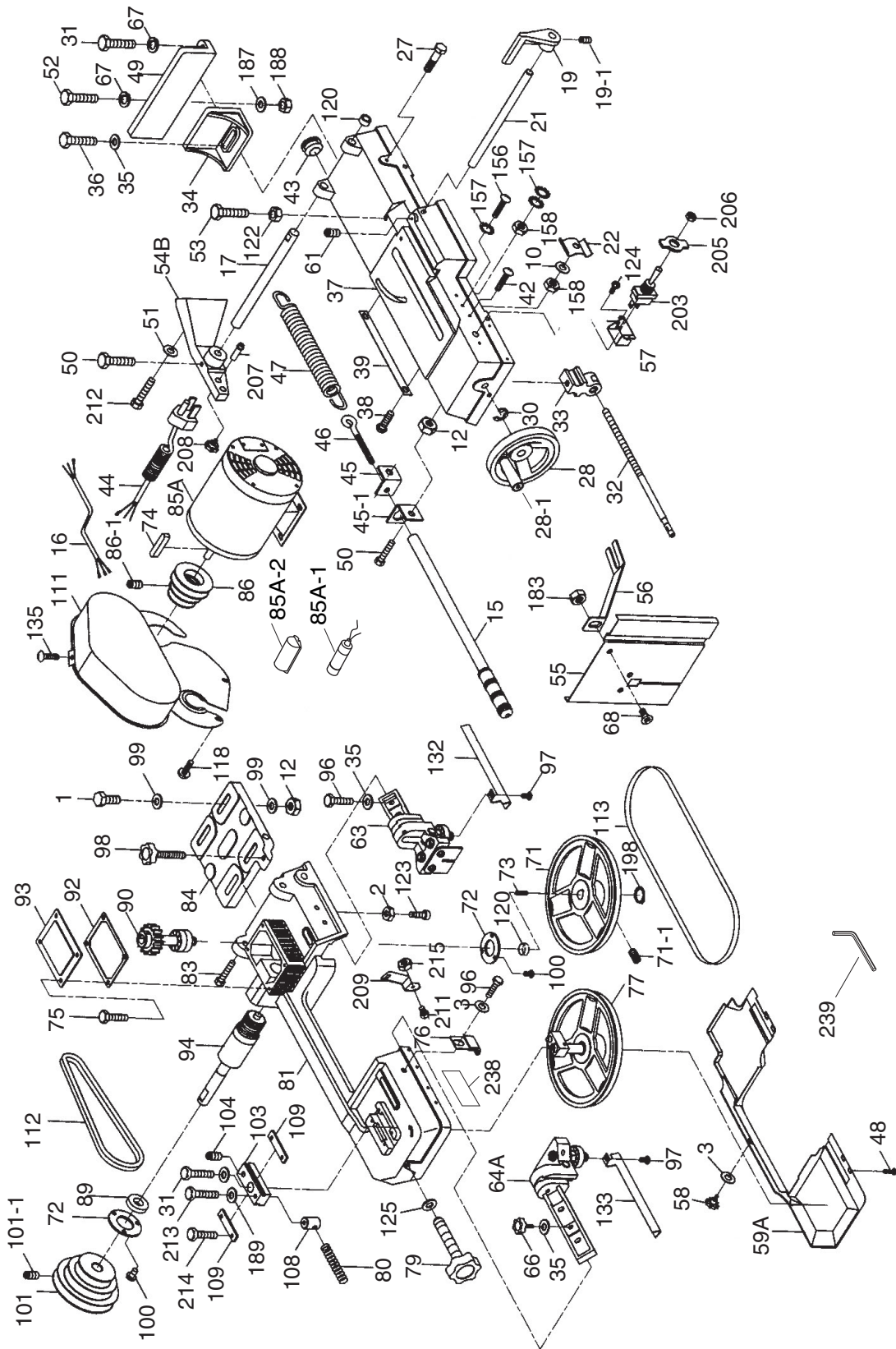


Parts Breakdown G1010



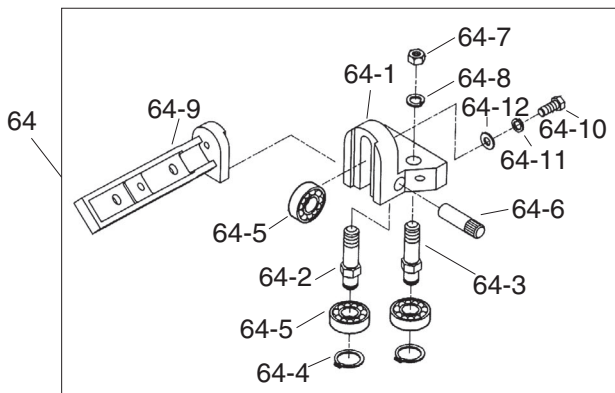
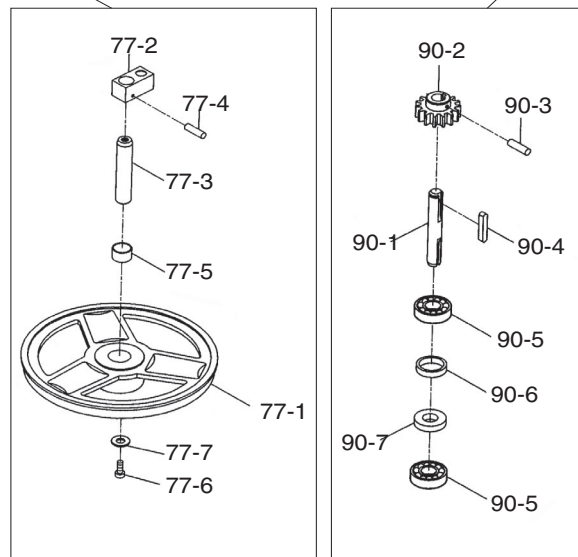
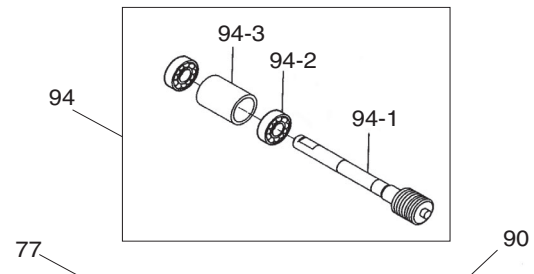
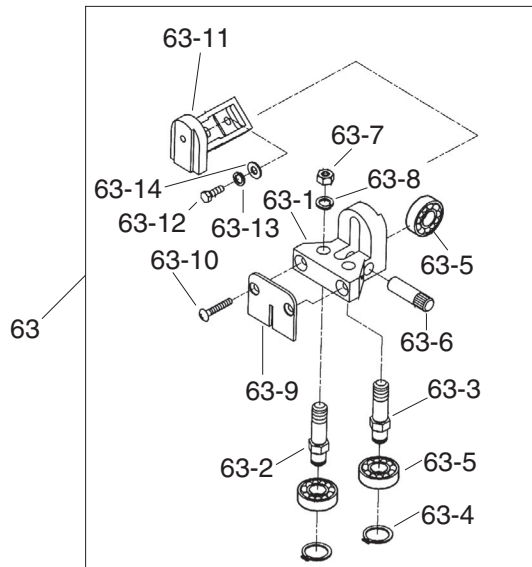
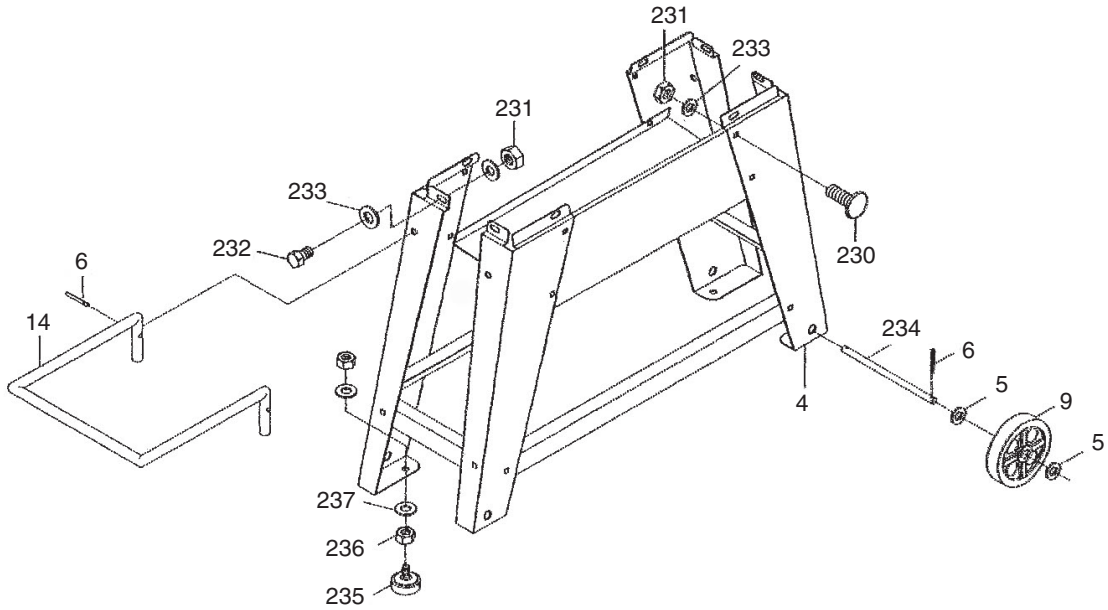
Parts List G1010

REF	PART #	DESCRIPTION
1	PB19	HEX BOLT 1/4-20 X 1/2
3	PW06	FLAT WASHER 1/4
4	P1010004	STAND COMPLETE ASSEMBLY
5	PW02	FLAT WASHER 3/8
6	P1010006	COTTER PIN 1/8 X 1
9	P1010009	WHEEL
10	PW06	FLAT WASHER 1/4
11	PB12	HEX BOLT 5/16-18 X 1-1/4
12	PN02	HEX NUT 5/16-18
14	P1010014	LIFTING HANDLE
15	P1010015	ADJUSTING TENSION ROD
16	P1010016	MOTOR CABLE
17	P1010017	PIVOTING ROD
19	P1010019	WORK STOP
19-1	PSS08	SET SCREW 5/16-18 X 1/2
21	P9742021	STOCK STOP ROD 1/2 X 216
22	P9742022	STRAIN RELIEF
27	PB03	HEX BOLT 5/16-18 X 1
28	P1010028	HANDWHEEL
28-1	P1010028-1	HANDWHEEL HANDLE
30	PEC03M	E-CLIP 10MM
31	PB03	HEX BOLT 5/16-18 X 1
32	P1010032	LEAD SCREW
33	P1010033	WISE NUT
34	P1010034	MOVEABLE VISE PLATE
35	PW04	FLAT WASHER 7/16
36	PB24	HEX BOLT 3/8-16 X 1-1/4
37	P1010037	SWIVEL BASE
38	PS80	PHLP HD SCR 3/16-32 X 1/4
39	P1010039	SCALE
42	PS56M	PHLP HD SCR M4-.7 X 16
43	P1010043	STRAIN RELIEF
44	P1010044	POWER CABLE
45	P1010045	SPRING HANDLE BRACKET
45-1	P1010045-1	SPRING HANDLE BRACKET
46	P1010046	SPRING ADJ SCREW
47	P1010047	EXTENTION SPRING
48	PS06	PHLP HD SCR 10-24 X 3/8
49	P1010049	MOVABLE VISE PLATE
50	PB07	HEX BOLT 5/16-18 X 3/4
51	PW07	FLAT WASHER 5/16
52	PB11	HEX BOLT 5/16-18 X 1-1/2
53	PB38	HEX BOLT 7/16-14 X 2
54B	P1010054B	PIVOT 3/8 HOLES 8-1/2L
55	P1010055	VERTICAL CUTTING PLATE
56	P1010056	TABLE SUPPORTING PLATE
57	P1010057	ADJUSTABLE BRACKET LEFT
58	P1010058	PLUM HANDLE SCREW
59A	P1010059A	PLASTIC SAFETY COVER N/S
61	PSS38	SET SCREW 5/16-18 X 5/8

REF	PART #	DESCRIPTION
63	P1010063	BEARING SHAFT ASSEMBLY
63-1	P1010063-1	BEARING BLOCK
63-2	P1010063-2	BEARING SHAFT
63-3	P1010063-3	BEARING SHAFT
63-4	PR01M	EXT RETAINING RING 10MM
63-5	P6000	BALL BEARING 6000ZZ
63-6	P1010063-6	BEARING PIN
63-7	PN11	HEX NUT 3/8-24
63-8	PLW04	LOCK WASHER 3/8
63-9	P1010063-9	DEFLECTOR PLATE
63-10	PFH19	FLAT HD SCR 1/4-20 X 3/8
63-11	P1010063-11	ADJUSTABLE BRACKET (RIGHT)
63-12	PB12	HEX BOLT 5/16-18 X 1-1/4
63-13	PLW01	LOCK WASHER 5/16
63-14	PW07	FLAT WASHER 5/16
64A	P1010064A	BLADE ADJ SEAT ASSEMBLY
64-1	P1010064-1	BLADE ADJUSTMENT (FRONT)
64-2	P1010064-2	BEARING SHAFT
64-3	P1010064-3	BEARING SHAFT
64-4	PR01M	EXT RETAINING RING 10MM
64-5	P6000	BALL BEARING 6000ZZ
64-6	P1010064-6	BEARING PIN 10 X 36
64-7	PN11	HEX NUT 3/8-24
64-8	PLW04	LOCK WASHER 3/8
64-9	P1010064-9	ADJUSTABLE BRACKET (LEFT)
64A	P1010064A	BLADE ADJ SEAT
64-10	PB12	HEX BOLT 5/16-18 X 1-1/4
64-11	PLW01	LOCK WASHER 5/16
64-12	PW07	FLAT WASHER 5/16
66	P1010066	BLADE ADJUSTABLE KNOB
67	PLW01	LOCK WASHER 5/16
68	PFH19	FLAT HD SCR 1/4-20 X 3/8
71	P1010071	BLADE WHEEL (FRONT)
71-1	PSS17	SET SCREW 5/16-18 X 5/16
72	P1010072	BEARING COVER
73	PK23M	KEY 5 X 5 X 25
74	PK12M	KEY 5 X 5 X 30
75	PB02	HEX BOLT 1/4-20 X 5/8
76	P1010076	SWITCH CUT OFF TIP
77	P1010077	BLADE WHEEL REAR ASSY
77-1	P1010077-1	BLADE WHEEL (REAR)
77-2	P1010077-2	SLIDING PLATE DRAW BLOCK
77-3	P1010077-3	BLADE WHEEL SHAFT
77-4	P1010077-4	PIN 4 X 20
77-5	P1010077-5	BUSHING
77-6	PB07	HEX BOLT 5/16-18 X 3/4
77-7	PW07	FLAT WASHER 5/16
79	P1010079	BLADE TENSION KNOB
80	P1010080	SPRING
81	P1010081	BODY FRAME



Parts Breakdown G1010



Parts List G1010

REF	PART #	DESCRIPTION
83	PB41	HEX BOLT 1/2-12 X 1-1/2
84	P1010084	MOTOR MOUNT PLATE
85A	P1010085A	MOTOR 1/2HP 110V/220V
85A-1	P1010085A-1	CAPACITOR 200MFD 125V
85A-2	P1010085A-2	CAPACITOR COVER
86	P1010086	MOTOR PULLEY
86-1	PSS17	SET SCREW 5/16-18 X 5/16
89	P1010089	OIL SEAL 15 X 35 X 7
90	P1010090	TRANS WHEEL SHAFT
90-1	P1010090-1	TRANSMISSION WHEEL SHAFT
90-2	P1010090-2	TRANSMISSION GEAR
90-3	P1010090-3	PIN 4 X 22
90-4	PK23M	KEY 5 X 5 X 25
90-5	P6202	BALL BEARING 6202ZZ
90-6	P1010090-6	BUSHING
90-7	P1010090-7	OIL SEAL TC15 X 35 X 7
92	P1010092	GEAR BOX GASKET
93	P1010093	GEAR BOX COVER
94	P1010094	WORM GEAR SHAFT ASSEMBLY
94-1	P1010094-1	WORM GEAR SHAFT
94-2	P6202	BALL BEARING 6202ZZ
94-3	P1010094-3	BEARING BUSHING
96	P1010096	BEARING BUSHING
97	PS14M	PHLP HD SCR M6-1 X 12
98	P1010098	KNOB M10 X 50
99	P1010099	BUSHING 11/16 X 1/4
100	PFH13	FLAT HD SCR 6-32 X 3/8
101	P1010101	WORM GEAR PULLEY
101-1	PSS18	SET SCREW 5/16-18 X 3/4
103	P1010103	BLADE TENSION SLIDING PLATE
104	PSS38	SET SCREW 5/16-18 X 5/8
108	P1010108	SHAFT BLOCK
109	P1010109	BLADE TENSION SLIDING GUIDE
111	P1010111	PLASTIC MOTOR PULLEY COVER
112	PVA22	V-BELT A-22 4L220
113	G5107-G5115	B/S BLADE 64-1/2" X 1/2" 10TPI
118	PS07	PHLP HD SCR 1/4-20 X 3/8

REF	PART #	DESCRIPTION
120	P1010120	BUSHING 19 X 17 X 7
122	PN19	HEX NUT 7/16-14
123	PB31	HEX BOLT 1/4-20 X 1
124	PS08	PHLP HD SCR 10-24 X 3/4
125	PW02	FLAT WASHER 3/8
132	P1010132	SAFETY GUARD (RIGHT)
133	P1010133	SAFETY GUARD (LEFT)
135	PS12	PHLP HD SCR 1/4-20 x 5/8
156	PS06	PHLP HD SCR 10-24 X 3/8
157	PTLW08M	EXT TOOTH WASHER 1/4
158	PN07	HEX NUT 10-24
183	PN05	HEX NUT 1/4-20
187	PW07	FLAT WASHER 5/16
188	PN02	HEX NUT 5/16-18
189	PW07	FLAT WASHER 5/16
198	P1010198	C-RETAINER RING S/S
203	P1010203	TOGGLE SWITCH
205	P1010205	SWITCH INDICATOR
206	P1010206	SWITCH NUT
207	P1010207	POSITION PIN
208	P1010208	PLUM HANDLE
209	P1010209	SAFETY BRACKET
211	PB05	HEX BOLT 1/4-20 X 3/4
212	PB03	HEX BOLT 5/16-18 X 1
213	PB07	HEX BOLT 5/16-18 X 3/4
214	PB02	HEX BOLT 1/4-20 X 5/8
215	PN05	HEX NUT 1/4-20
230	PCB05	CARRIAGE BOLT 5/16-18 X 3/4
231	PN02	HEX NUT 5/16-18
232	PB03	HEX BOLT 5/16-18 X 1
233	PW07	FLAT WASHER 5/16
234	P1010234	WHEEL ROD
235	P1010235	RUBBER HD SCR 3/8 X 20
236	PN08	HEX NUT 3/8-16
237	PW02	FLAT WASHER 3/8
238	P1010238	MACHINE ID LABEL
239	PAW04M	HEX WRENCH 4MM

