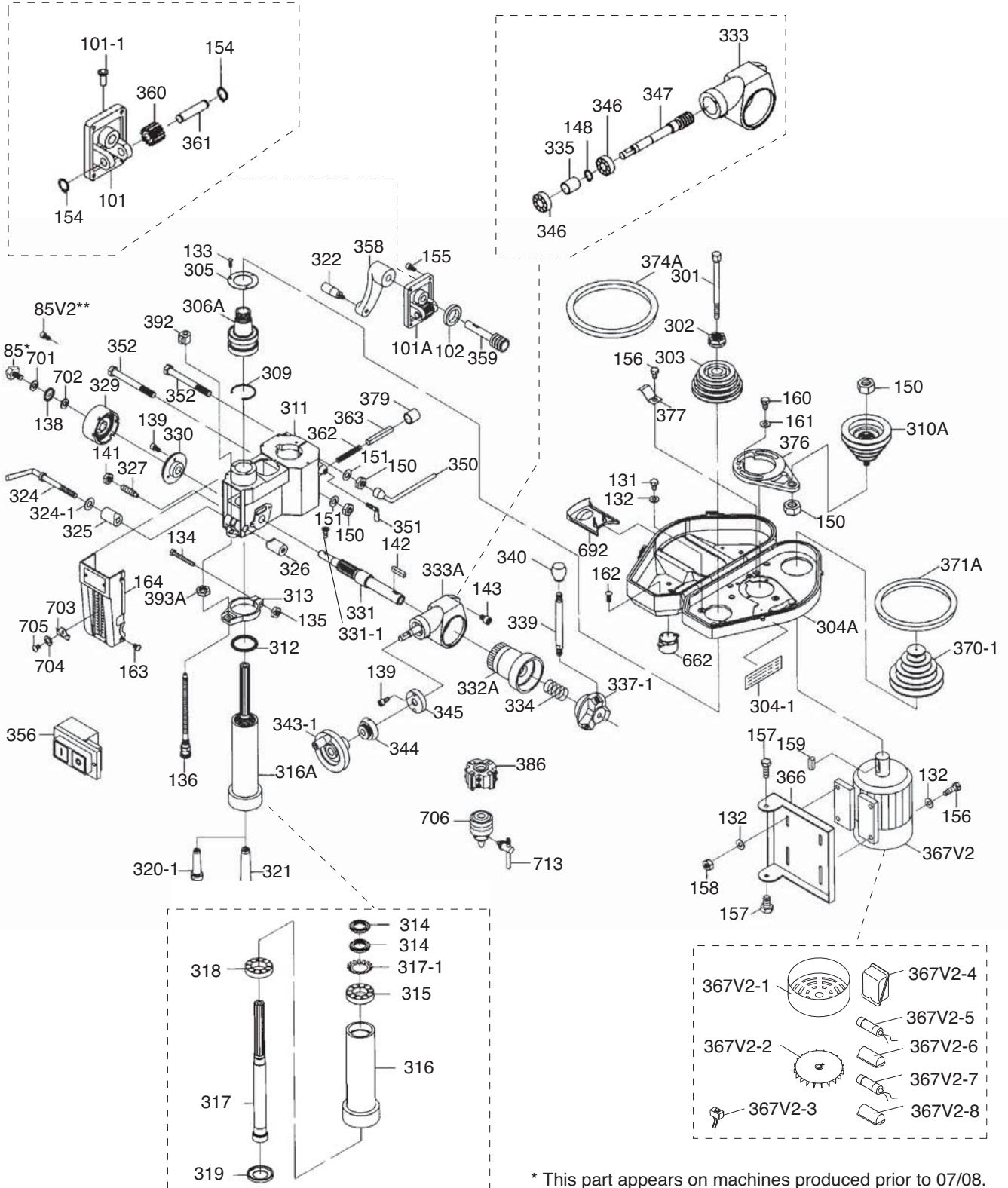


SECTION 9: PARTS

Head Breakdown



* This part appears on machines produced prior to 07/08.
 **This part appears on machines produced after 07/08.



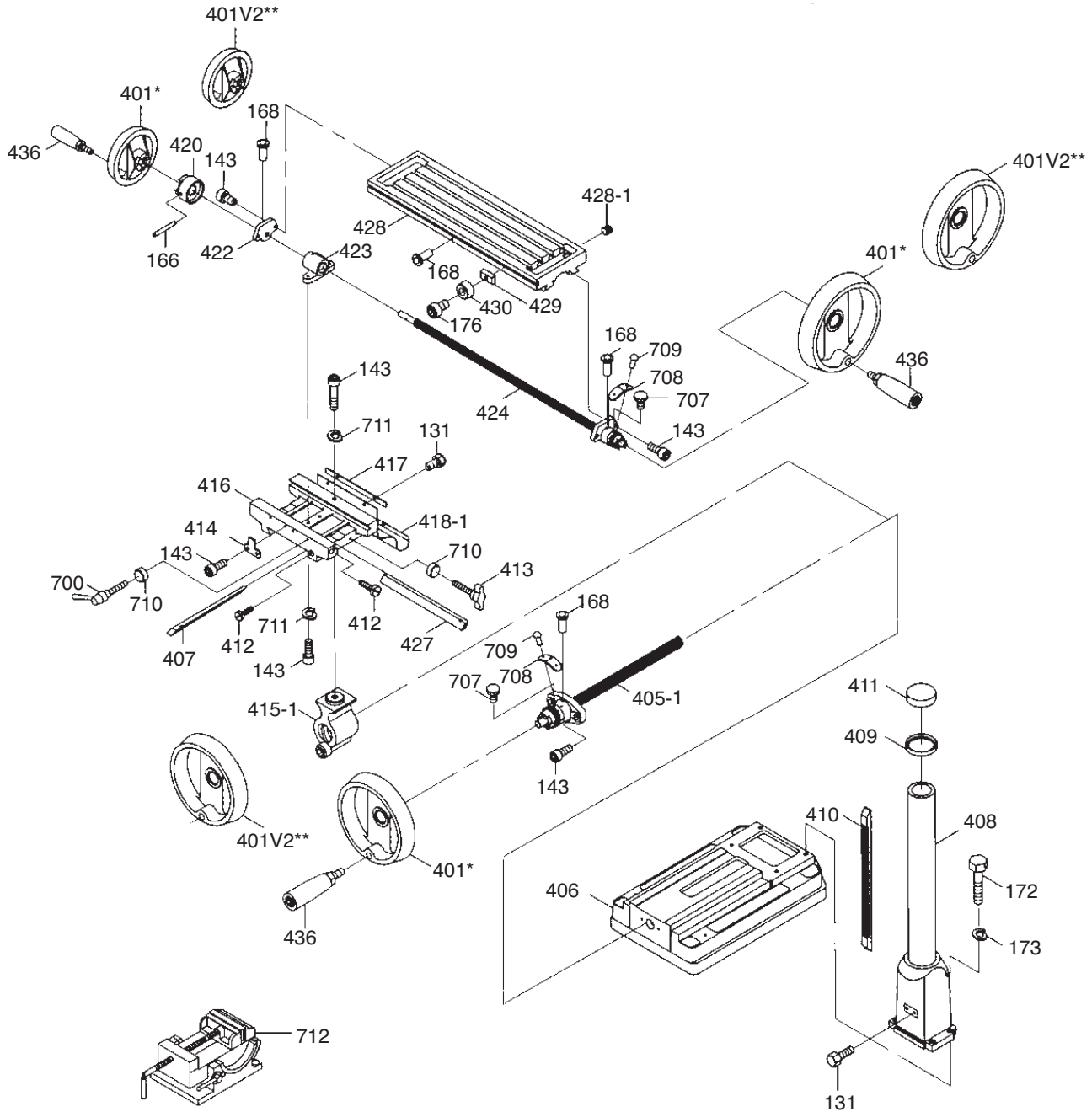
Head Parts List

REF	PART #	DESCRIPTION
85	PSW03-1	KNOB
85V2	PSB01	CAP SCREW 1/4-20 X 5/8
101	P1006101	CRANK BRACKET
101-1	P1006101-1	OIL CUP
101A	P1006101A	CRANK BRACKET ASSEMBLY
102	P1006102	WORM SHAFT BUSHING
131	PB07	HEX BOLT 5/16-18 X 3/4
132	PW07	FLAT WASHER 5/16
133	PS04	PHLP HD SCR 1/4-20 X 1/2
134	PB10	HEX BOLT 1/4-20 X 2
135	PN05	HEX NUT 1/4"-20
136	P1006136	GRADUATED ROD ASSY
138	P1014116	FENDER WASHER 1/4
139	PS01	PHLP HD SCR 10-24 X 1/2
141	PN08	HEX NUT 3/8"-16
142	PK25M	KEY 7 X 7 X 20
143	PSB07	CAP SCREW 5/16-18 X 3/4
148	PR05M	EXT RETAINING RING 15MM
150	PN04	HEX NUT 5/8"-11
151	PLW06	LOCK WASHER 5/8
154	PR02M	EXT RETAINING RING 14MM
155	PSB05	CAP SCREW 1/4-20 X 3/4
156	PB03	HEX BOLT 5/16-18 X 1
157	PB38	HEX BOLT 7/16-14 X 2
158	PN02	HEX NUT 5/16"-18
159	P1006159	KEY 7 X 7 X 37
160	PB11	HEX BOLT 5/16-18 X 1-1/2
161	PW07	FLAT WASHER 5/16
162	PB12	HEX BOLT 5/16-18 X 1-1/4
163	PS04	PHLP HD SCR 1/4-20 X 1/2
164	P1006164	FRONT COVER PLATE ASSEMBLY
301	P1126102	DRAWBAR 7/16-20 x 442L
302	P1006302	SPINDLE NUT 42-16 V1.08.97
303	P1006303	SPINDLE PULLEY
304-1	P1006304-1	SPEED CHART LABEL
304A	P1006304A	BOTTOM BELT COVER
305	P1006305	OUTER BEARING COVER
306A	P1006306A	TAPERED SPINDLE SLEEVE LH V2.12.98
309	PR52M	EXT RETAINING RING 80MM
310A	P1006310A	IDLER PULLEY ASSEMBLY
311	P1006311	HEAD CASTING
312	P1006312	RUBBER RING
313	P1006313	QUILL COLLAR
314	P1006314	TAKE UP NUT
315	P30206	TAPERED ROLLER BEARING 30206
316	P1006316	QUILL
316A	P1006316A	QUILL ASSEMBLY
317	P1006317	SPINDLE SHAFT
317-1	P1006317-1	SPECIAL STAR WASHER
318	P1006318	BEARING 30207J
319	P1006319	BEARING CAP
320-1	P1006320-1	CUTTER ARBOR ASSY
321	P1006321	CHUCK ARBOR
322	P1006322	HANDLE BOLT 3/8-16
324	P1006324	QUILL LOCK HANDLE
324-1	PW01	FLAT WASHER 1/2
325	P1006325	CLAMP COLLAR

REF	PART #	DESCRIPTION
326	P1006326	CLAMP NUT 3/8-16
327	P1006327	SPECIAL SCREW 3/8-16 X 38
329	P11261103	SPRING COVER ASSY
330	P1006330	SPRING BASE 76 X 76 X 19
331	P1006331	PINION SHAFT
331-1	PS01	PHLP HD SCR 10-24 X 1/2
332A	P1006332A	FINE FEED CLUTCH ASSEMBLY
333	P1006333	FINE FEED HOUSING
333A	P1006333-1	FINE FEED ASSEMBLY
334	P1006334	SPRING 27 X 17.5 X 17.5
335	P1006335	BEARING SPACER 34 X 28
337-1	P1006337-1	HANDLE BASE ASSY
339	P1006339	HANDLE ROD
340	P1006340	ROUND KNOB
343-1	P1006343-1	HANDWHEEL ASSY
344	P1006344	GRADUATED DIAL
345	P1006345	SLEEVE
346	P6202	BALL BEARING 6202ZZ
347	P1006347	WORM SHAFT
350	P1006350	HEAD WRENCH
351	P1006351	THUMB SCREW 3/8-16
352	PB46	HEX BOLT 5/8-11 X 6
356	P1006356	ON/OFF SWITCH
358	P1006358	ELEVATION CRANK
359	P1006359	WORM GEAR SHAFT
360	P1006360	PINION GEAR
361	P1006361	GEAR AXLE
362	P1006362	COMPRESSION SPRING 13 X 83
363	P1006363	MOTOR POSITION PIN
366	P1006366	MOTOR BASE
367V2	P1006367V2	2HP MOTOR 110/220V SINGLE PHASE
367V2-1	P1006367-1	MOTOR FAN COVER
367V2-2	P1006367-2	MOTOR FAN
367V2-3	P1006367-3	CIRCUIT BREAKER BUTTON
367V2-4	P1006367-4	JUNCTION BOX
367V2-5	P1006367V2-5	S CAPACITOR 500M 250V 1-3/8 X 2-3/4
367V2-6	P1006367V2-6	S CAPACITOR COVER
367V2-7	P1006367V2-7	R CAPACITOR 50M 250V 1-3/8 X 2-3/4
367V2-8	P1006367V2-8	R CAPACITOR COVER
370-1	P1006370-1	MOTOR PULLEY SET
371A	PVB33	V-BELT B-33
374A	PVB42	V-BELT B-42
376	P1006376	PULLEY SWING BASE
377	P1006377	CLIP PLATE
379	P1006379	RUBBER COLLAR
386	P1006386	FACE CUTTER
392	P1006392	POSITION SET BRACKET
393A	P1006393A	FIXED NUT
662	P1006662	DRAW BOLT COVER 75 X 54 X 42.5
692	P1006692	BELT COVER LID
701	PLW02	LOCK WASHER 1/4
702	PW06	FLAT WASHER 1/4
703	P1006703	LIMIT PLATE
704	P1006704	FLAT WASHER 1/8
705	P1006705	PHLP HD SCR 5-40 X 3/8
706	P1006706	CHUCK 1/2"-JT6
713	P1006713	CHUCK KEY



Column & Table Parts Breakdown



* This part appears on machines produced prior to 07/08.

**This part appears on machines produced after 07/08.



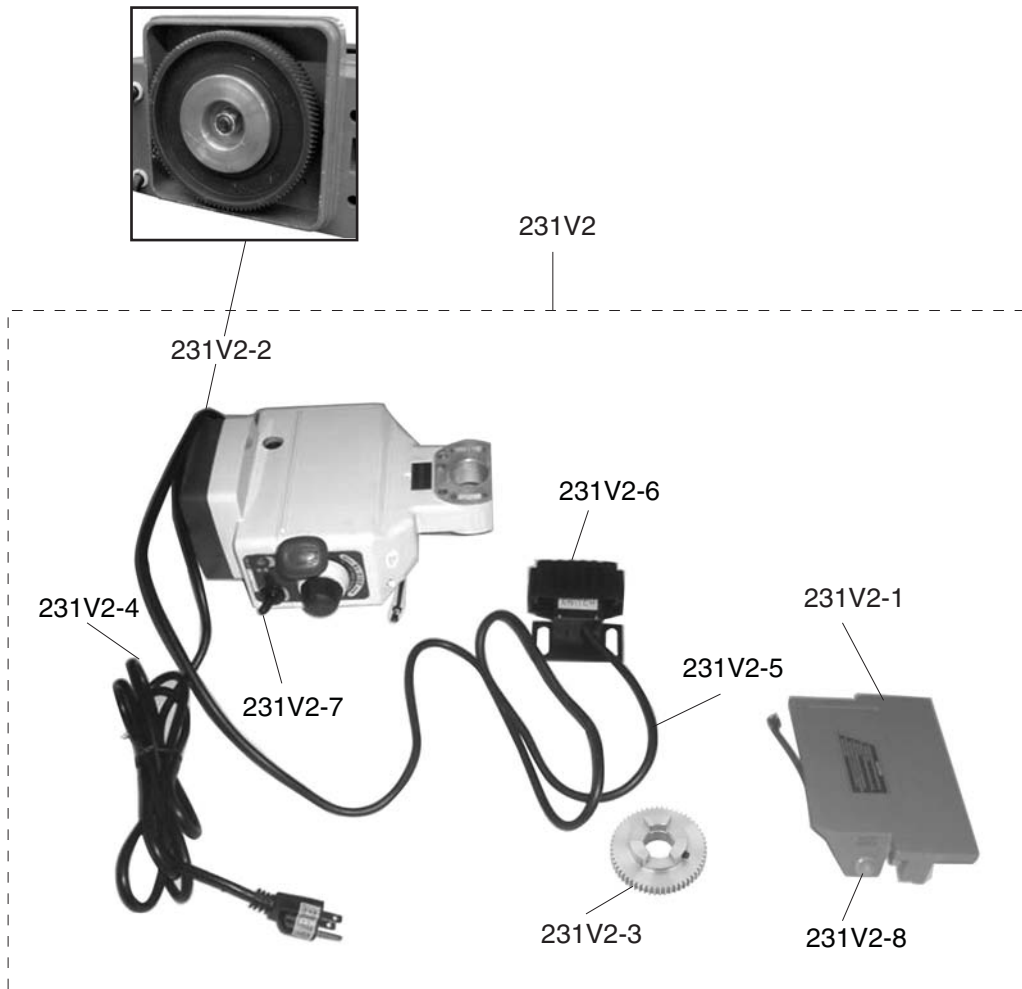
Column & Table Parts List

REF	PART #	DESCRIPTION
131	PB07	HEX BOLT 5/16-18 X 3/4
143	PSB07	CAP SCREW 5/16-18 X 3/4
166	PRP10M	ROLL PIN 5 X 36
168	PLUBE001	BALL OILER 1/4 PRESS-IN
172	PB64	HEX BOLT 5/8-11 X 2-1/2
173	PLW06	LOCK WASHER 5/8
176	PSB04	CAP SCREW 1/4-20 X 1/2
401	P1126201	HANDWHEEL W/HANDLE
401V2	P1006401V2	PLASTIC HANDWHEEL W/HANDLE V2.07.08
405-1	P1006405-1	ACME SCREW ASSY
406	P1006406	BASE
407	P1006407	SADDLE GIB
408	P1006408	COLUMN
409	P1006409	COLUMN FLANGE RING
410	P1006410	RACK
411	P1006411	COLUMN CAP
412	P1006412	GIB SCREW 5/16-18 X 35
413	P1006413	TABLE LOCK
414	P1006414	TABLE STOP
415-1	P1006415-1	CROSS LEADSCREW NUT ASSY

REF	PART #	DESCRIPTION
416	P1006416	SADDLE
417	P1006417	BOTTOM WAY COVER CLAMP
418-1	P1006418-1	WAY COVER ASSEMBLY
420	P1006420	LEADSCREW COLLAR
422	P1006422	LEFT FLANGE
423	P1005613	LONGITUDINAL LEADSCREW NUT
424	P1126224	LONGITUDINAL LEADSCREW
427	P1006427	TABLE GIB
428	P1006428	TABLE
428-1	P1006428-1	TABLE PLUG
429	P1006429	STOP BLOCK T-NUT 1/4-20
430	P1006430	SPACER
436	P1006436	HANDLE
700	P1006700	LOCK HANDLE
707	P1006707	KNURLED THUMB SCREW 1/4-20 X 3/8
708	P1006708	SCALE
709	P1006709	RIVET
710	P1006710	LOCK HANDLE BUSHING
711	PLW01	LOCK WASHER 5/16
712	P1006712	ANGLE VISE



Power Feed

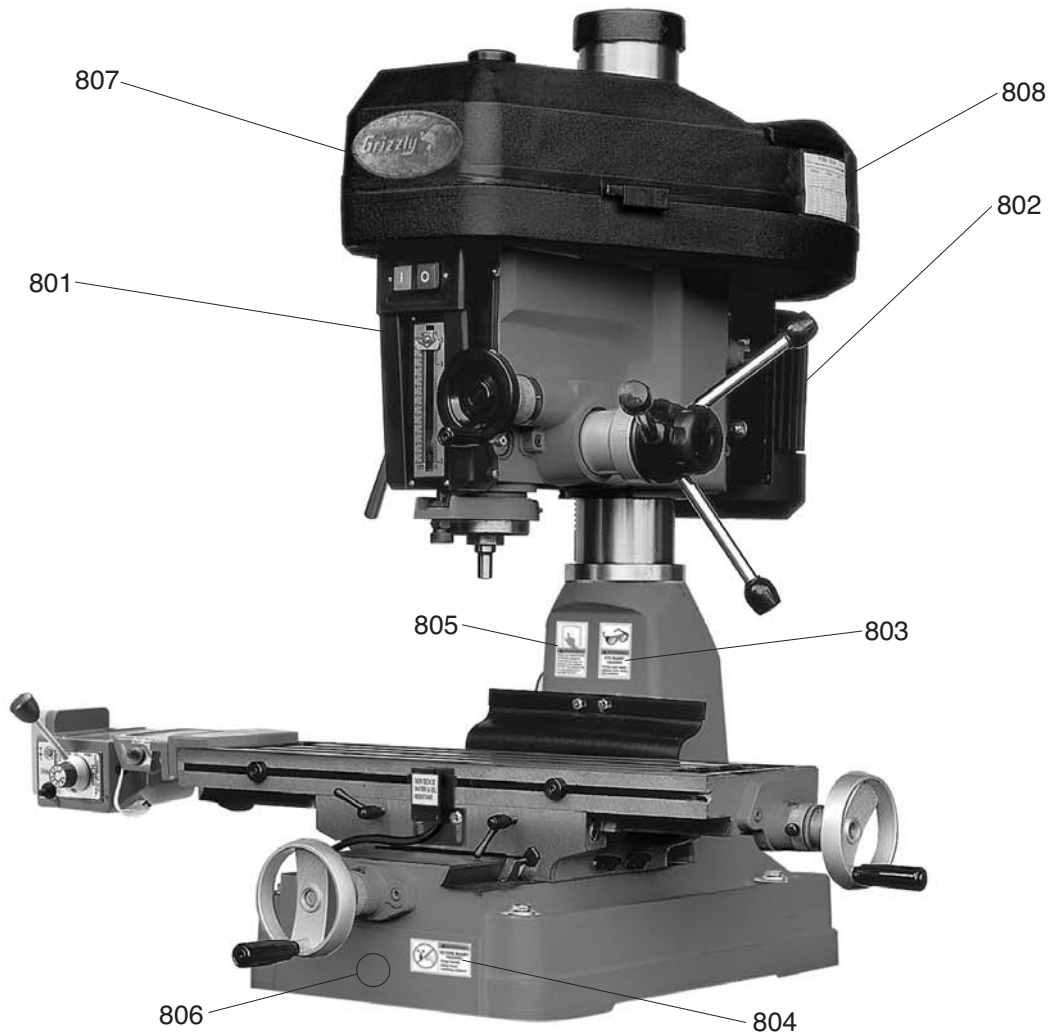


REF	PART #	DESCRIPTION
231V2	P1007231V2	POWER FEED ASSY AL-310S V2.09.09
231V2-1	P1007231V2-1	POWER FEED MOUNTING BRACKET
231V2-2	P1007231V2-2	POWER FEED LEXAN GEAR
231V2-3	P1007231V2-3	MAIN DRIVE GEAR
231V2-4	P1007231V2-4	POWER FEED POWER CORD

REF	PART #	DESCRIPTION
231V2-5	P1007231V2-5	LIMIT SWITCH CORD
231V2-6	P1007231V2-6	LIMIT SWITCH ASSEMBLY
231V2-7	P1007231V2-7	ON/OFF SWITCH
231V2-8	P1007231V2-8	RAPID SWITCH



Label Placement



REF	PART #	DESCRIPTION
801	P1006801	MACHINE ID LABEL
802	PLABEL-14	ELECTRICITY LABEL
803	P1006803	WEAR GLASSES LABEL
804	P1006804	ROTATING CUTTER LABEL

REF	PART #	DESCRIPTION
805	P1006805	READ MANUAL LABEL
806	PPAINT-1	GRIZZLY GREEN TOUCH UP PAINT
807	G9987	GRIZZLY NAMEPLATE-MINI
808	P1006808	SPINDLE SPEEDS LABEL

WARNING

Safety labels help reduce the risk of serious injury caused by machine hazards. If any label comes off or becomes unreadable, the owner of this machine **MUST** replace it in the original location before resuming operations. For replacements, contact (800) 523-4777 or www.grizzly.com.

