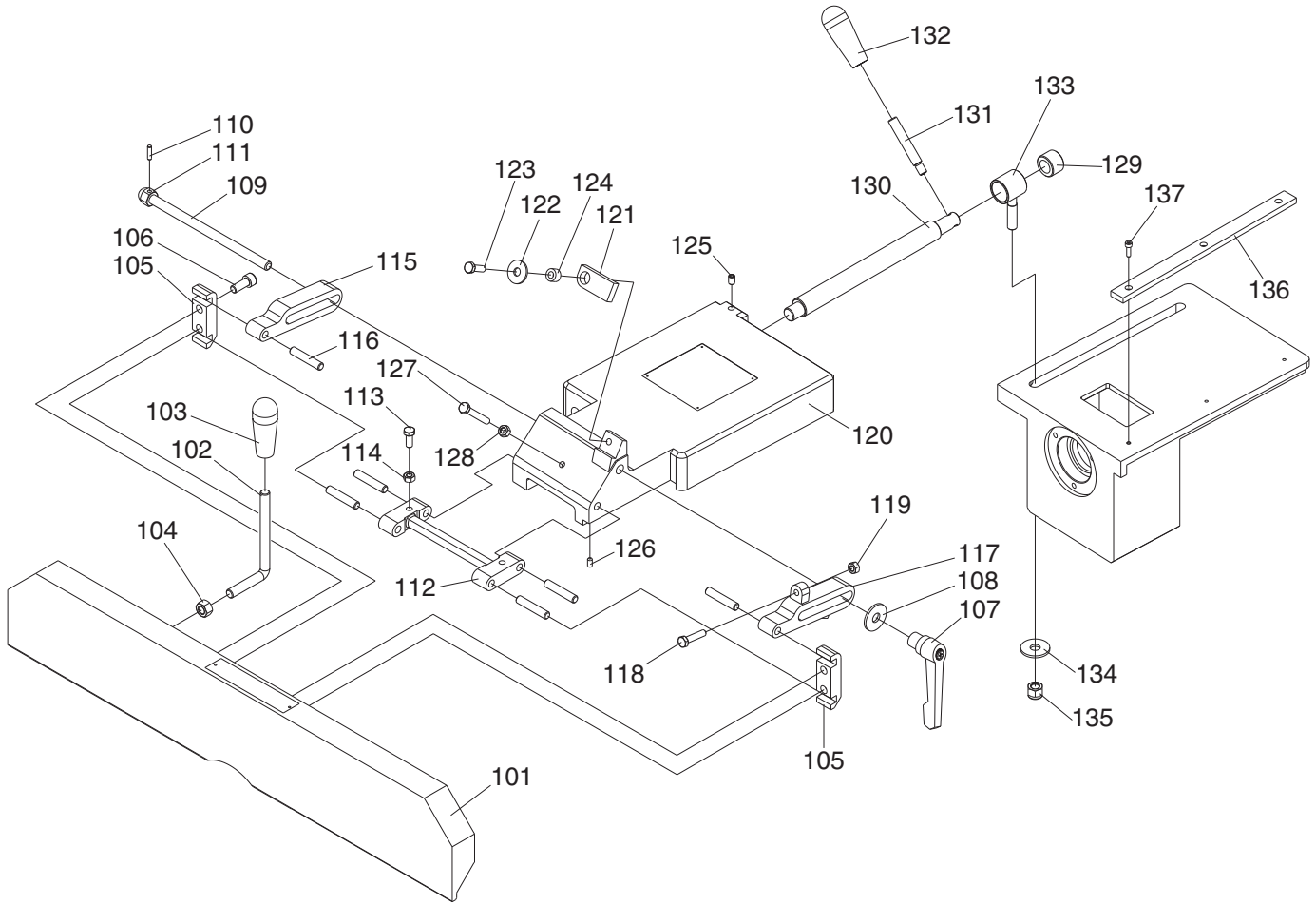


SECTION 9: PARTS

Fence



REF	PART #	DESCRIPTION
101	P0706101	FENCE
102	P0706102	HANDLE ROD
103	P0706103	HANDLE M12-1.75
104	PN09M	HEX NUT M12-1.75
105	P0706105	CLAMP
106	PCAP64M	CAP SCREW M10-1.5 X 25
107	P0706107	LOCK LEVER ASSY
108	PW06M	FLAT WASHER 12MM
109	P0706109	DOUBLE END THREADED ROD
110	PRP03M	ROLL PIN 5 X 20
111	P0706111	PINNED ACORN NUT M12-1.75
112	P0706112	SUPPORT BRACKET
113	PB09M	HEX BOLT M8-1.25 X 20
114	PN03M	HEX NUT M8-1.25
115	P0706115	LEFT BRACKET
116	P0706116	DOWEL PIN 10 X 52
117	P0706117	RIGHT BRACKET
118	PB20M	HEX BOLT M8-1.25 X 35
119	PN03M	HEX NUT M8-1.25

REF	PART #	DESCRIPTION
120	P0706120	SLIDING BRACKET
121	P0706121	BLOCK
122	PW01M	FLAT WASHER 8MM
123	PB07M	HEX BOLT M8-1.25 X 25
124	P0706124	COLLAR
125	PSS14M	SET SCREW M8-1.25 X 12
126	PSS04M	SET SCREW M6-1 X 12
127	PB30M	HEX BOLT M8-1.25 X 55
128	PN03M	HEX NUT M8-1.25
129	P0706129	COLLAR
130	P0706130	ECCENTRIC SHAFT
131	P0706131	HANDLE ROD
132	P0706103	HANDLE M12-1.75
133	P0706133	SLIDING BUSHING ASSY
134	PW06M	FLAT WASHER 12MM
135	PLN09M	LOCK NUT M12-1.75
136	P0706136	SLIDING RAIL
137	PCAP20M	CAP SCREW M5-.8 X 14



Table

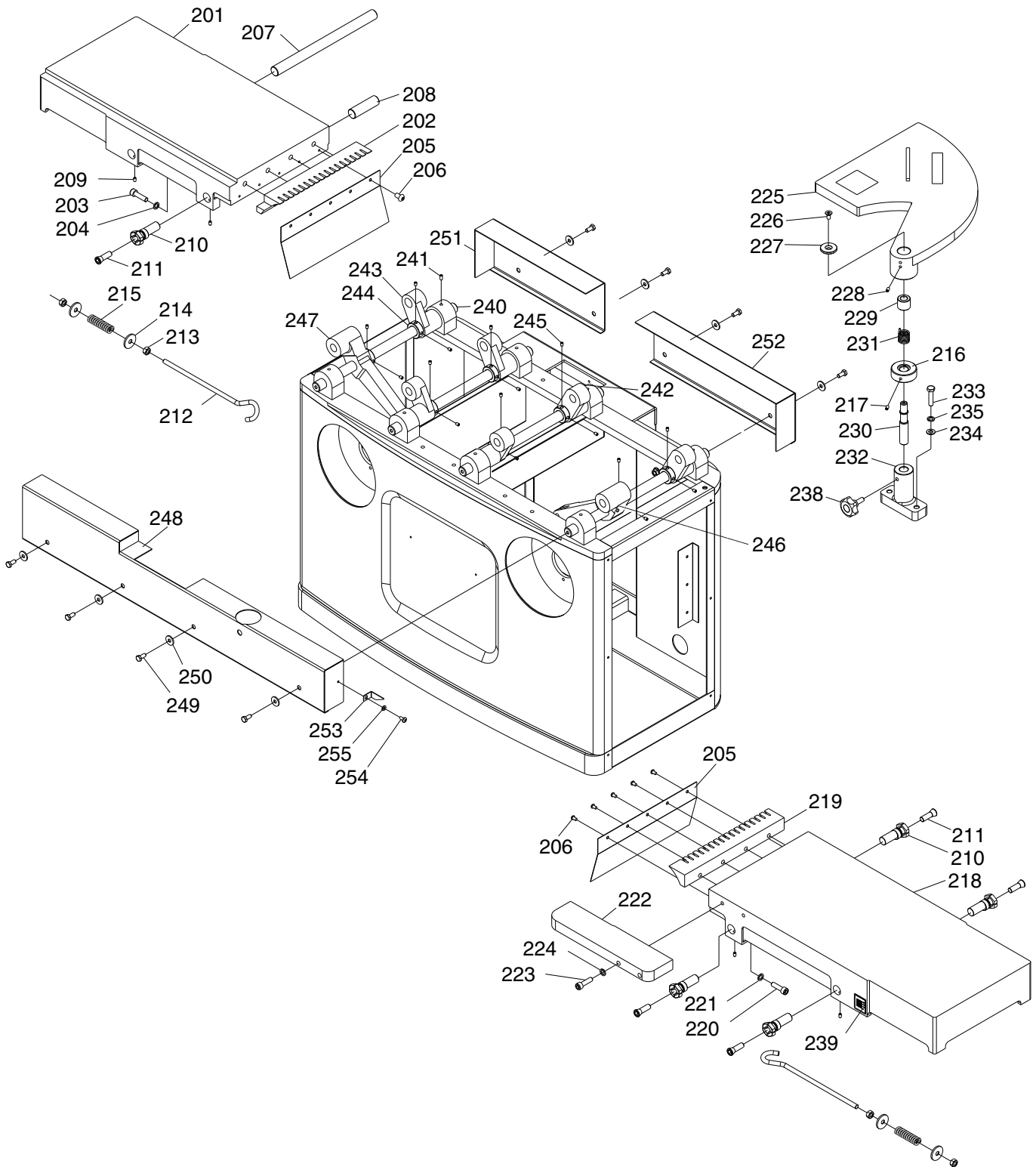


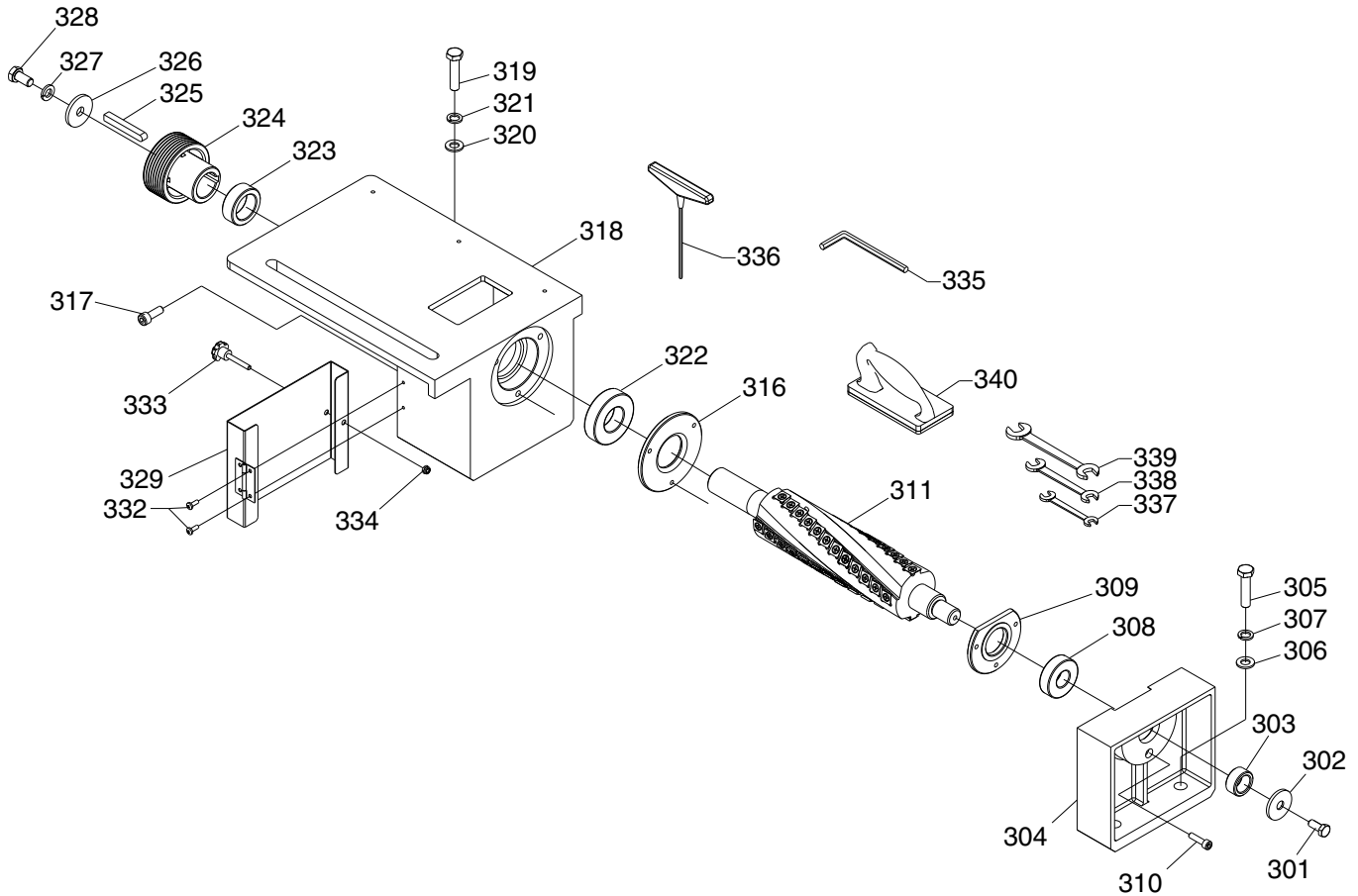
Table Parts List

REF	PART #	DESCRIPTION
201	P0706201	OUTFEED TABLE
202	P0706202	OUTFEED TABLE LIP
203	PCAP84M	CAP SCREW M10-1.5 X 35
204	PLW06M	LOCK WASHER 10MM
205	P0706205	DUST BOARD
206	PFH43M	FLAT HD SCR M6-1 X 10
207	P0706207	TABLE SPINDLE
208	P0706208	ROD (SHORT)
209	PSS14M	SET SCREW M8-1.25 X 12
210	P0706210	BED PIVOT PIN 20 X 72
211	PCAP77M	CAP SCREW M12-1.75 X 30
212	P0706212	J-ROD
213	PN02M	HEX NUT M10-1.5
214	PW04M	FLAT WASHER 10MM
215	P0706215	TENSION SPRING
216	P0706216	SHAFT COLLAR
217	PSS04M	SET SCREW M6-1 X 12
218	P0706218	INFEED TABLE
219	P0706219	INFEED TABLE LIP
220	PCAP84M	CAP SCREW M10-1.5 X 35
221	PLW06M	LOCK WASHER 10MM
222	P0706222	RABBETING ARM
223	PCAP72M	CAP SCREW M10-1.5 X 30
224	PLW06M	LOCK WASHER 10MM
225	P0706225	CUTTERHEAD GUARD
226	PFH23M	FLAT HD SCR M8-1.25 X 16
227	P0706227	GUARD WASHER 20 X 30 X 5

REF	PART #	DESCRIPTION
228	PSS04M	SET SCREW M6-1 X 12
229	P0706229	ADAPTER
230	P0706230	SHAFT
231	P0706231	TORSION SPRING
232	P0706232	SHAFT HOUSING
233	PCAP84M	CAP SCREW M10-1.5 X 35
234	PW04M	FLAT WASHER 10MM
235	PLW06M	LOCK WASHER 10MM
238	P0706238	KNOB
239	P0706239	DEPTH SCALE
240	P0706240	TABLE HEIGHT SPINDLE
241	PSS14M	SET SCREW M8-1.25 X 12
242	P0706242	SMALL TABLE SUPPORT
243	P0706243	BIG TABLE SUPPORT
244	P0706244	LOCK COLLAR
245	PSS20M	SET SCREW M8-1.25 X 8
246	P0706246	INFEED TABLE LIFTING ARM
247	P0706247	OUTFEED TABLE LIFTING ARM
248	P0706248	FRONT TABLE COVER
249	PB06M	HEX BOLT M8-1.25 X 12
250	PW01M	FLAT WASHER 8MM
251	P0706251	OUTFEED TABLE REAR COVER
252	P0706252	INFEED TABLE REAR COVER
253	P0706253	POINTER
254	PS14M	PHLP HD SCR M6-1 X 12
255	PW03M	FLAT WASHER 6MM



Cutterhead

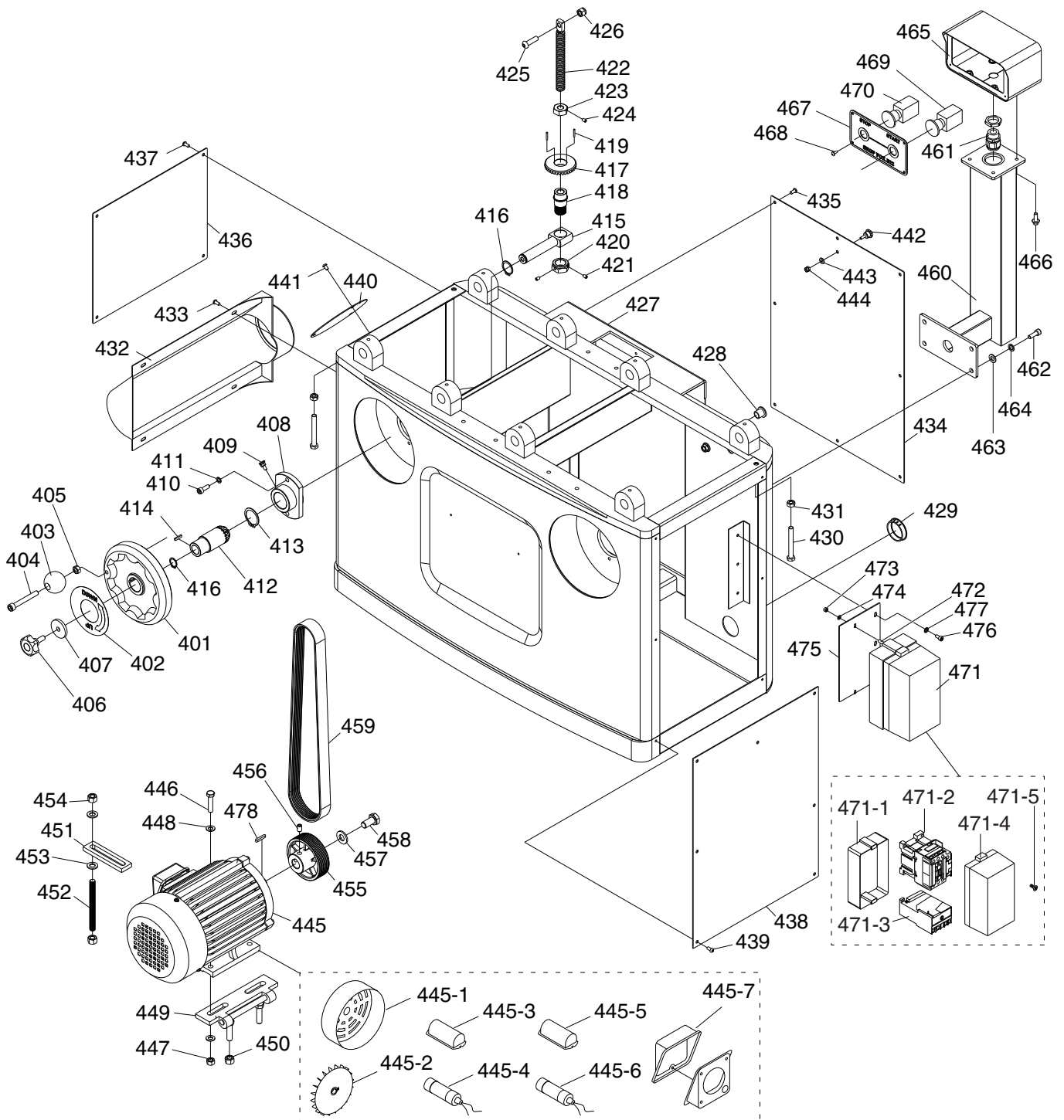


REF	PART #	DESCRIPTION
301	PB09M	HEX BOLT M8-1.25 X 20
302	PW01M	FLAT WASHER 8MM
303	P0706303	FRONT CUTTERHEAD BUSHING
304	P0706304	FRONT BEARING SUPPORT
305	PB14M	HEX BOLT M10-1.5 X 35
306	PW04M	FLAT WASHER 10MM
307	PLW06M	LOCK WASHER 10MM
308	P6204Z	BALL BEARING 6204Z
309	P0706309	FRONT BEARING COVER
310	PCAP06M	CAP SCREW M6-1 X 25
311	P0706311	CUTTERHEAD
316	P0706316	REAR BEARING COVER
317	PCAP06M	CAP SCREW M6-1 X 25
318	P0706318	REAR BEARING SUPPORT
319	PB14M	HEX BOLT M10-1.5 X 35
320	PW04M	FLAT WASHER 10MM
321	PLW06M	LOCK WASHER 10MM

REF	PART #	DESCRIPTION
322	P6206Z	BALL BEARING 6206Z
323	P0706323	REAR CUTTERHEAD BUSHING
324	P0706324	CUTTERHEAD PULLEY
325	P0706325	KEY C8 X 60
326	PW04M	FLAT WASHER 10MM
327	PLW06M	LOCK WASHER 10MM
328	PB74M	HEX BOLT M10-1.5 X 20
329	P0706329	REAR CUTTERHEAD DOOR
332	PHTEK15M	TAP SCREW M4-.7 X 10
333	P0706333	KNOB BOLT M5-.8 X 60
334	PLN02M	LOCK NUT M5-.8
335	PAW08M	HEX WRENCH 8MM
336	P0706336	T-HANDLE HEX WRENCH 4MM
337	PWR810	WRENCH 8/10MM
338	PWR1214	WRENCH 12/14MM
339	PWR1719	WRENCH 17/19MM
340	P0609352	PUSH BLOCK



Stand Assembly

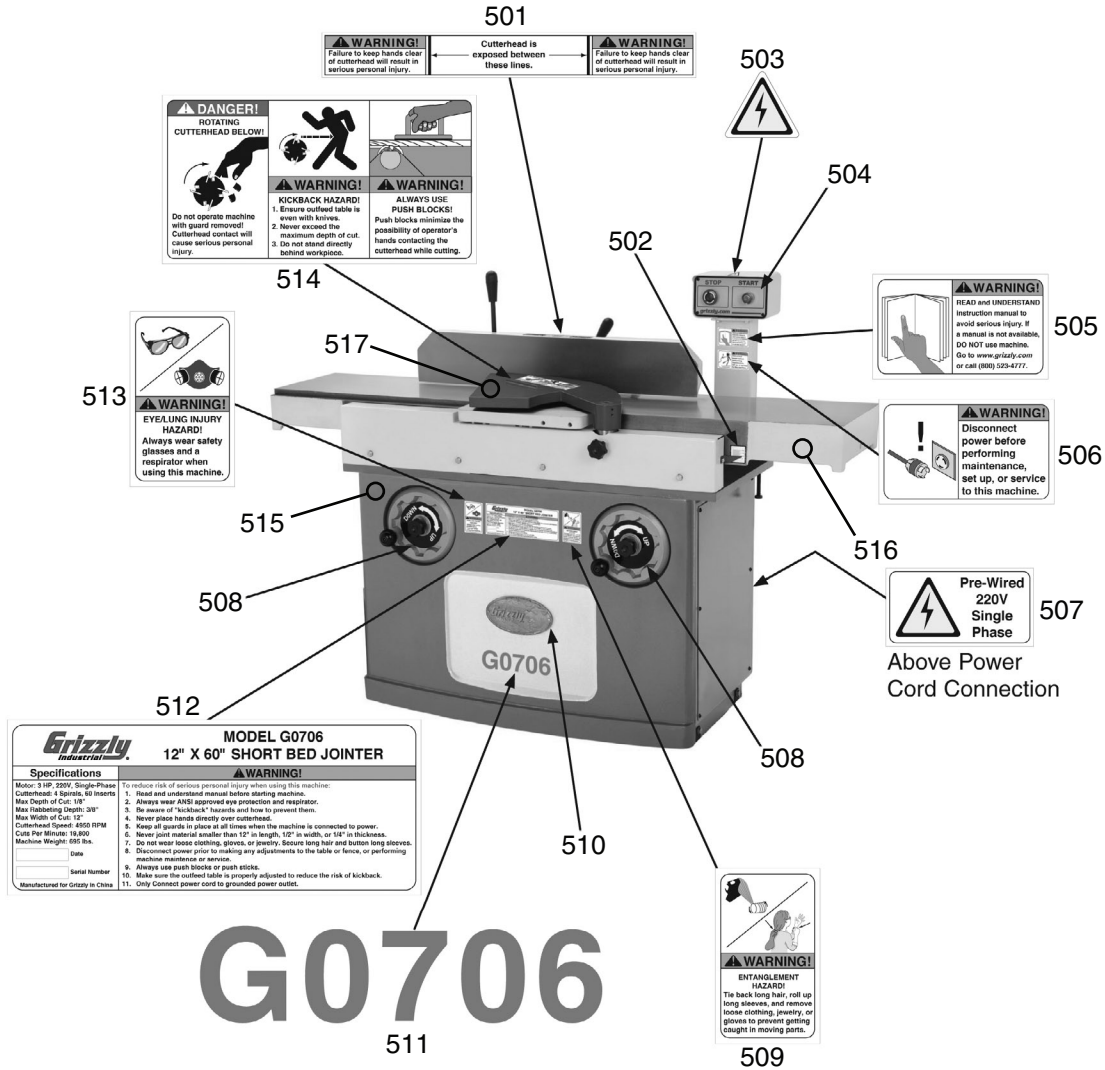


Stand Parts List

REF	PART #	DESCRIPTION	REF	PART #	DESCRIPTION
401	P0706401	HANDWHEEL	445-1	P0706445-1	MOTOR FAN COVER
402	P0706402	HANDWHEEL DIRECTION LABEL	445-2	P0706445-2	MOTOR FAN
403	P0706403	HANDWHEEL KNOB	445-3	P0706445-3	CAPACITOR COVER
404	PCAP71M	CAP SCREW M10-1.5 X 60	445-4	P0706445-4	S CAPACITOR 250M 250V 3.5"L X 1.75"D
405	PN02M	HEX NUT M10-1.5	445-5	P0706445-5	CAPACITOR COVER
406	P0706406	KNOB BOLT M10-1.5 X 25	445-6	P0706445-6	R CAPACITOR 40M 450V 3.5"L X 1.5"D
407	P0706407	HANDWHEEL WASHER 10 X 45 X 6MM	445-7	P0706445-7	JUNCTION BOX
408	P0706408	LIFTING FIXING SEAT	446	PB116M	HEX BOLT M10-1.5 X 45
409	P0706409	OILER 6MM	447	PN02M	HEX NUT M10-1.5
410	PCAP31M	CAP SCREW M8-1.25 X 25	448	PW04M	FLAT WASHER 10MM
411	PLW04M	LOCK WASHER 8MM	449	P0706449	MOTOR BRACKET
412	P0706412	GEARED COLLAR	450	PN09M	HEX NUT M12-1.75
413	PR68M	EXT RETAINING RING 40MM	451	P0706451	TENSION PLATE
414	PK20M	KEY 5 X 5 X 15	452	P0706452	TENSION ROD
415	P0706415	LIFTING ROD	453	PW06M	FLAT WASHER 12MM
416	PR10M	EXT RETAINING RING 22MM	454	PN09M	HEX NUT M12-1.75
417	P0706417	BEVEL GEAR	455	P0706455	MOTOR PULLEY
418	P0706418	LIFTING COLLAR	456	PSS75M	SET SCREW M10-1.5 X 16
419	PRP15M	ROLL PIN 3 X 8	457	P0706457	MOTOR PULLEY WASHER
420	P0706420	HEX COLLAR	458	PB07M	HEX BOLT M8-1.25 X 25
421	PSS02M	SET SCREW M6-1 X 6	459	P0706459	V-RIBBED BELT 8PK1290
422	P0706422	LIFTING GEAR ROD	460	P0706460	SWITCH BRACKET
423	P0706423	LIFTING GEAR ROD HEX COLLAR	461	P0706461	BALL STRAIN RELIEF
424	PSS02M	SET SCREW M6-1 X 6	462	PCAP64M	CAP SCREW M10-1.5 X 25
425	P0706425	FLAT HD SCR M10-1.5 X 45	463	PW04M	FLAT WASHER 10MM
426	PLN05M	LOCK NUT M10-1.5	464	PLW06M	LOCK WASHER 10MM
427	P0706427	CABINET	465	P0706465	SWITCH BOX
428	P0706428	WIRE CLIP	466	P0706466	FLANGE SCREW M6-1 X 16
429	P0706429	BIG STRAIN RELIEF	467	P0706467	CONTROL PANEL FACE
430	P0706430	HEX BOLT M10-1.5 X 130	468	PS07M	PHLP HD SCR M4-.7 X 8
431	PN02M	HEX NUT M10-1.5	469	P0706469	START BUTTON
432	P0706432	DUST PORT	470	P0706470	STOP BUTTON
433	PFH02M	FLAT HD SCR M6-1 X 12	471	P0706471	MAG SWITCH ASSEMBLY MS-12D
434	P0706434	REAR ACCESS DOOR	471-1	P0706471-1	REAR SWITCH CASE
435	PFH02M	FLAT HD SCR M6-1 X 12	471-2	P0706471-2	CONTACTOR NHD C-12D 220V
436	P0706436	OUTFEED ACCESS DOOR	471-3	P0706471-3	OL RELAY NHD NTH-17 14-17A
437	PFH02M	FLAT HD SCR M6-1 X 12	471-4	P0706471-4	FRONT SWITCH CASE
438	P0706438	INFEED ACCESS DOOR	471-5	P0706471-5	SWITCH CASE SCREW
439	PFH02M	FLAT HD SCR M6-1 X 12	472	PS06M	PHLP HD SCR M5-.8 X 20
440	P0706440	DUST PORT COVER	473	PN06M	HEX NUT M5-.8
441	PFH02M	FLAT HD SCR M6-1 X 12	474	PW02M	FLAT WASHER 5MM
442	P0706442	BACK COVER KNOB BOLT M5-.8 X 16	475	P0706475	SWITCH PLATE
443	PW03M	FLAT WASHER 6MM	476	PCAP04M	CAP SCREW M6-1 X 10
444	PLN03M	LOCK NUT M6-1	477	PW03M	FLAT WASHER 6MM
445	P0706445	MOTOR 3HP 220V 1-PH	478	PK20M	KEY 5 X 5 X 15



Labels & Cosmetic



REF	PART #	DESCRIPTION
501	P0609402	CUTTERHEAD FENCE LABEL
502	P0706502	CUTTING DEPTH SCALE
503	PLABEL-14	ELECTRICITY LABEL
504	P0706467	CONTROL PANEL FACE
505	PLABEL-12A	READ MANUAL LABEL
506	PLABEL-63	DISCONNECT 220V LABEL
507	P0706507	PRE-WIRED 220V 1-PH LABEL
508	P0706402	HANDWHEEL DIRECTION LABEL
509	PLABEL-55	ENTANGLEMENT LABEL

REF	PART #	DESCRIPTION
510	G8589	GRIZZLY NAME PLATE-LARGE
511	P0706511	MODEL NUMBER LABEL
512	P0706512	MACHINE ID LABEL
513	PLABEL-57	GLASSES/RESPIRATOR LABEL
514	PLABEL-51	CUTTERHEAD WARNING LABEL
515	PPAINT-1	GRIZZLY GREEN TOUCH UP PAINT
516	PPAINT-11	PUTTY TOUCH UP PAINT
517	PPAINT-16	RED TOUCH UP PAINT

WARNING

Safety labels warn about machine hazards and ways to prevent injury. The owner of this machine **MUST** maintain the original location and readability of the labels on the machine. If any label is removed or becomes unreadable, **REPLACE** that label before using the machine again. Contact Grizzly at (800) 523-4777 or www.grizzly.com to order new labels.

