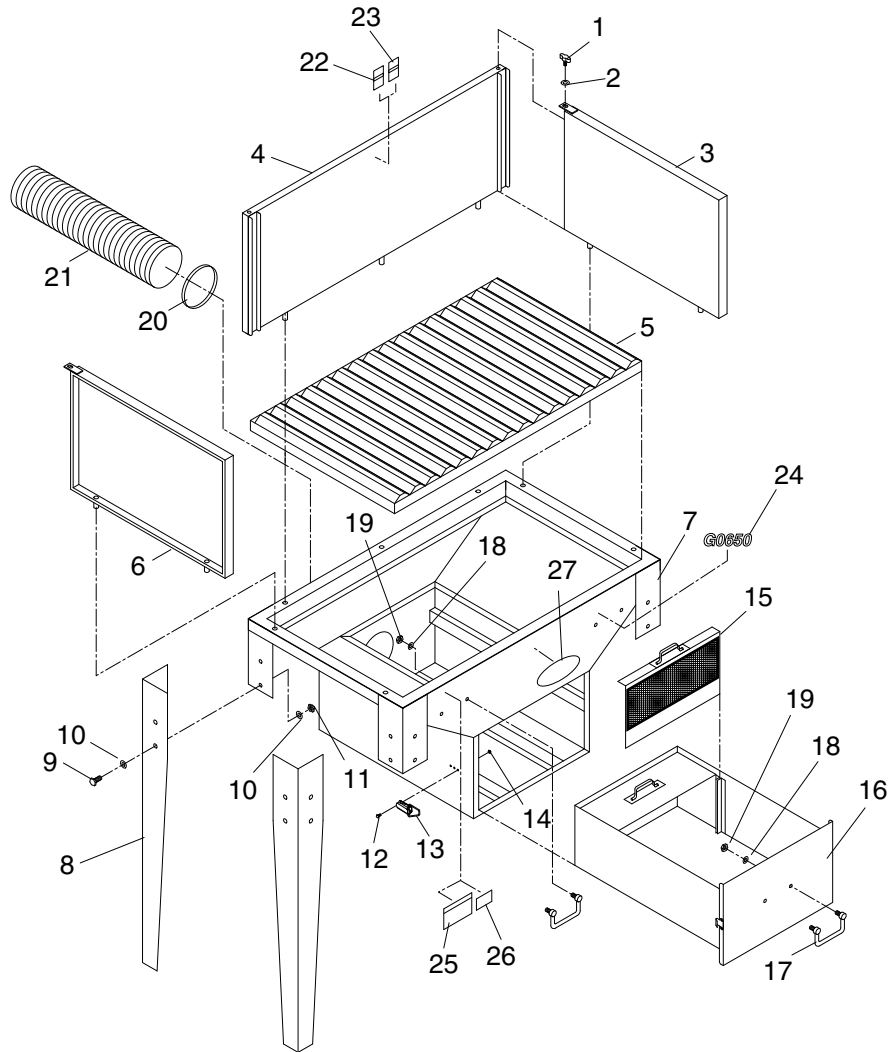


Parts Breakdown



REF	PART #	DESCRIPTION
1	P0650001	THUMB SCREW 5/16-18 X 3/4
2	PW07	FLAT WASHER 5/16"
3	P0650003	RIGHT SPARK SHIELD
4	P0650004	REAR SPARK SHIELD
5	P0650005	VENTED WORK TABLE
6	P0650006	LEFT SPARK SHIELD
7	P0650007	CABINET
8	P0650008	LEG
9	PB21	HEX BOLT 3/8-16 X 3/4
10	PW02	FLAT WASHER 3/8
11	PN08	HEX NUT 3/8-16
12	PS08M	PHLP HD SCR M5-.8 X 12
13	P0650013	SPRING LATCH
14	PN06M	HEX NUT M5-.8

REF	PART #	DESCRIPTION
15	P0650015	SLAG SCREEN
16	P0650016	SLAG DRAWER
17	P0650017	HANDLE
18	PW02	FLAT WASHER 3/8
19	PN08	HEX NUT 3/8-16
20	P0650020	HOSE CLAMP 5"
21	P0650021	5" SUCTION HOSE
22	PLABEL-39	RESPIRATOR LABEL
23	PLABEL-12	READ MANUAL LABEL
24	P0650024	MODEL NUMBER LABEL
25	P0650025	DATA LABEL
26	P0650026	GENERAL WARNING LABEL
27	G9987	LOGO PLATE

